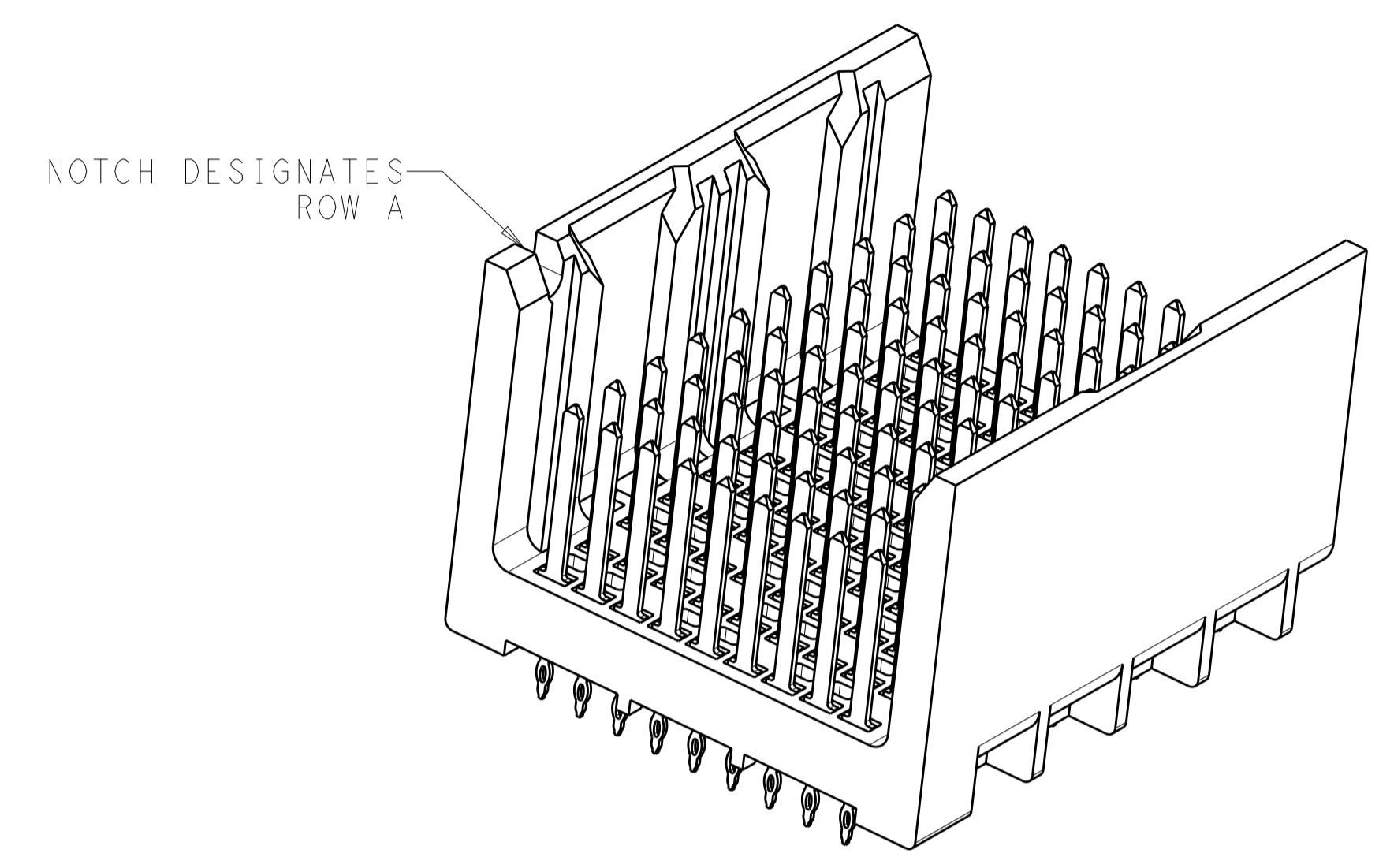
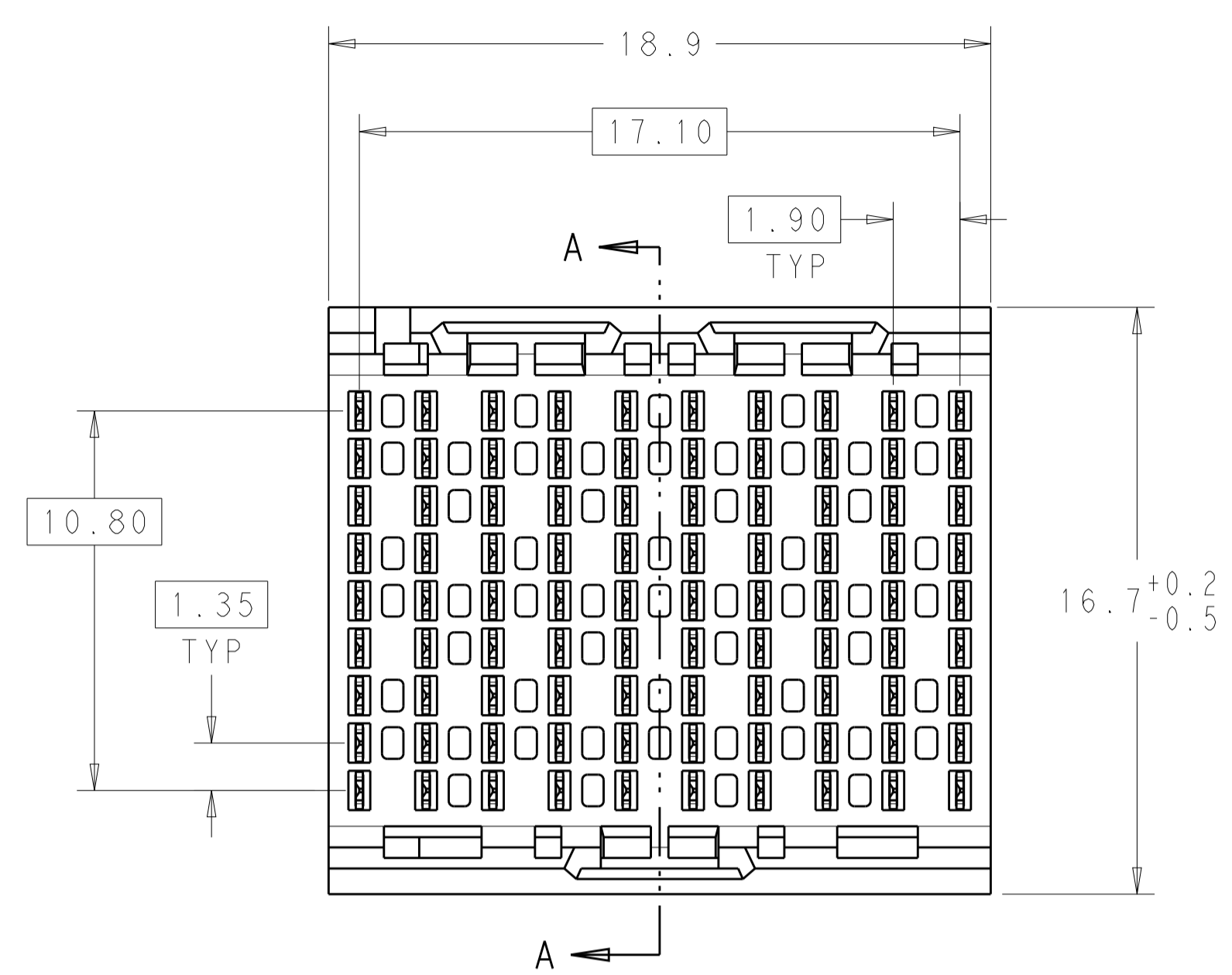
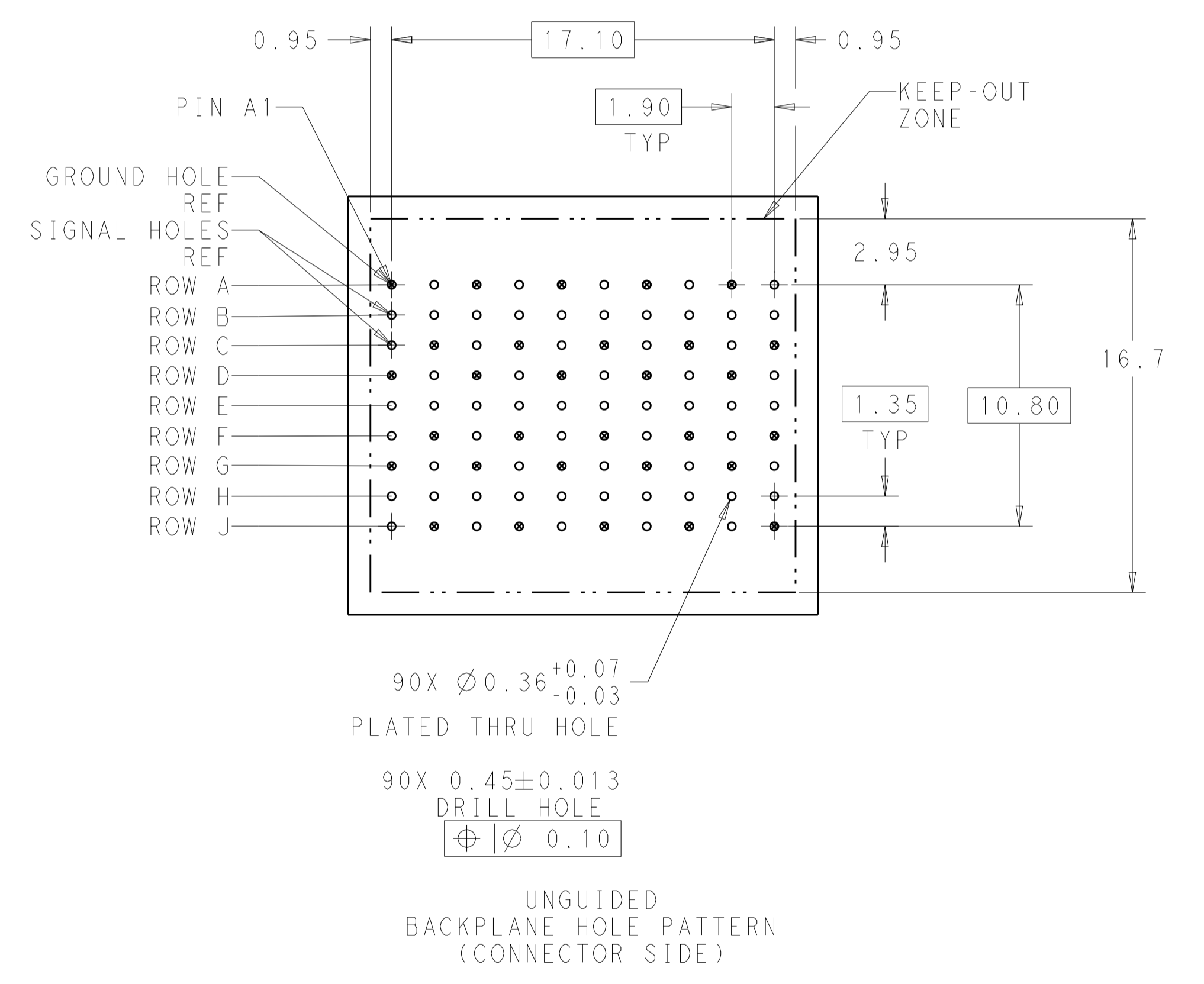
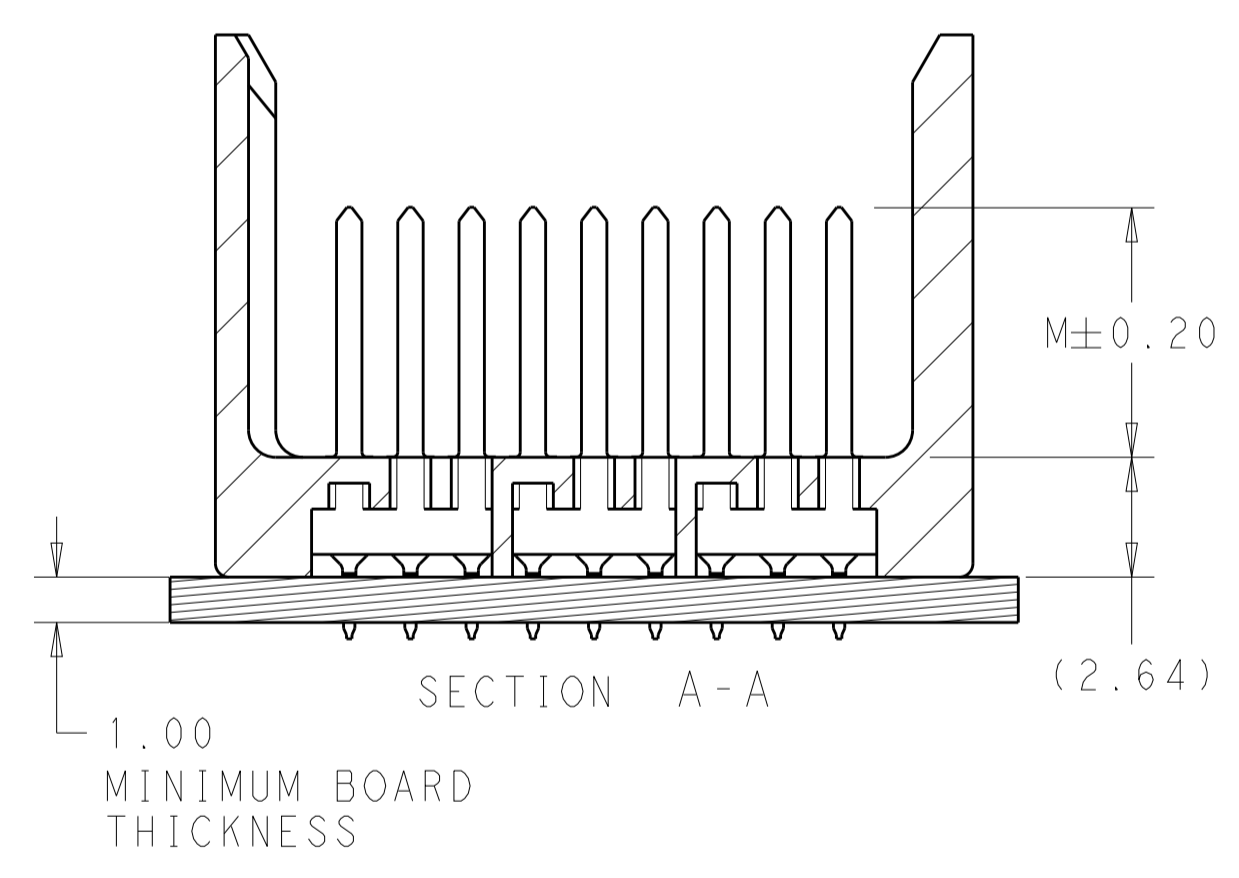
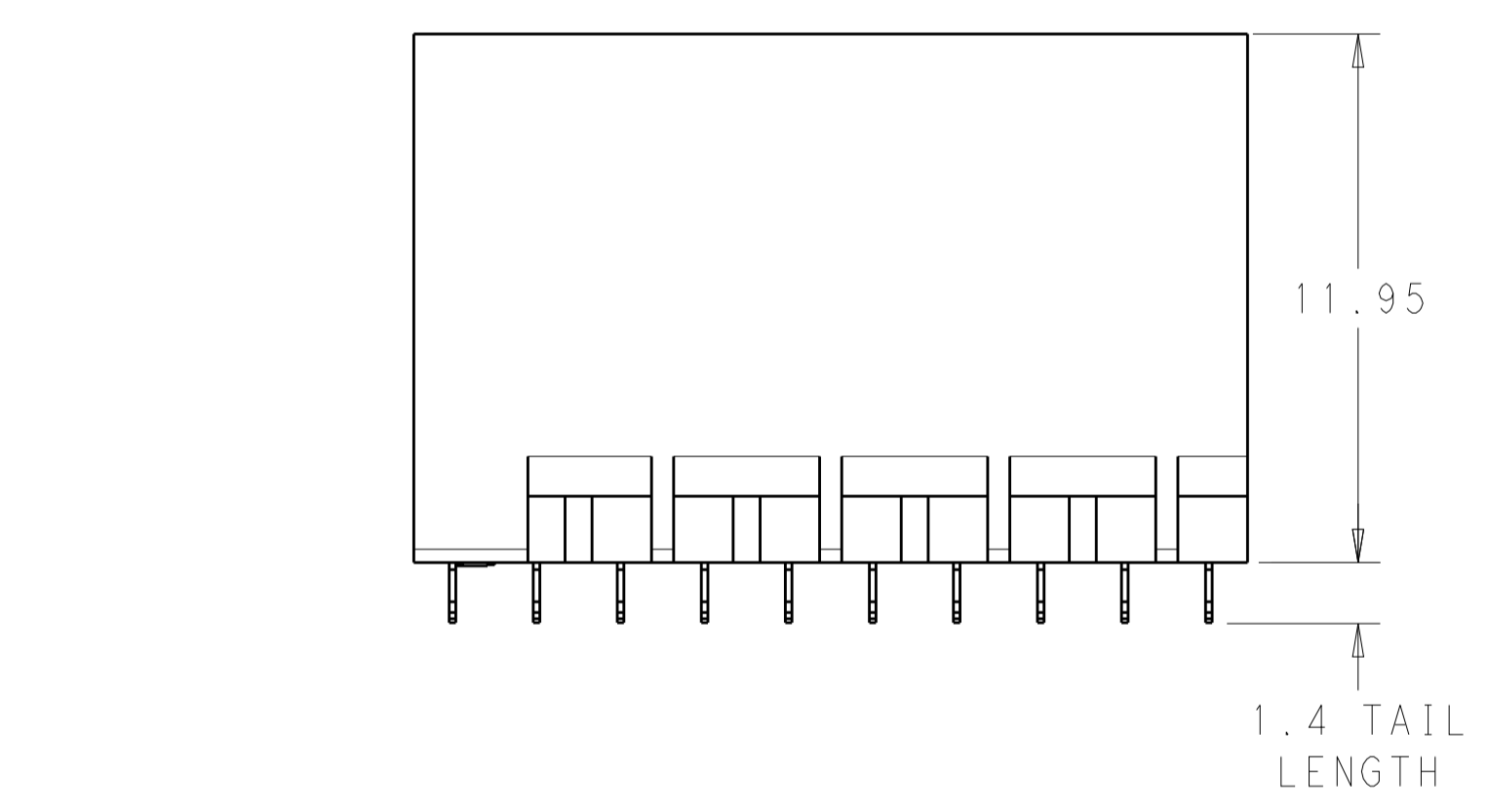


LOC	DIST	REVISIONS			
P	LTN	DESCRIPTION	DATE	DMN	APVD
E1		REVISED PER ECO-17-008265	19MAY2017	A. S.	S. Y.



⚠ MATERIAL:  
HOUSING: LCP, GLASS FILLED, UL94V-0.  
TERMINALS: HIGH PERFORMANCE COPPER ALLOY.

⚠ FINISH:  
30μ" MIN GOLD IN CONTACT AREA. SELECTIVE TIN  
ON PCB TAILS, NICKEL OVERALL.



⚠	5.5	2007788-6
⚠	4.9	2007788-5
⚠	4.5	2007788-4
⚠	5.5	2007788-3
⚠	4.9	2007788-2
⚠	4.5	2007788-1
FINISH	DIM M	PART NUMBER

REFER TO WWW.TE.COM  
FOR PRODUCT AVAILABILITY

THIS DRAWING IS A CONTROLLED DOCUMENT.		DMN J. K. SHOBER 23DECT11	TE Connectivity
DIMENSIONS:		CHK J. EARY 23DECT11	
mm	TOLERANCES UNLESS OTHERWISE SPECIFIED:	APVD J. EARY 23DECT11	NAME IMPACT, 3 PAIR, 10 COLUMN, HEADER
	0 PLC ±	PRODUCT SPEC	IMPACT, 3 PAIR, 10 COLUMN, HEADER
	1 PLC ±0.25	APPLICATION SPEC	UNGUIDED, OPEN END WALL
	2 PLC ±0.13		SIGNAL MODULE, 0.36 PTH
	3 PLC ±		SIZE CAGE CODE DRAWING NO RESTRICTED TO
	4 PLC ±		A100779C=2007788
	ANGLES ±	WEIGHT	SCALE 6:1 SHEET 1 OF 1 REV E1
MATERIAL	FINISH SEE TABLE	CUSTOMER DRAWING	

单击下面可查看定价，库存，交付和生命周期等信息

[>>TE Connectivity\(泰科\)](#)