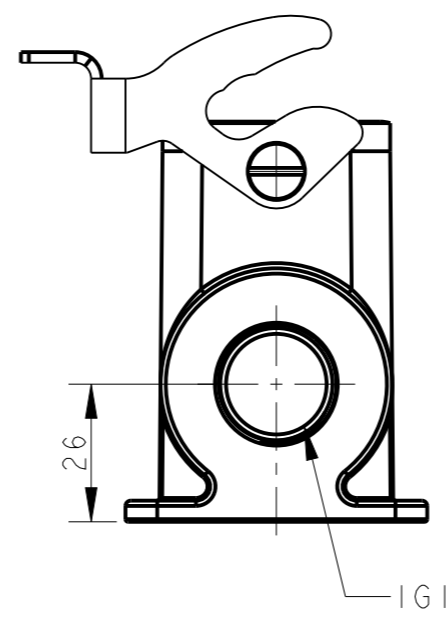
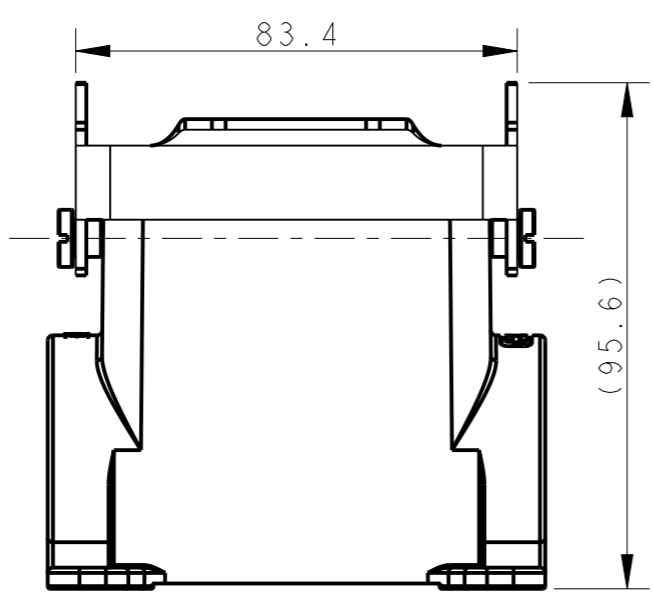
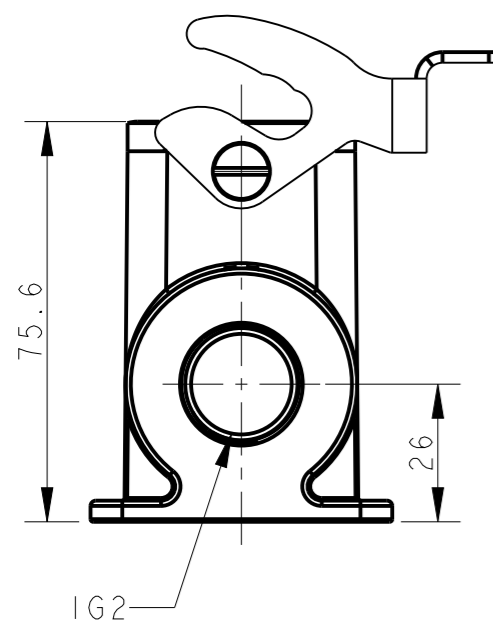
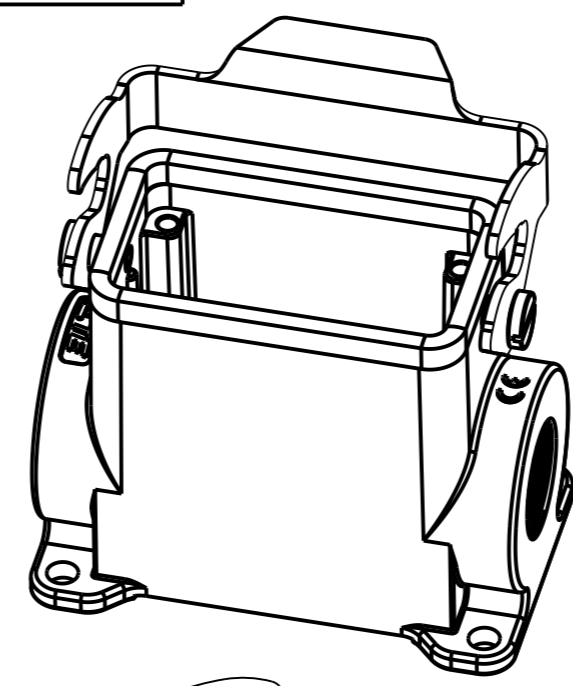
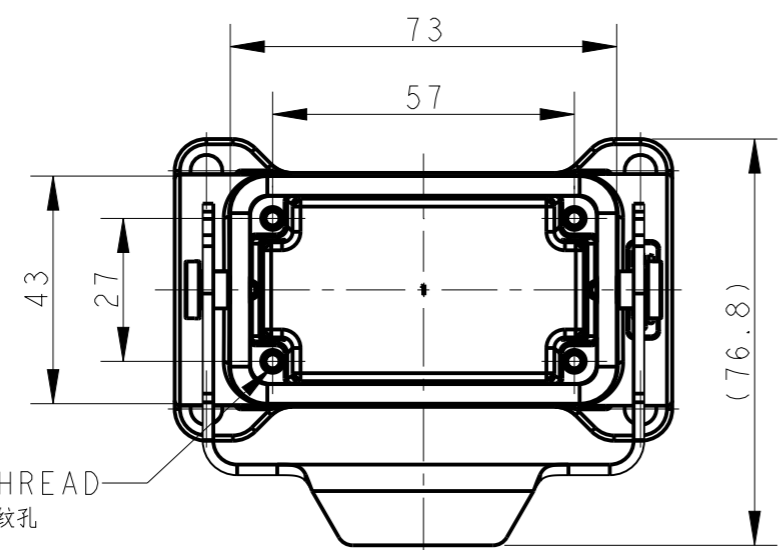


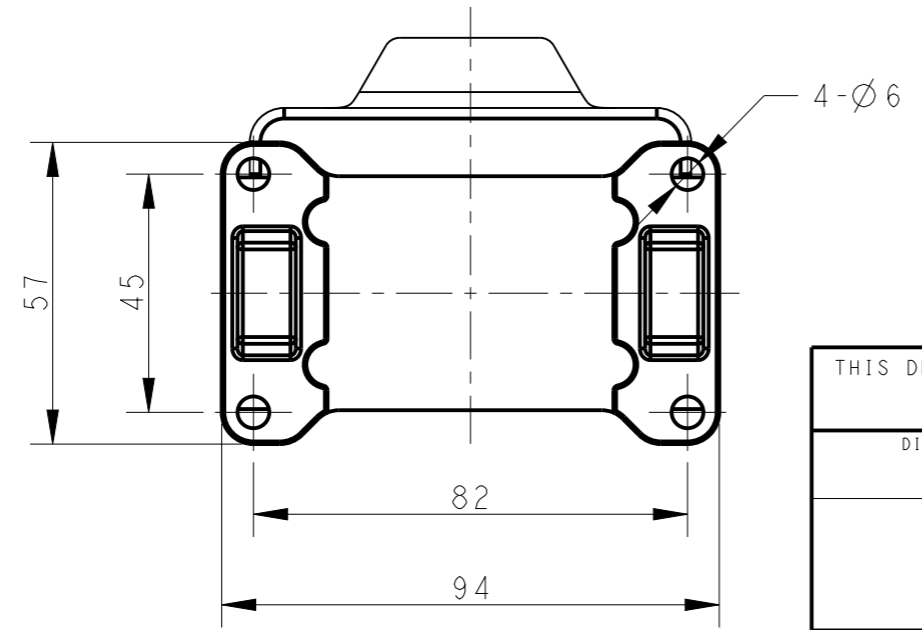
THIS DRAWING IS UNPUBLISHED. RELEASED FOR PUBLICATION 20
 © COPYRIGHT 20 BY - ALL RIGHTS RESERVED.

| REVISIONS | | | | | |
|-----------|-----|-----------------|-----------|-----|------|
| P | LTR | DESCRIPTION | DATE | DWN | APVD |
| | A | INITIAL RELEASE | 08JUL2015 | DL | CW |
| | B | ECR-20-008181 | 16JUL2020 | WQR | CW |




NOTES:
 1. TECHNICAL CHARACTERISTICS:
 BODY MATERIAL: DIE CAST ALUMINIUM ALLOY
 SURFACE TREATMENT: POWDER-COATED, GRAY
 DEGREE OF PROTECTION: IP65 (MATED)

注释:
 1. 技术参数:
 主体材料: 铝合金
 表面处理: 粉末喷涂, 灰色
 防护等级: IP65(配合)



| | | | |
|----------------------|---------------------------|------|------|
| TI650103121-000 | H10B-SGRH-LB-PG21 | PG21 | - |
| TI650103129-000 | H10B-SGRH-LB-PG29 | PG29 | - |
| TI650103132-000 | H10B-SGRH-LB-M32 | M32 | - |
| TI650103221-000 | H10B-SGRH-LB-2PG21 | PG21 | PG21 |
| TI650103225-000 | H10B-SGRH-LB-2M25 | M25 | M25 |
| TI650103229-000 | H10B-SGRH-LB-2PG29 | PG29 | PG29 |
| TI650103232-000 | H10B-SGRH-LB-2M32 | M32 | M32 |
| TI650102532-000 | H10B-SGRH-LB-M25/M32 | M25 | M32 |
| ASSEMBLY PART NUMBER | ASSEMBLY PART DESCRIPTION | IG1 | IG2 |

| | | | | | | |
|---|----------|-----------------------------|---|-------------|-----------------------------|---------------|
| THIS DRAWING IS A CONTROLLED DOCUMENT. | | DWN 08JUL2015 DAVID LI |  TE Connectivity NAME H10B-SGRH-LB-PG/M | | | |
| DIMENSIONS: mm | | CHK 08JUL2015 CHRIS WANG | | | | |
| TOLERANCES UNLESS OTHERWISE SPECIFIED: | | APVD 08JUL2015 XU XIANG | | | | |
| 0 PLC ±- 1 PLC ±- 2 PLC ±- 3 PLC ±- 4 PLC ±- ANGLES ±- | | PRODUCT SPEC 108-137013 | | | | |
| MATERIAL TBD | FINISH - | APPLICATION SPEC 114-137013 | SIZE A3 | CAGE CODE - | DRAWING NO C-TI65010XXXX000 | RESTRICTED TO |
| CUSTOMER DRAWING | | WEIGHT - | SCALE 7:10 | | SHEET 1 OF 1 | REV B |

单击下面可查看定价，库存，交付和生命周期等信息

[>>TE Connectivity\(泰科\)](#)