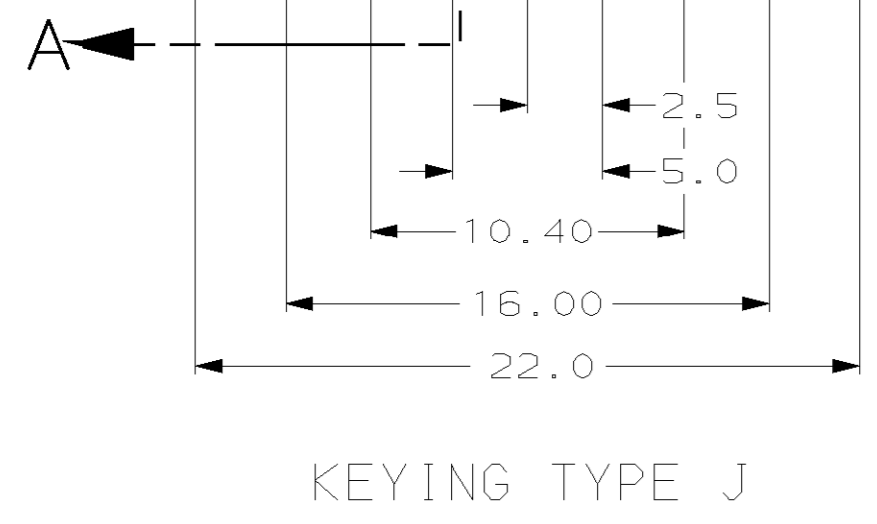
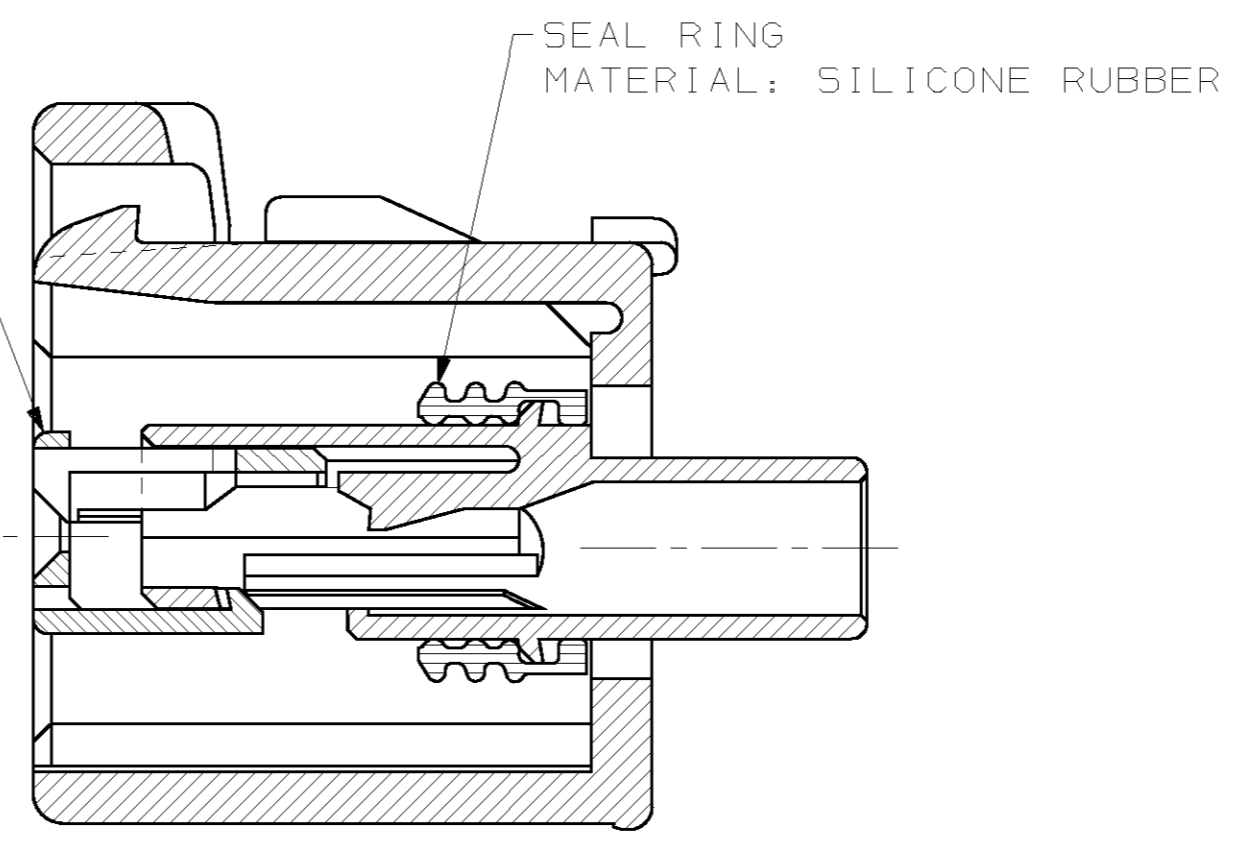
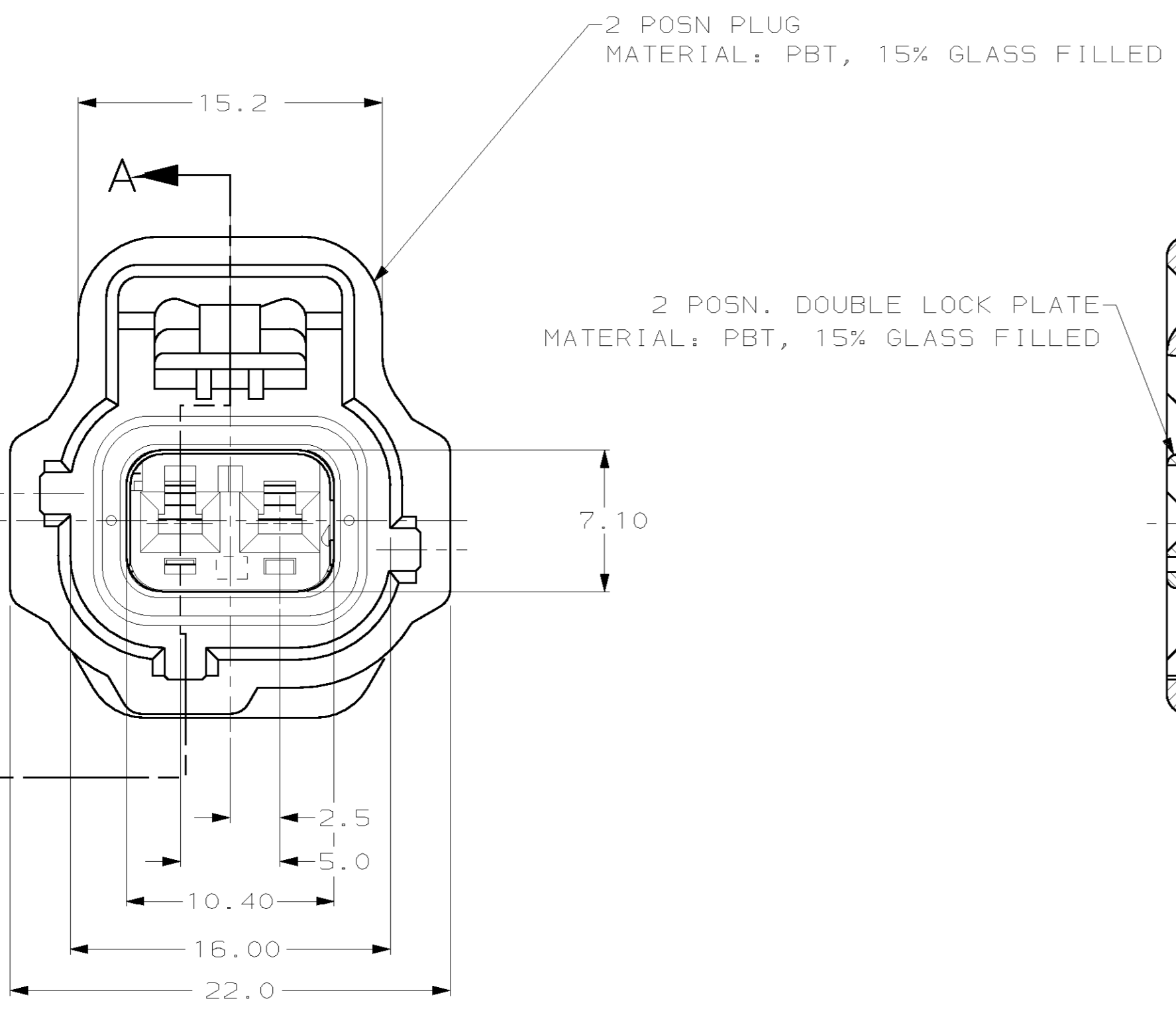
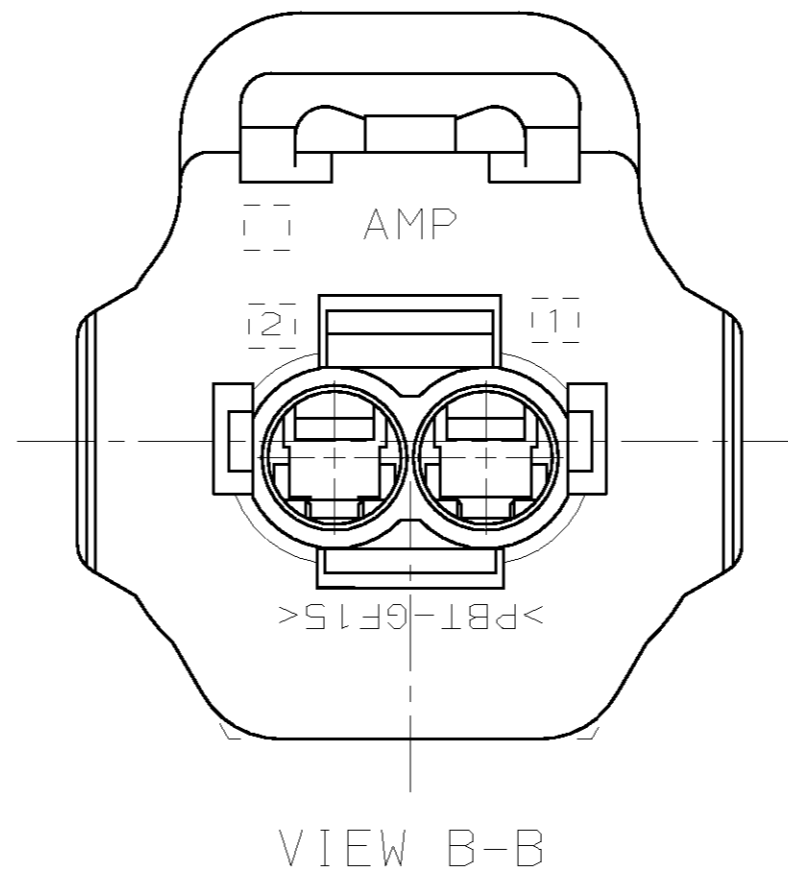
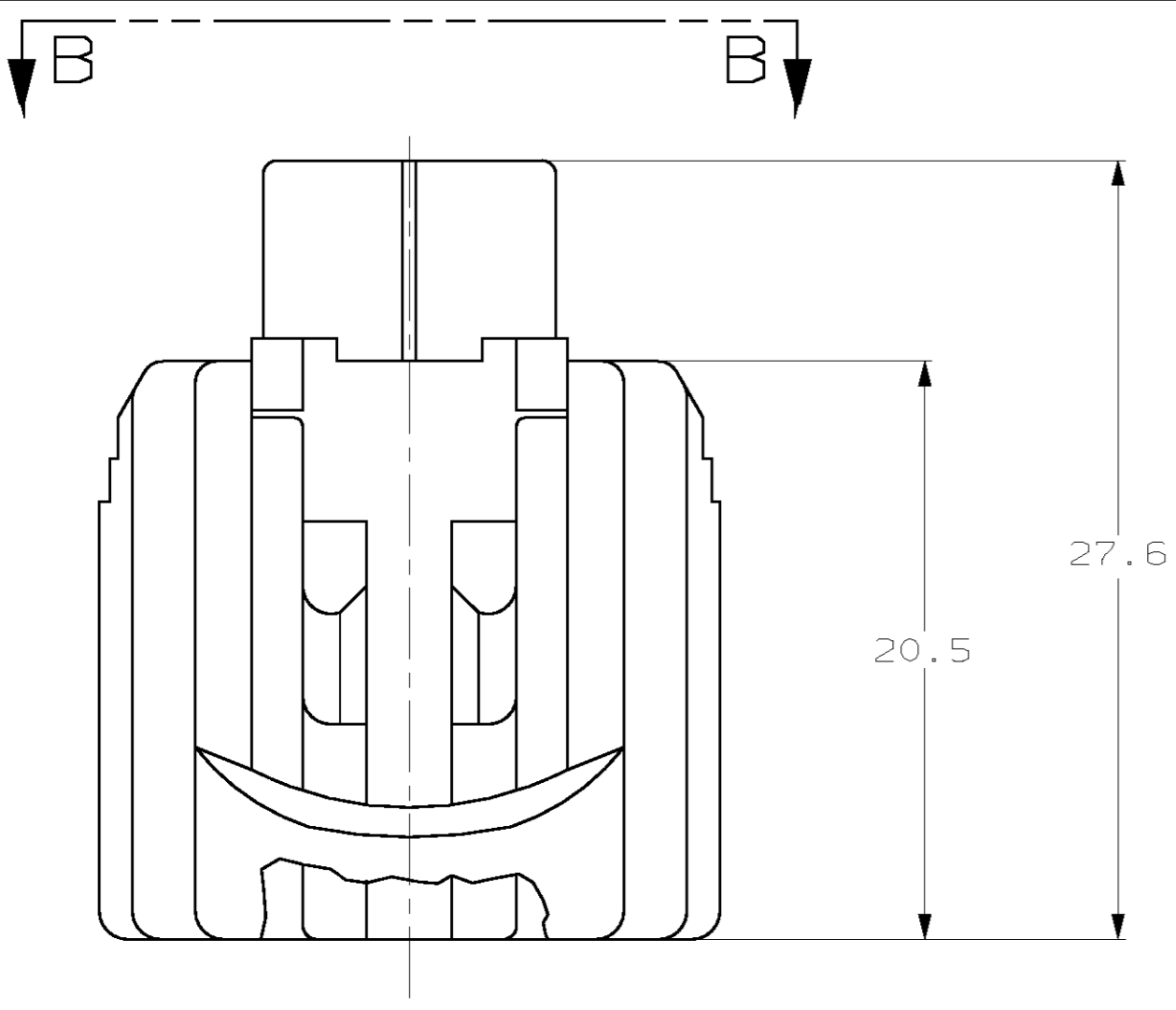


THIS DRAWING IS UNPUBLISHED. RELEASED FOR PUBLICATION .19
 (C) COPYRIGHT 19 BY AMP INCORPORATED. ALL RIGHTS RESERVED.

LOC	DIST	REVISIONS					
		P	LTR	DESCRIPTION	DATE	DWN	APVD
G	16			RELEASED, WAS 92-4072-2313-9	-		-
				REV PER ECN 0720-0290-94	10-14-94	KDL	JPK
				REV PER ECN 0720-0446-94	12/16/94	KW	JK
				REV PER ECN 0K50-0003-96	08/13/96	KW	JK
				REV PER EC# 0K40-0140-00	7-10-00	PC	GI



<small>THIS DRAWING IS A CONTROLLED DOCUMENT FOR AMP INCORPORATED. IT IS SUBJECT TO CHANGE AND THE CONTROLLING ENGINEERING ORGANIZATION SHOULD BE CONTACTED FOR THE LATEST REVISION.</small>		DWN	KD LYTLE	3/28/94
<small>TOLERANCES UNLESS OTHERWISE SPECIFIED:</small>		CHK	JP KUNKLE	4/19/94
<small>APVD</small>		-		
<small>PRODUCT SPEC</small>		-		
<small>APPLICATION SPEC</small>		-		
<small>WEIGHT</small>		-		
<small>CUSTOMER DRAWING</small>		-		

BLACK	184016-1	
PLUG COLOR	PART NO	
AMP AMP Incorporated Harrisburg, PA 17105-3608		
1 X 2 PLG ASY KEY J-C3		
SIZE	CAGE CODE	DRAWING NO
A2	00779	C-184016
SCALE	SHEET	OF
4:1	1	1
	REV	
	D	

184016

单击下面可查看定价，库存，交付和生命周期等信息

[>>TE Connectivity\(泰科\)](#)