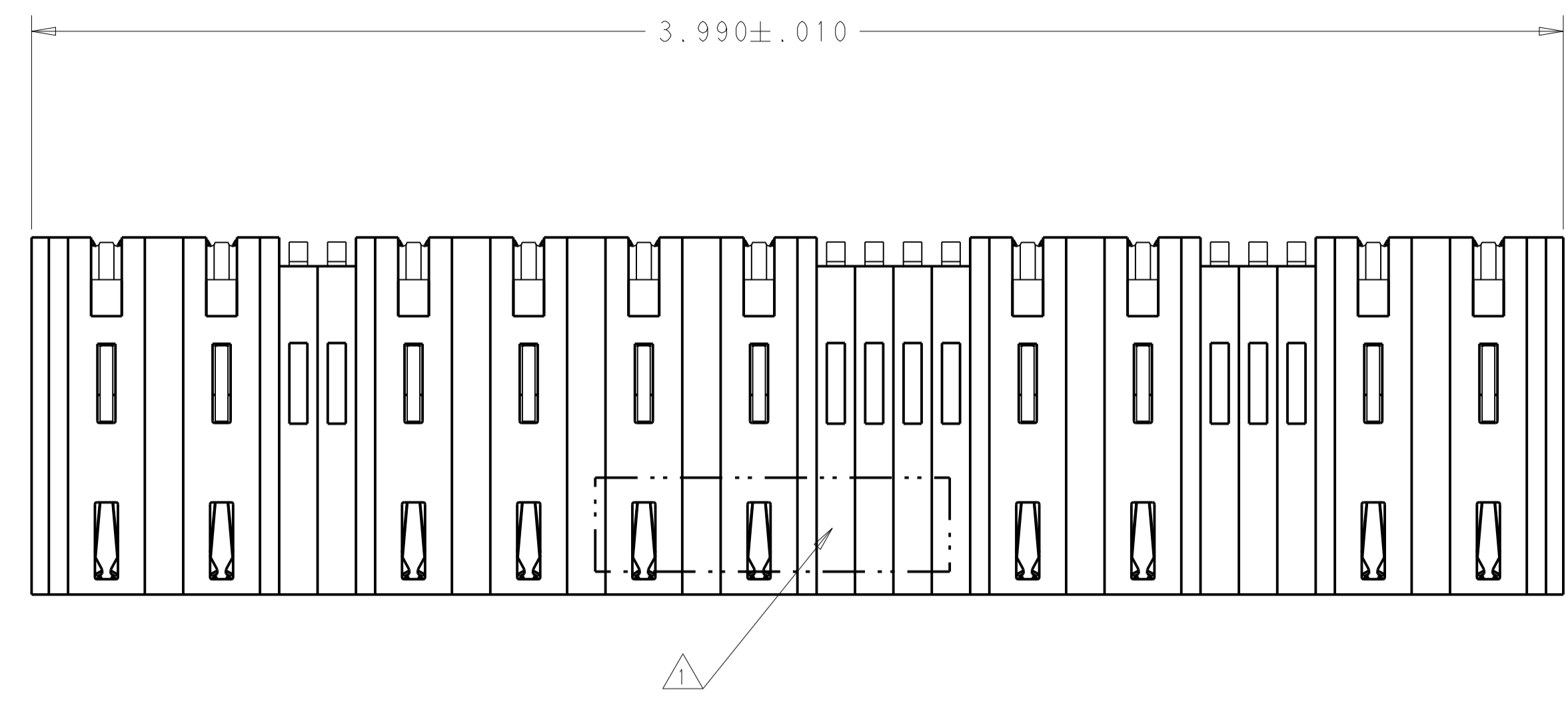
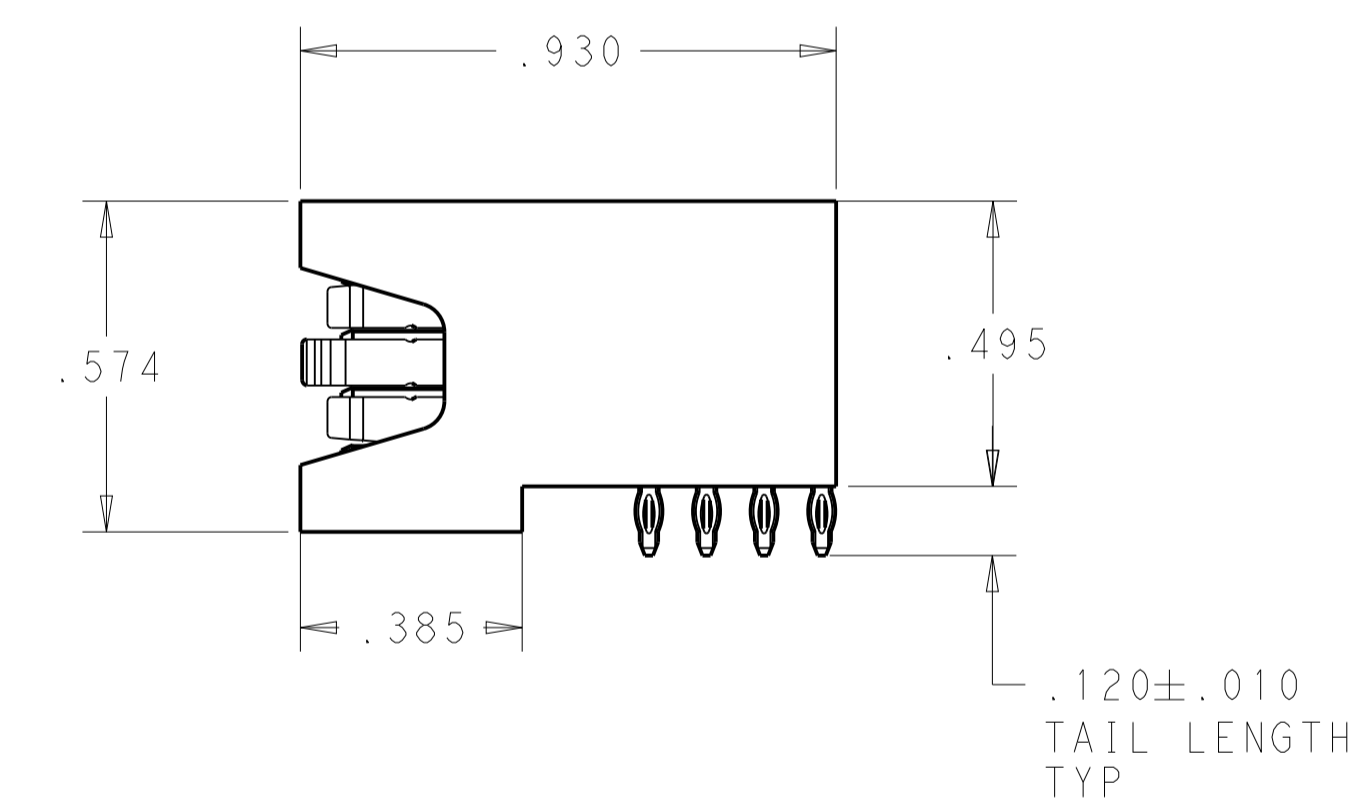
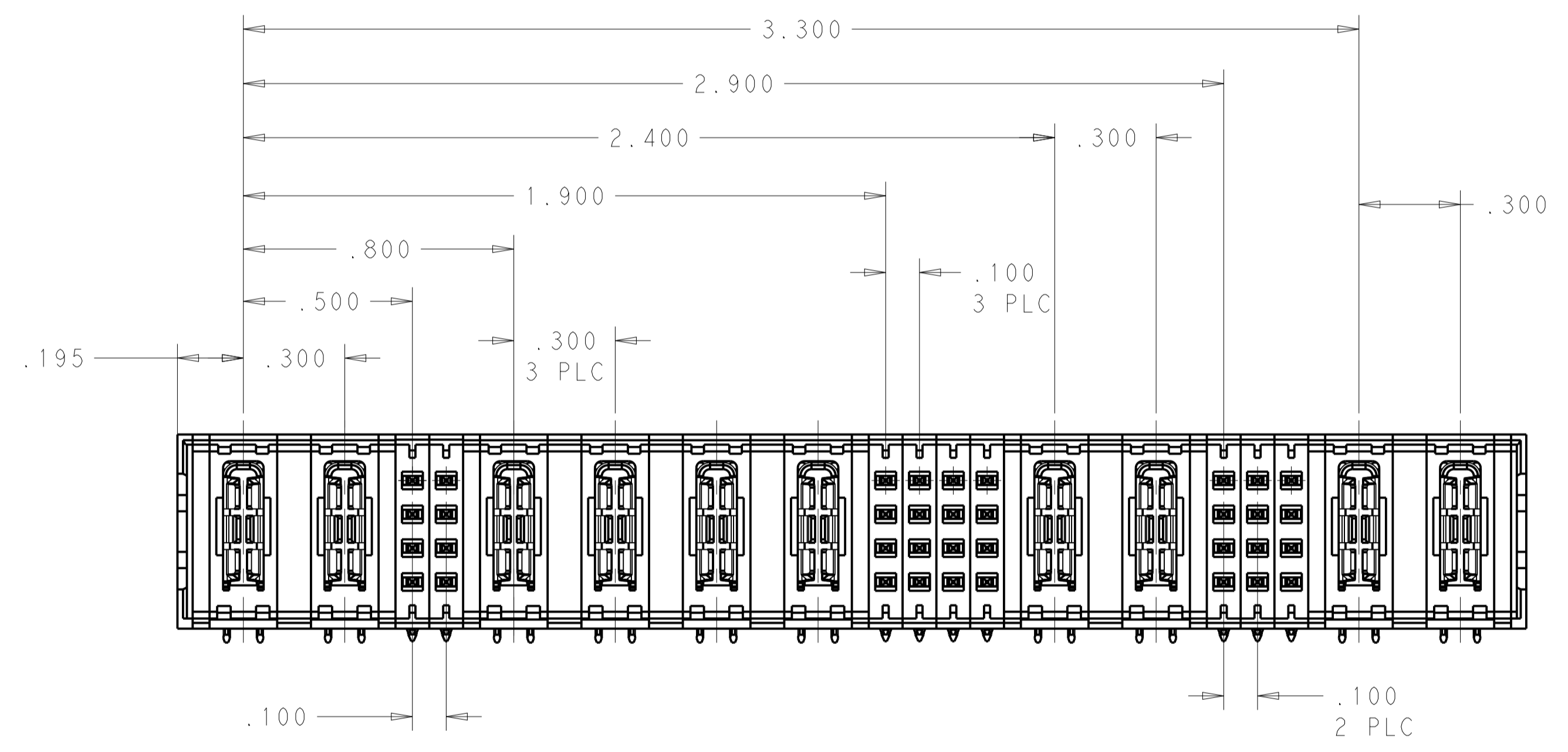


| REVISIONS |     |             |           |          |
|-----------|-----|-------------|-----------|----------|
| P.        | LTN | DESCRIPTION | DATE      | DWN APVD |
| A1        |     | REVISED     | 28SEP2014 | CZ SZ    |
|           |     |             |           |          |
|           |     |             |           |          |



- ① "AMP", PART NUMBER, AND DATECODE TO BE MARKED IN AREA SHOWN. PARTS UNDER 2.00 LONG MAY BE MARKED ON BOTH SIDES.
- ② MATERIAL: HOUSING - GLASS FILLED HIGH TEMP THERMO PLASTIC, BLACK, UL94 V-0  
 SIGNAL CONTACT - COPPER ALLOY  
 POWER CONTACT - HIGH CONDUCTIVITY COPPER ALLOY)
- ③ CONTACT PLATING: SIGNAL CONTACTS - .000050 MIN Ni UNDER ALL.  
 .000030 MIN Au ON CONTACT AREA.  
 .000100 MIN Sn AT PCB INTERFACE.)  
 POWER CONTACTS - .000050 MIN Ni UNDER ALL.  
 .000030 MIN Au AT CONTACT AREA.  
 .000100 MIN Sn AT PCB INTERFACE.
- ④ MECHANICAL CONNECTOR KEEP OUT ZONE.
- ⑤ DATUM AND BASIC DIMENSIONS ESTABLISHED BY CUSTOMER.
- ⑥ PCB - HOLE DIAMETERS ARE FINISHED HOLE SIZE.
- ⑦ PCB - .0453 ± .0010 DRILLED HOLES PLATED WITH .0003 MIN Sn OVER .001 TO .003 Cu PLATING TO ACHIEVE A .040 DIA HOLE.

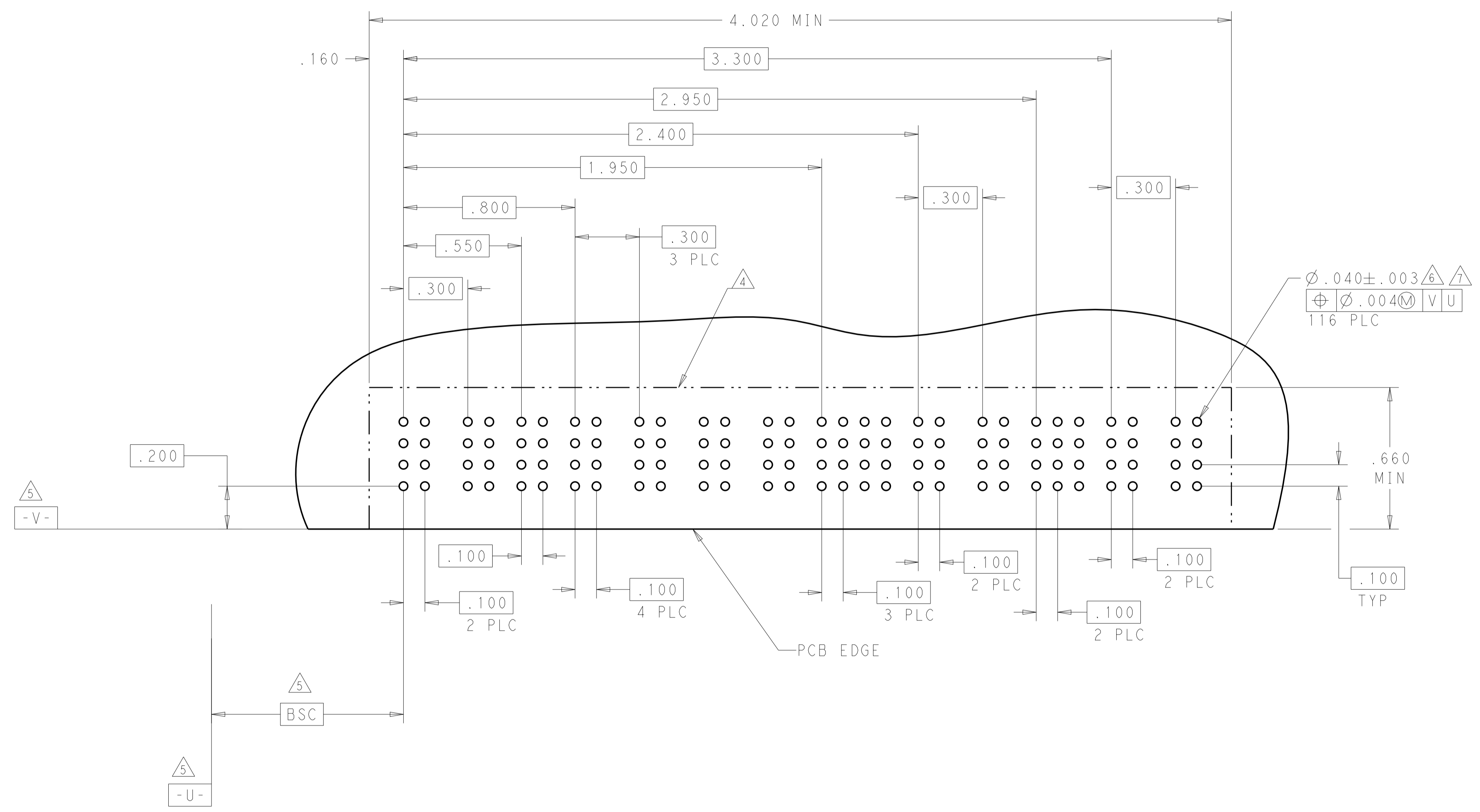


|                                |             |
|--------------------------------|-------------|
| 2ACP+8S+4ACP+16S+2ACP+12S+2ACP | 6450849-6   |
| DESCRIPTION                    | PART NUMBER |

|  |  |                               |   |  |
|--|--|-------------------------------|---|--|
| THIS DRAWING IS A CONTROLLED DOCUMENT. |  | DWN<br>C. ZHOU<br>28DEC2009   | TE Connectivity   |  |
| DIMENSIONS:<br>INCHES                  |  | CHK<br>S. ZHAO<br>28DEC2009   | NAME<br>RIGHT ANGLE HEADER ASSEMBLY WITH GUIDELESS MULTI-BEAM XLE |  |
| TOLERANCES UNLESS OTHERWISE SPECIFIED: |  | APVD                          | PRODUCT SPEC<br>108-2292  |  |
| 0 PLC ± .005                           |  | APPLICATION SPEC<br>114-13251 |   |  |
| 1 PLC ± .005                           |  | SIZE<br>A1                    |   |  |
| 2 PLC ± .005                           |  | CAGE CODE DRAWING NO<br>00779 |   |  |
| 3 PLC ± .005                           |  | DRAWING NO<br>6450849-6       |   |  |
| 4 PLC ± .0020                          |  | RESTRICTED TO                 |   |  |
| ANGLES ± .020                          |  | WEIGHT                        |   |  |
| FINISH                                 |  | CUSTOMER DRAWING              |   |  |
| MATERIAL                               |  | SCALE 1:4 SHEET 1 OF 2 REV A1 |   |  |

| REVISIONS |     |             |      |      |
|-----------|-----|-------------|------|------|
| REV       | LTN | DESCRIPTION | DATE | APVD |
| -         | -   | SEE SHEET 1 | -    | -    |

| PART NUMBER                    | ROWS             | POWER |    | SIGNAL |    | POWER |    |    |    | SIGNAL |    |    |    | POWER |    | SIGNAL |    | POWER |    |     |
|--------------------------------|------------------|-------|----|--------|----|-------|----|----|----|--------|----|----|----|-------|----|--------|----|-------|----|-----|
|                                |                  | P1    | P2 | 1      | 2  | P3    | P4 | P5 | P6 | 3      | 4  | 5  | 6  | P7    | P8 | 7      | 8  | 9     | P9 | P10 |
| 6450849-6                      | D<br>C<br>B<br>A | TT    | TT | Z5     | Z5 | TT    | TT | TT | TT | Z5     | Z5 | Z5 | Z5 | TT    | TT | Z5     | Z5 | Z5    | TT | TT  |
|                                |                  |       |    | Y5     | Y5 |       |    |    |    | Y5     | Y5 | Y5 | Y5 |       |    | Y5     | Y5 | Y5    |    |     |
|                                |                  |       |    | R5     | R5 |       |    |    |    | R5     | R5 | R5 | R5 |       |    | R5     | R5 | R5    |    |     |
|                                |                  |       |    | O5     | O5 |       |    |    |    | O5     | O5 | O5 | O5 |       |    | O5     | O5 | O5    |    |     |
| 2ACP+8S+4ACP+16S+2ACP+12S+2ACP |                  |       |    |        |    |       |    |    |    |        |    |    |    |       |    |        |    |       |    |     |



|  |  |                               |   |
|--|--|-------------------------------|---|
| THIS DRAWING IS A CONTROLLED DOCUMENT.   |  | DWN<br>C. ZHOU<br>28DEC2009   | TE Connectivity   |
| DIMENSIONS: INCHES   |  | CHK<br>S. ZHAO<br>28DEC2009   |   |
| TOLERANCES UNLESS OTHERWISE SPECIFIED:<br>0 PLC ±<br>1 PLC ±<br>2 PLC ±<br>3 PLC ±.005<br>4 PLC ±.0020<br>ANGLES ±.2 |  | APVD<br>-                     | NAME<br>RIGHT ANGLE HEADER ASSEMBLY WITH SHORT END MODEL MULTI-BEAM XLE |
| MATERIAL   |  | PRODUCT SPEC<br>108-2292      | SIZE<br>A1  |
| FINISH   |  | APPLICATION SPEC<br>114-13251 | CAGE CODE<br>100779   |
|  |  | WEIGHT                        | DRAWING NO<br>6450849-6   |
|  |  | CUSTOMER DRAWING              | RESTRICTED TO<br>A1   |
|  |  | SCALE<br>1:4                  | SHEET<br>2 OF 2   |
|  |  |                               | REV<br>A1   |

单击下面可查看定价，库存，交付和生命周期等信息

[>>TE Connectivity\(泰科\)](#)