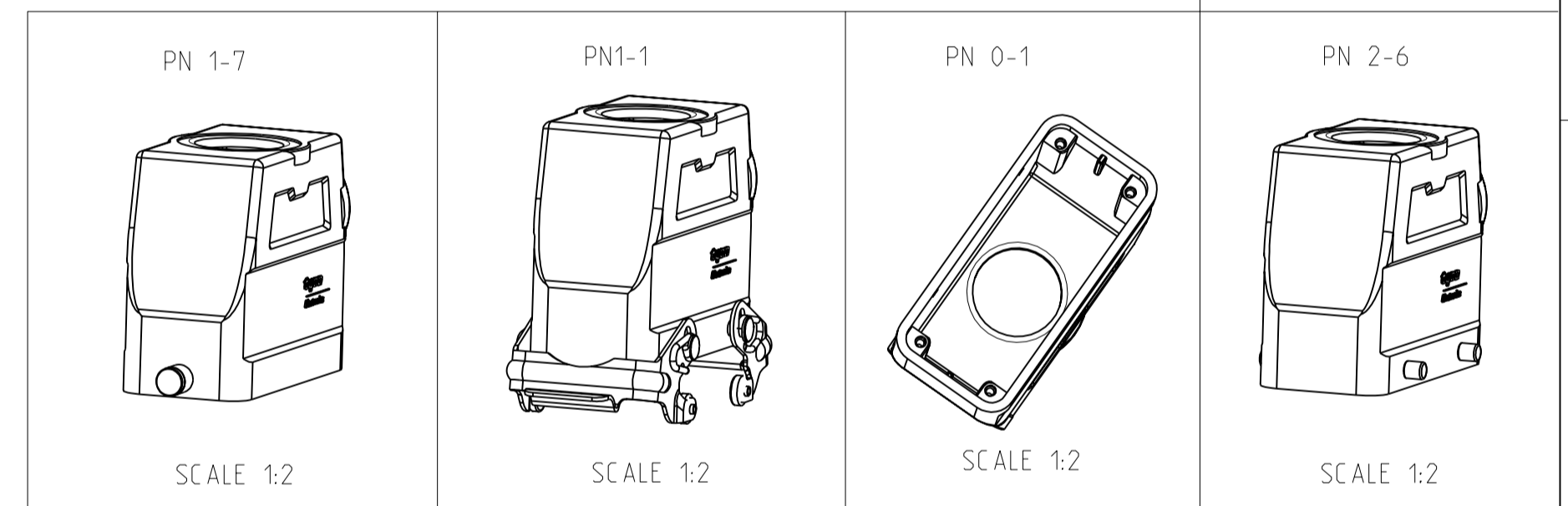
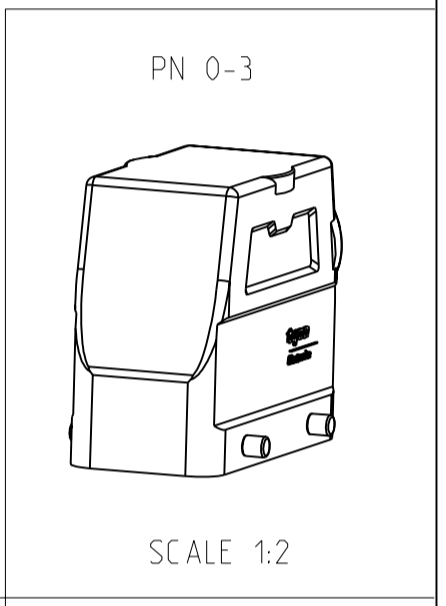
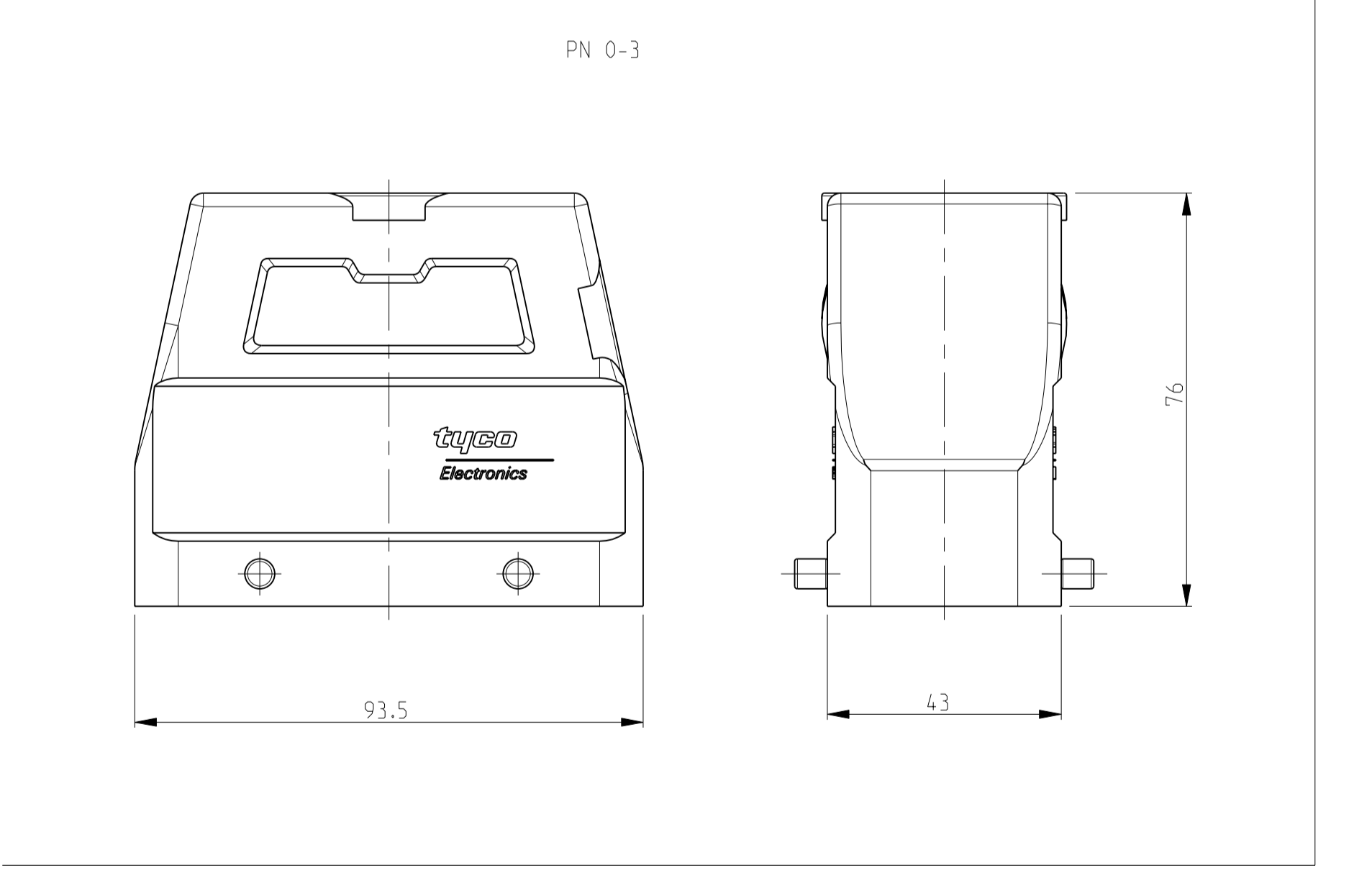
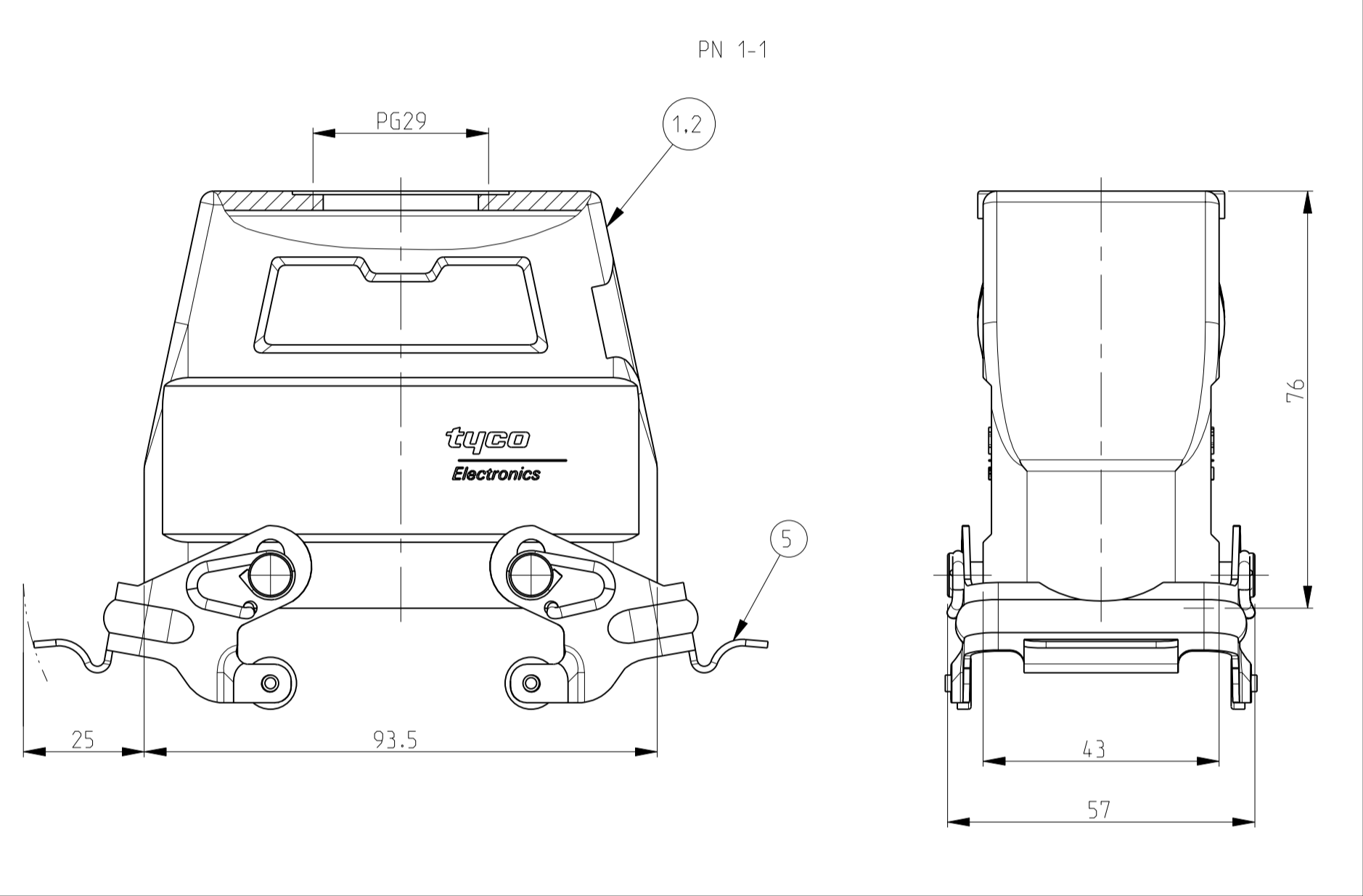
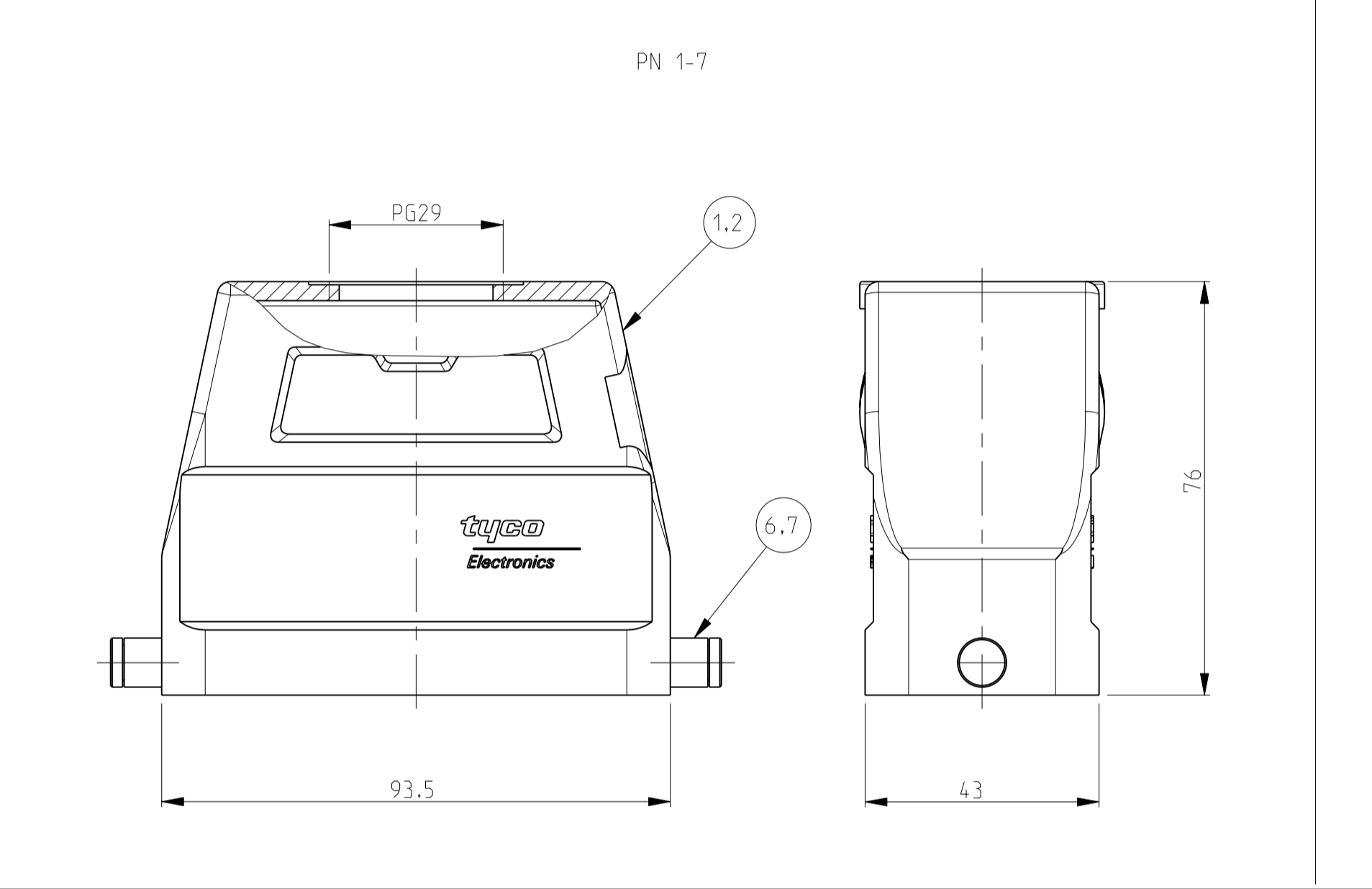
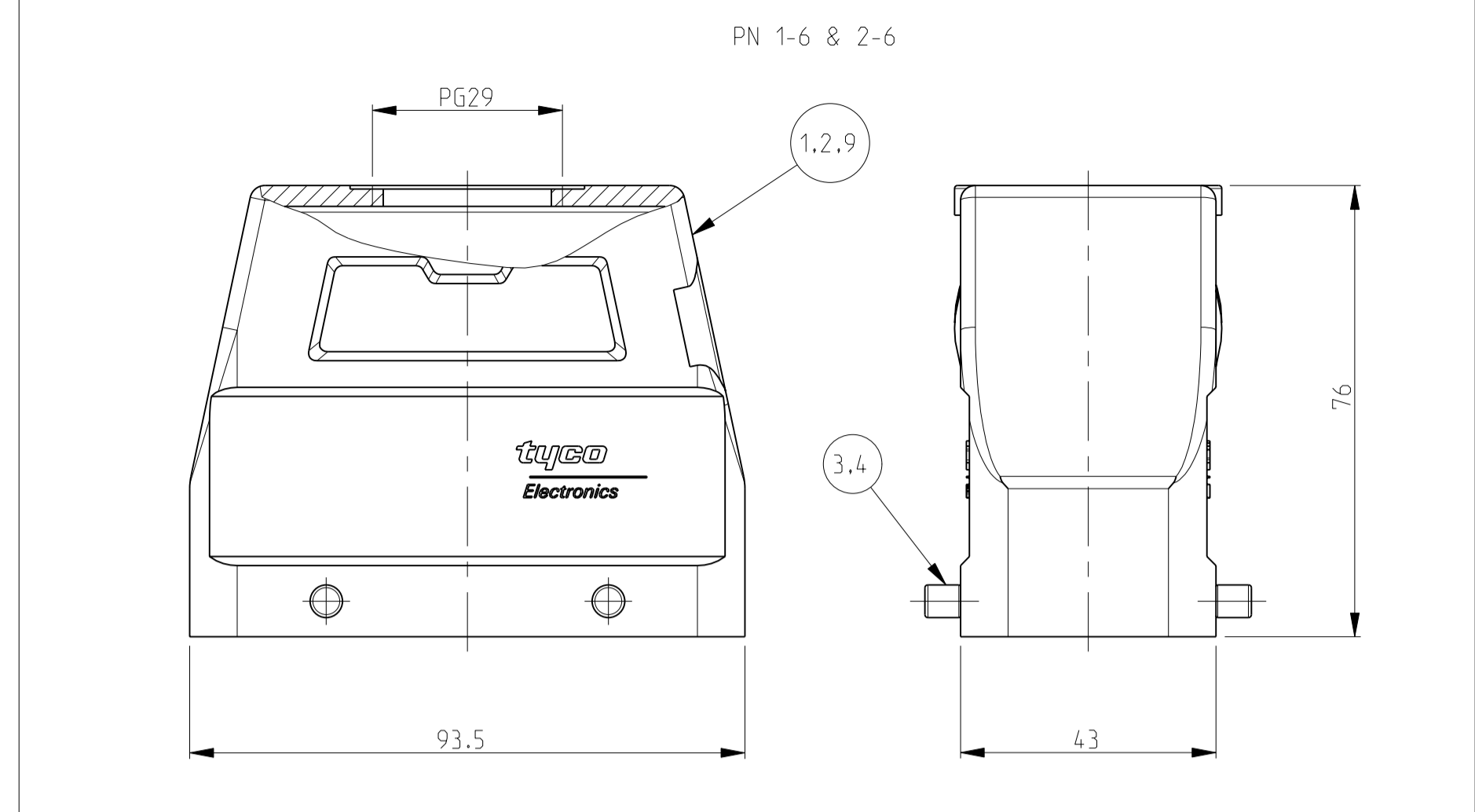
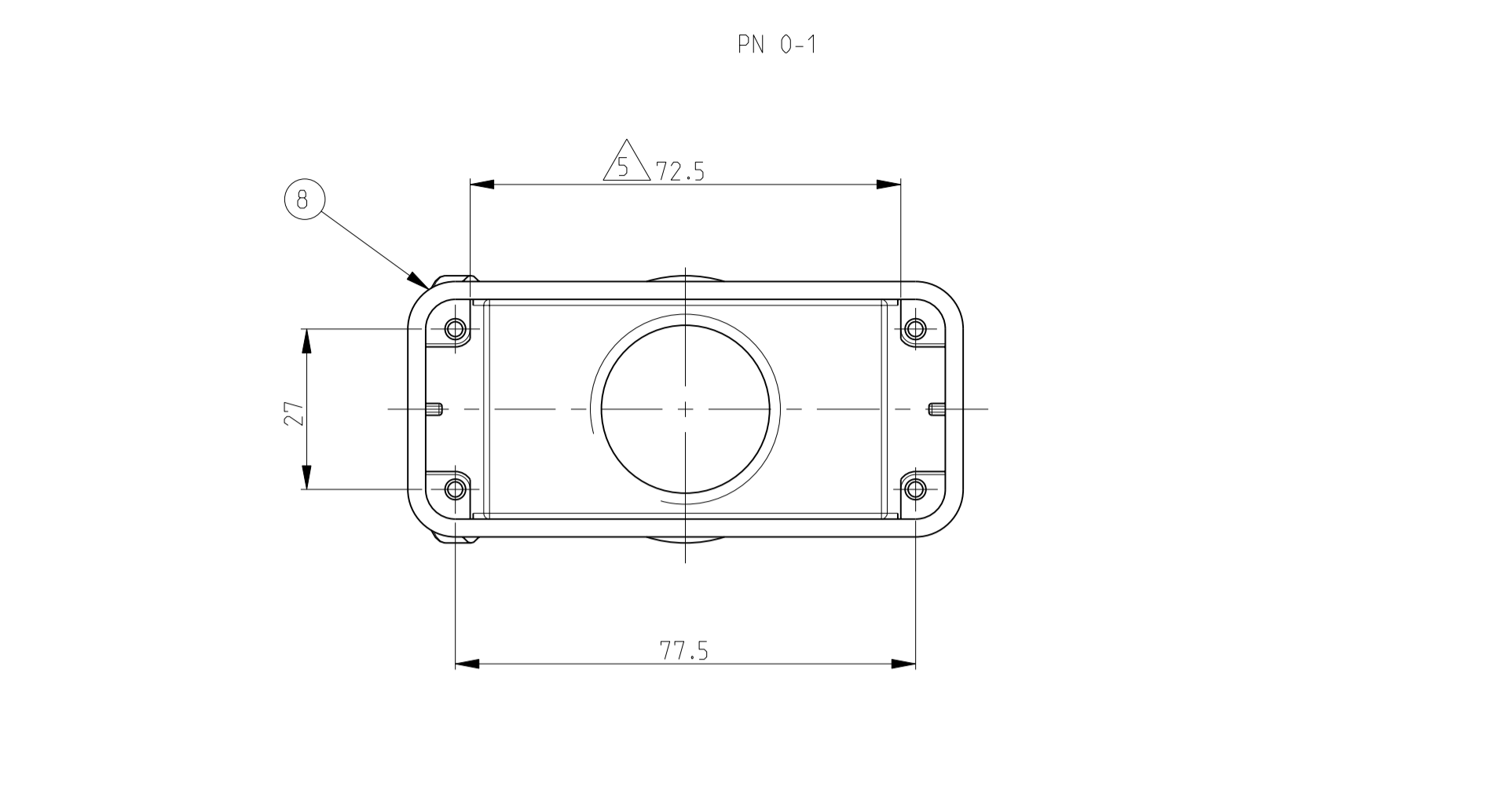


LOC		DIST		REVISIONS			
NO	DATE	BY	CHK	DESCRIPTION	DATE	DWN	APVD
A8				ECR-17-014033	13MAR2018	SG	MKO



- NOTES
- Material: Housing: aluminium diecasting alloy
 - Surface:- Powder varnish-grey
Varnish black
 - Varnish on the inside not necessarily
 - Packaging quantity: 5 pieces
- △ Valid only for PN 0-1
Landing at measure 72.5 (20mm Deep) milled off : bothsides

QTY	DESCRIPTION	MATERIAL	SURFACE	COLOR	ITEM NO	NOTES
1	HD-K Hood	Aluminium	Aluminium oxide	Black	9	With out PG-thread
1	HD-K Hood	Aluminium	Aluminium oxide	Black	8	Landing milled off △
2	LB-Clip bolt	Stainless Steel	Even	-	7	-
2	LB-Clip bolt	Steel	Zinc plated	Blue	6	-
2	VS-Locking clip	Steel	Zinc plated	Blue	5	-
4	VS-Clip bolt	Stainless Steel	Even	-	4	-
4	VS-Clip bolt	Steel	Zinc plated	Blue	3	-
1	HD-K Hood	Aluminium	Aluminium oxide	Black	2	-
1	HD Hood	Aluminium	-	Grey	1	-

ORDERING TEXT

HD.40.STO.1.29.G
 HD.K.40.STO.1.29.G
 HD.40.STO-VS.1.29.G
 HD.40.STO-GR.1.29.G
 HD-K.40.STO.1.29.G △
 HD-K.40.STO-GR.1.29.G △
 HD-K.40.ST

THIS DRAWING IS A CONTROLLED DOCUMENT FOR TYCO ELECTRONICS CORPORATION. IT IS THE PROPERTY OF TYCO ELECTRONICS CORPORATION AND SHOULD BE CONTROLLED FOR THE LATEST REVISION. UNLESS OTHERWISE SPECIFIED:

TOLERANCES UNLESS OTHERWISE SPECIFIED:

0.25	±
0.5	±
1	±
2	±
3	±
4	±
ANGLES	±

FINISH

DATE: 30.05.00
 DWG: Schneider
 CHK: Schneider
 APVD: Schneider

NAME: HHOOD
 PRODUCT SPEC: HD.40.STO.1.29.G
 APPLICATION SPEC: -

SIZE: A | CAGE CODE: 00779 | DRAWING NO: 1102573
 WEIGHT: -
 CUSTOMER DRAWING

SCALE: 1:1 SHEET 1 OF 1 REV: A8

单击下面可查看定价，库存，交付和生命周期等信息

[>>TE Connectivity\(泰科\)](#)