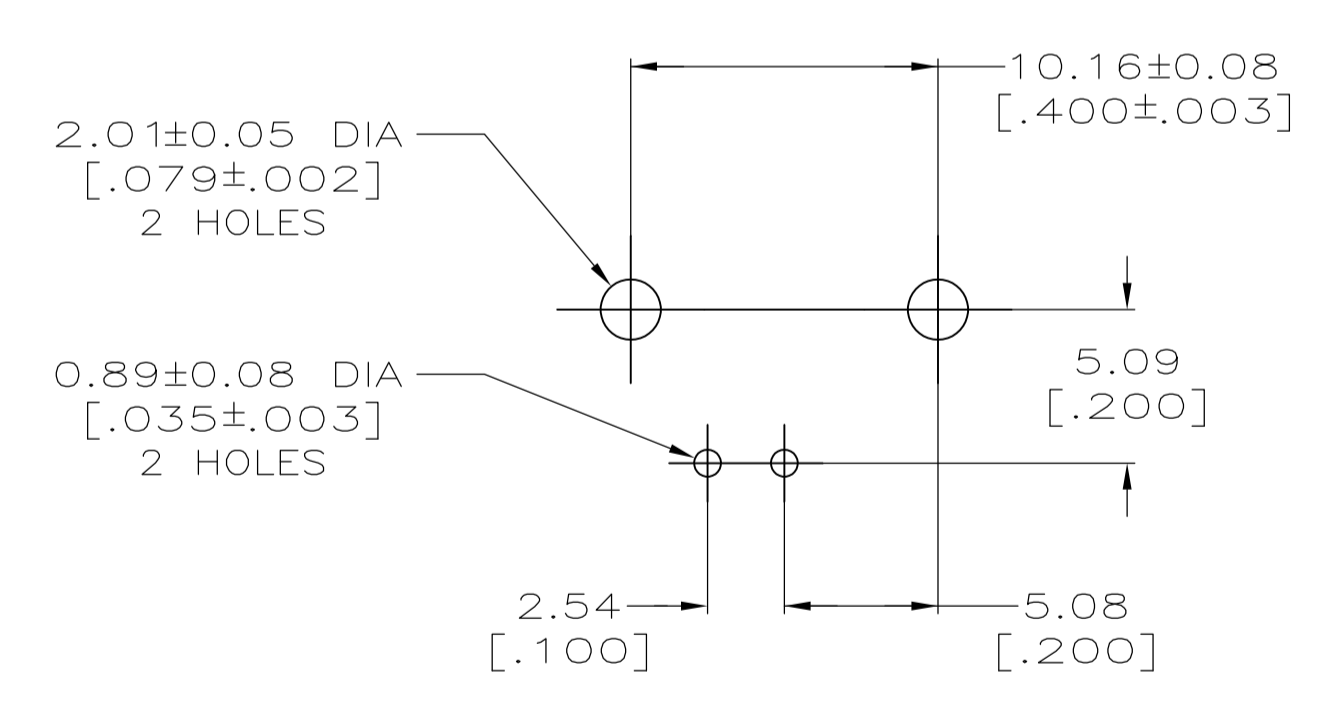
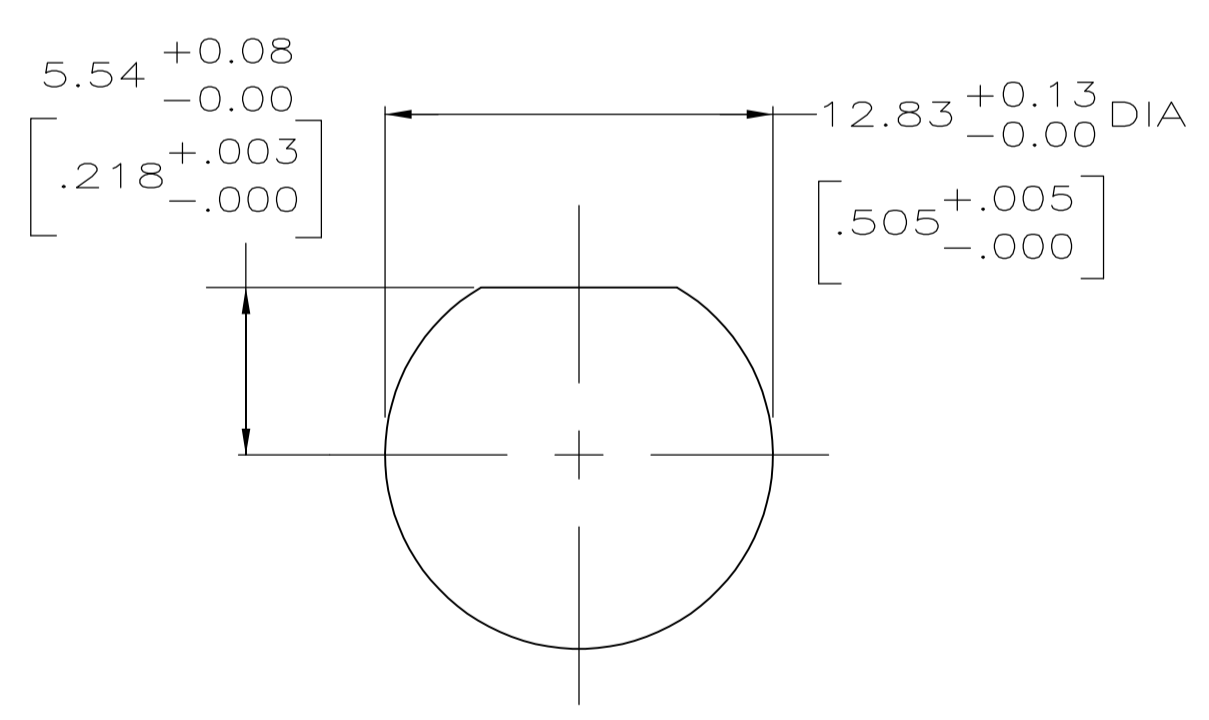
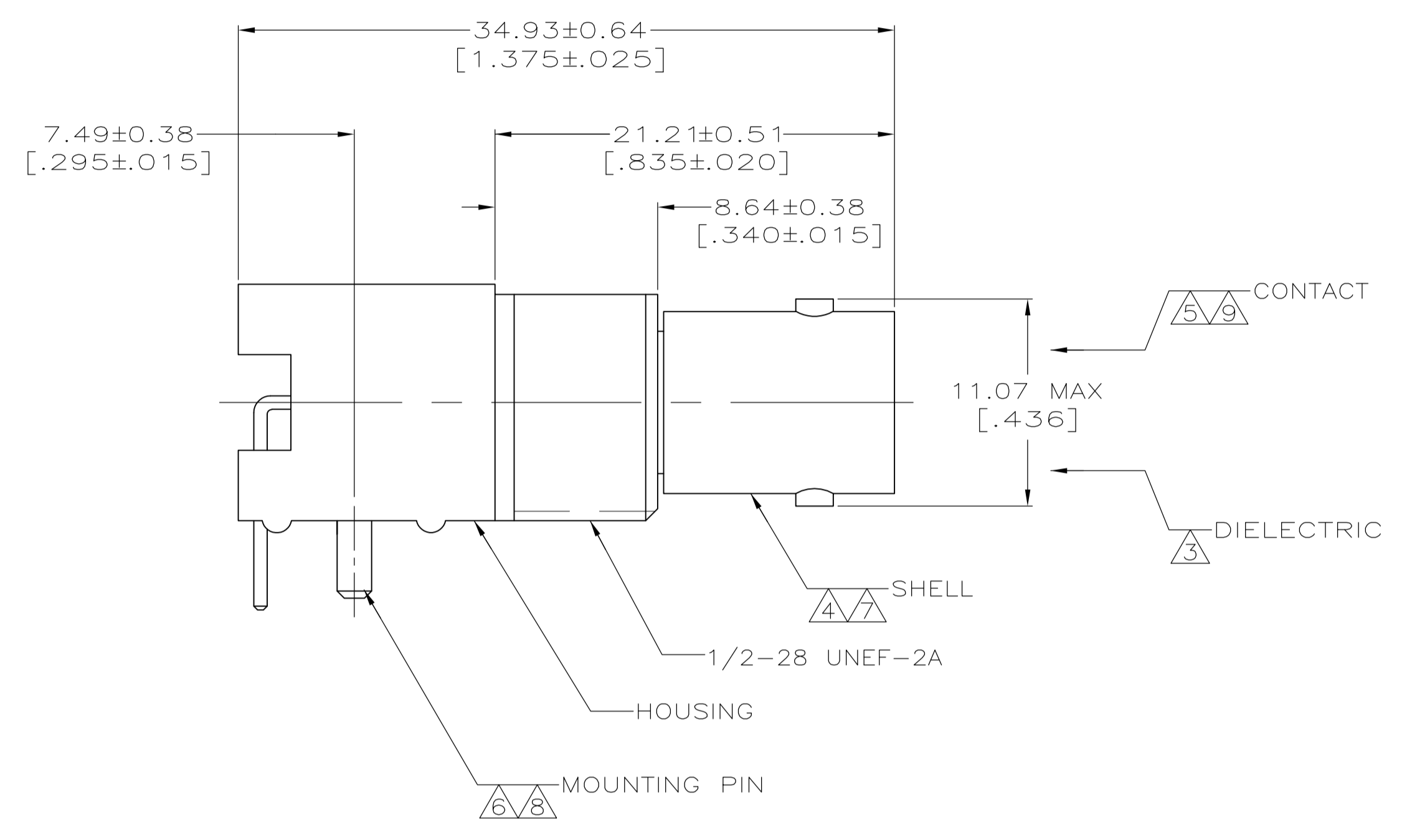
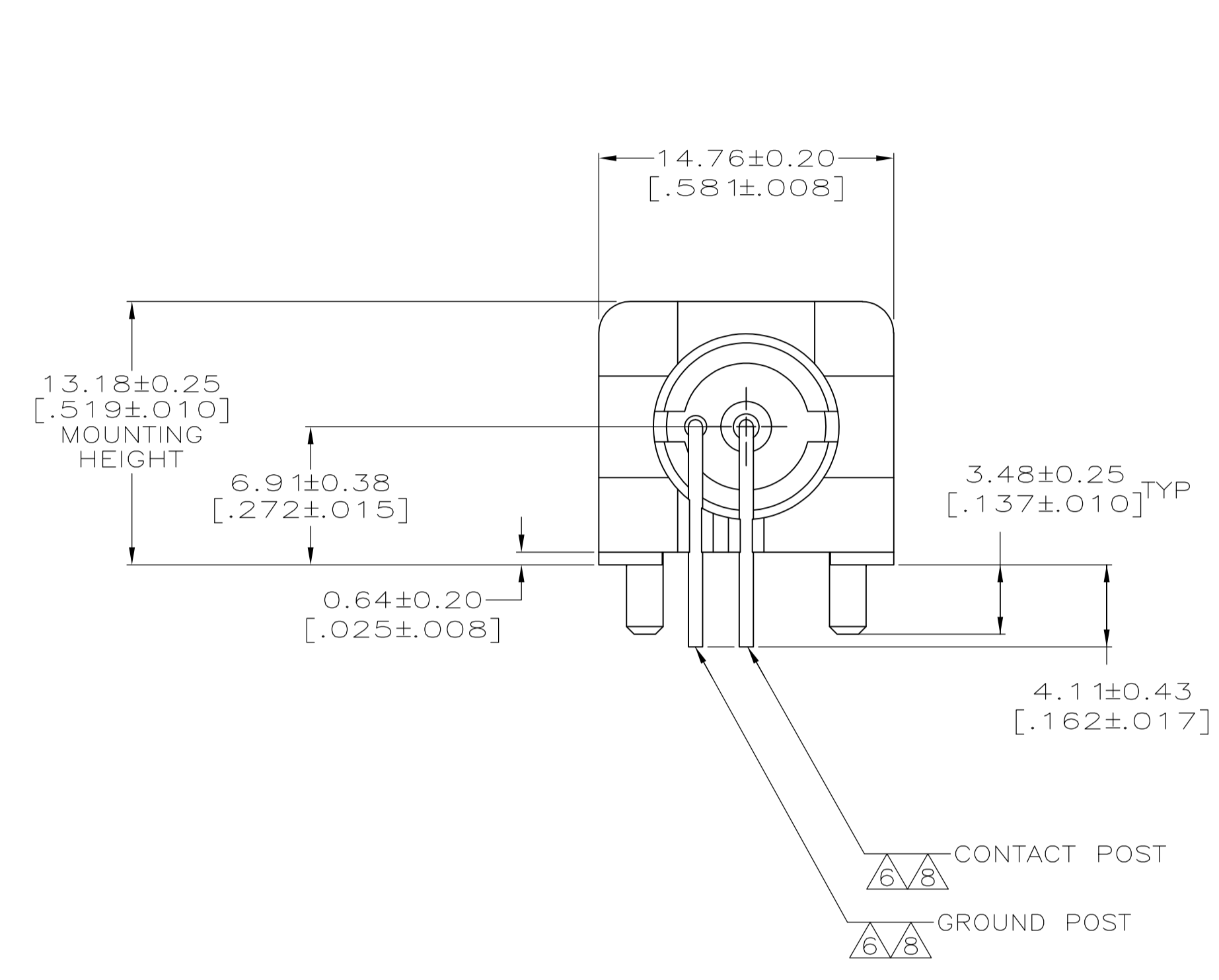


LOC	DIST	REVISIONS			
		REV	DESCRIPTION	DATE	BY
AJ	16	B1	REVISED PER ECO-11-005030	11MAR11	RK HMR

- 1 POLYESTER PBT PER MIL-M-24519, TYPE GPT-15F, UL94V-0 RATED, COLOR:NATURAL
- 2 POLYESTER PBT PER MIL-M-24519, TYPE GPT-15F, UL94V-0 RATED, COLOR:BLACK
- 3 POLYMETHYLPENTENE, GENERAL PURPOSE.
- 4 ZINC PER QQ-Z-363.
- 5 BERYLLIUM COPPER PER QQ-C-530.
- 6 BRASS PER ASTM-B-453.
- 7 NICKEL PLATE PER QQ-N-290
3.81 μm [.000150] MINIMUM THICK.
- 8 TIN PLATE PER ASTM-B-545
3.81 μm [.000150] MINIMUM THICK.
- 9 GOLD PLATE PER ASTM-B-488
0.76 μm [.000030] MINIMUM THICK.
- 10. SEE INSTRUCTION SHEET 408-2769.



RECOMMENDED PANEL CUTOUT

PCB CONFIGURATION

HOUSING MATERIAL	5413194-2
	5413194-1
	PART NO

THIS DRAWING IS A CONTROLLED DOCUMENT.

DIMENSIONS: mm [INCHES]	TOLERANCES UNLESS OTHERWISE SPECIFIED:	DIN L. VARELA - DOCKS 21APR2005	CHK J. HAVENER 21APR2005	APVD J. LIPPERT 21APR2005	NAME JACK, RIGHT ANGLE, PCB, 75 OHM, BNC
0 PLC ± -	1 PLC ± -	2 PLC ± 0.06 [.002]	3 PLC ± -	4 PLC ± -	ANGLES ± -
MATERIAL SEE NOTES 1-6	FINISH SEE NOTES 7-9	WEIGHT -	SIZE A1	CAGE CODE 00779	DRAWING NO 5413194
CUSTOMER DRAWING		SCALE 4:1	SHEET 1 OF 1	REV B1	RESTRICTED TO

STE TE Connectivity

单击下面可查看定价，库存，交付和生命周期等信息

[>>TE Connectivity\(泰科\)](#)