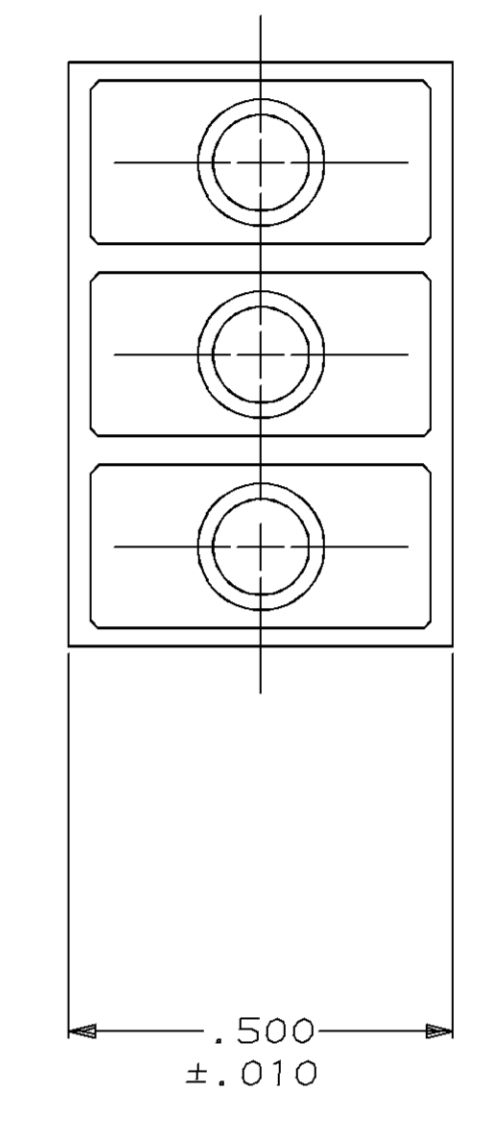
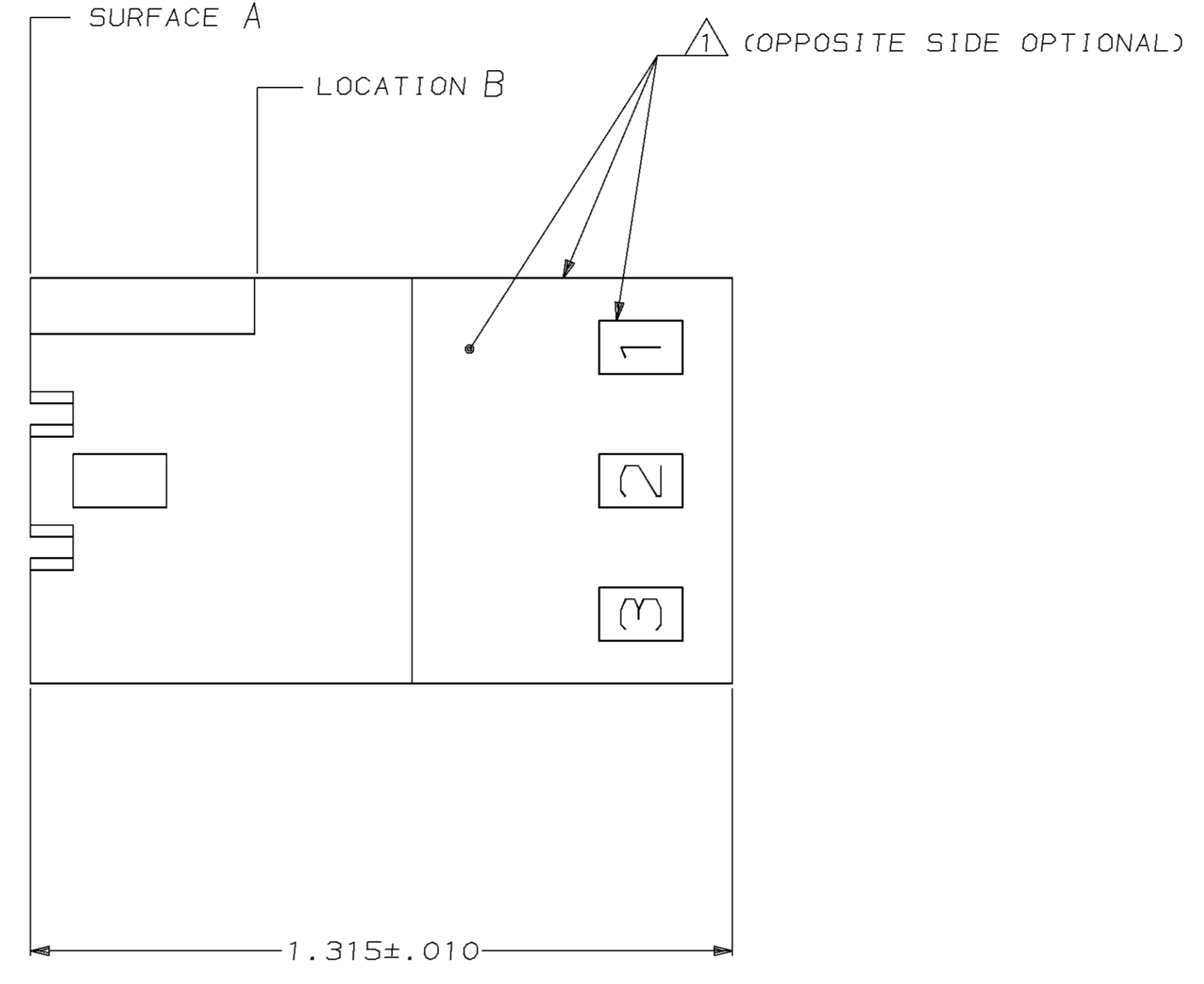
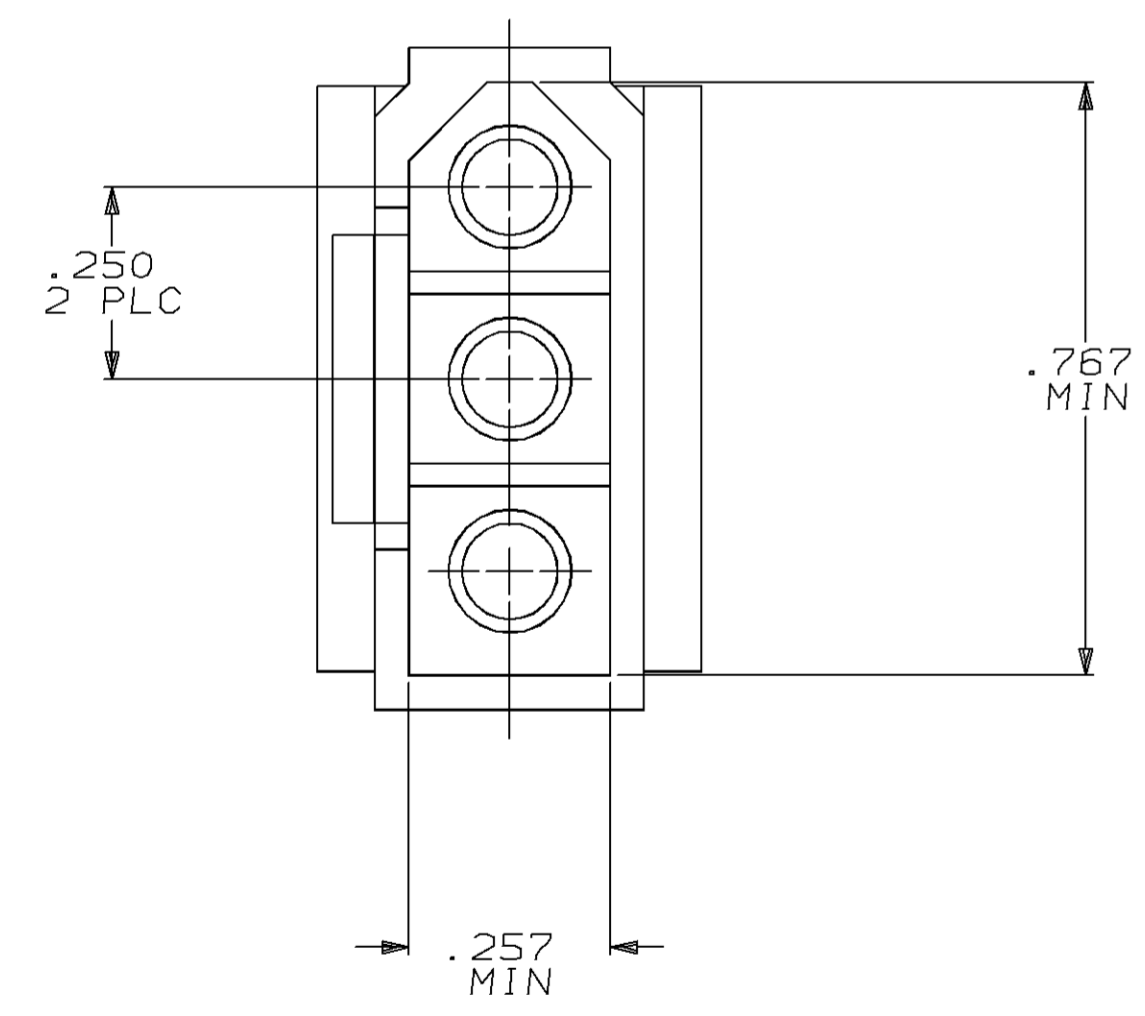
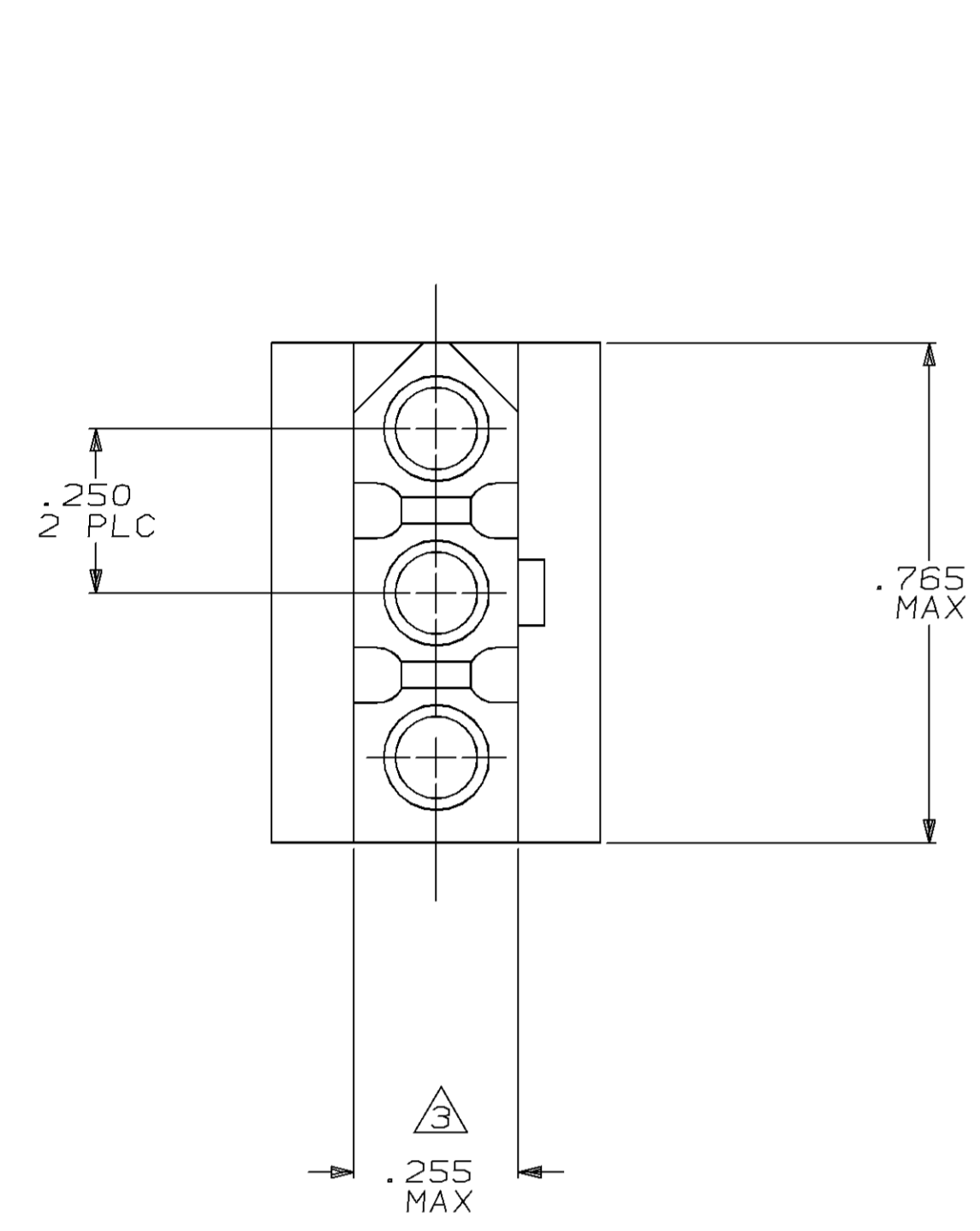
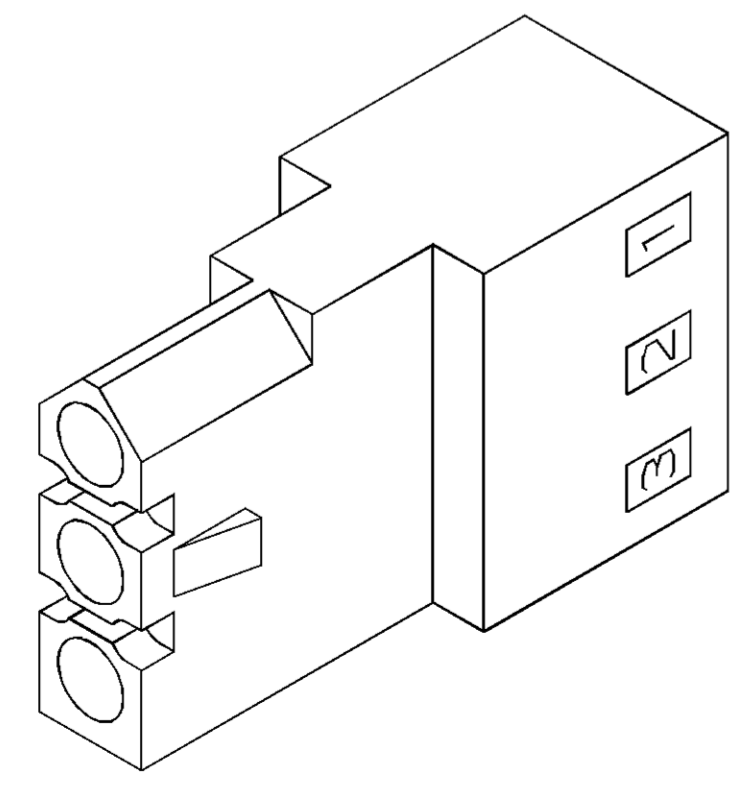


LOC		DIST		P		F		ZONE		LTR		REVISIONS		DATE	APPD
CM	53												REV PER EC 0730-0241-95	1-2-95	JH



- △ AMP LOGO AND CIRCUIT NUMBERS LOCATED ON EITHER SURFACE.
- 2 PARTS ARE DUAL WIRE COMPATIBLE.
- △ DIMENSION APPLIES BETWEEN SURFACE A AND LOCATION B.

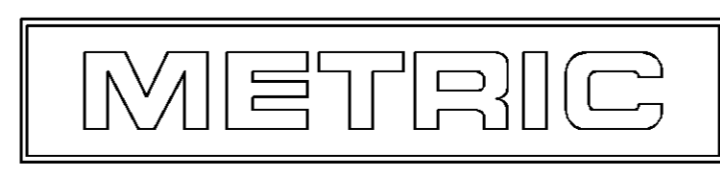
MATING CONNECTOR INTERFACE



3 DIMENSIONAL MODEL NTS

IN	MM	IN	MM
.257	6.53	-	-
.255	6.48	1.315	33.40
.250	6.35	.767	19.48
.010	0.25	.765	19.43
.005	0.13	.500	12.70

CONVERSION TABLE



DO NOT SCALE PRINT. UNLESS SPECIFIED DIMENSIONS IN INCHES TOLERANCES ON: 2 PLC DEC ± .005 3 PLC DEC ± .005 ANGLES ± .005		DR K. WHITAKER 10-27-88	AMP AMP INCORPORATED Harrisburg, Pa. 17105	
MATERIAL NYLON, UL 94V-2 NATURAL		CHK R. SWING 10-27-88		
FINISH		APPD R. CARSON 10-27-88	NAME RECEPTACLE, 3 CIRCUIT, .250 PIN AND SOCKET	
APPLICATION SPEC		APPD R. CARSON 10-27-88	DRAWING NO 770451	
WEIGHT		SIZE D	FSCM NO 00779	SHEET 1 OF 1
		SCALE 4:1	PART NO 770451-1	

CUSTOMER DRAWING

单击下面可查看定价，库存，交付和生命周期等信息

[>>TE Connectivity\(泰科\)](#)