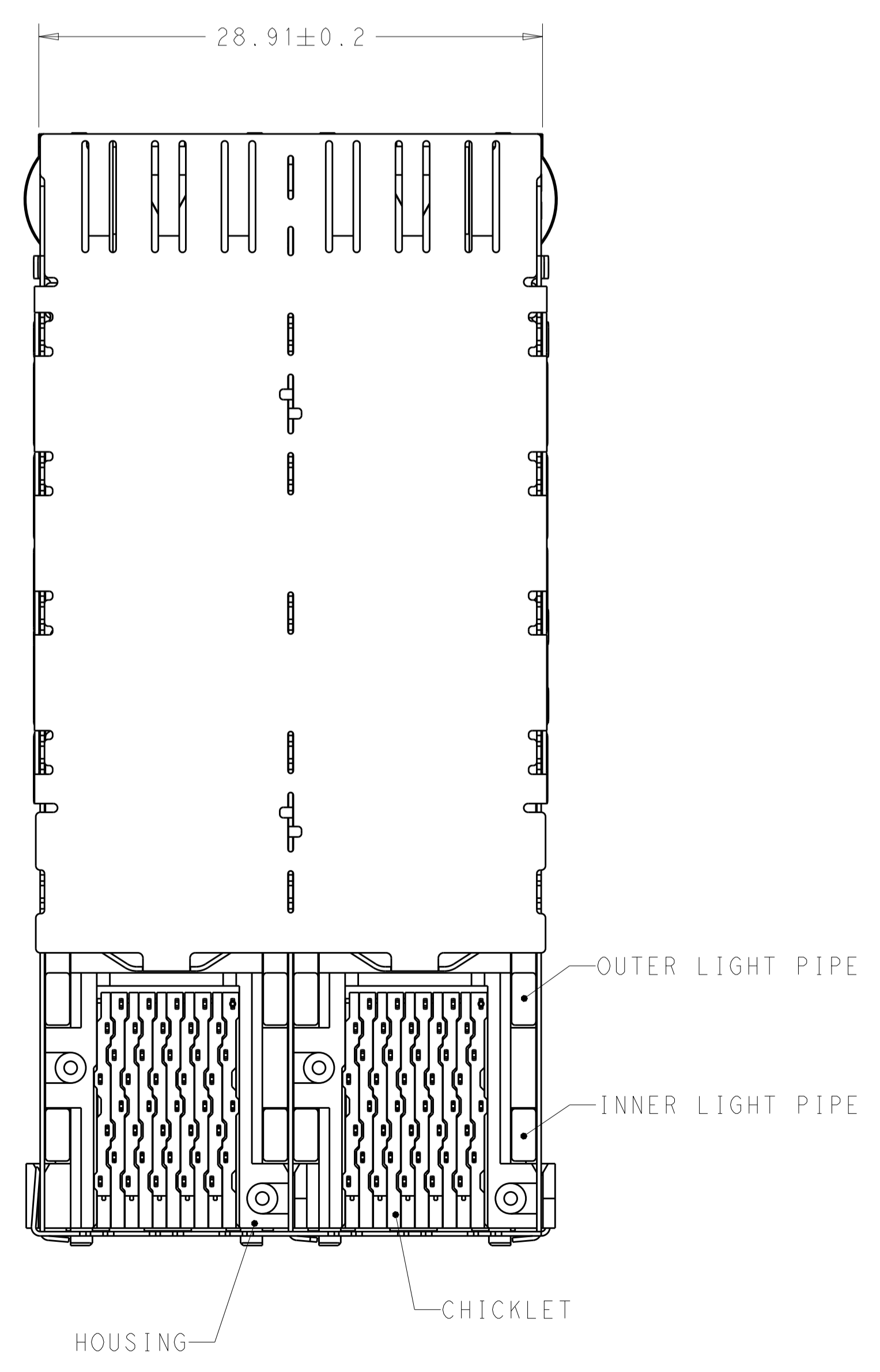
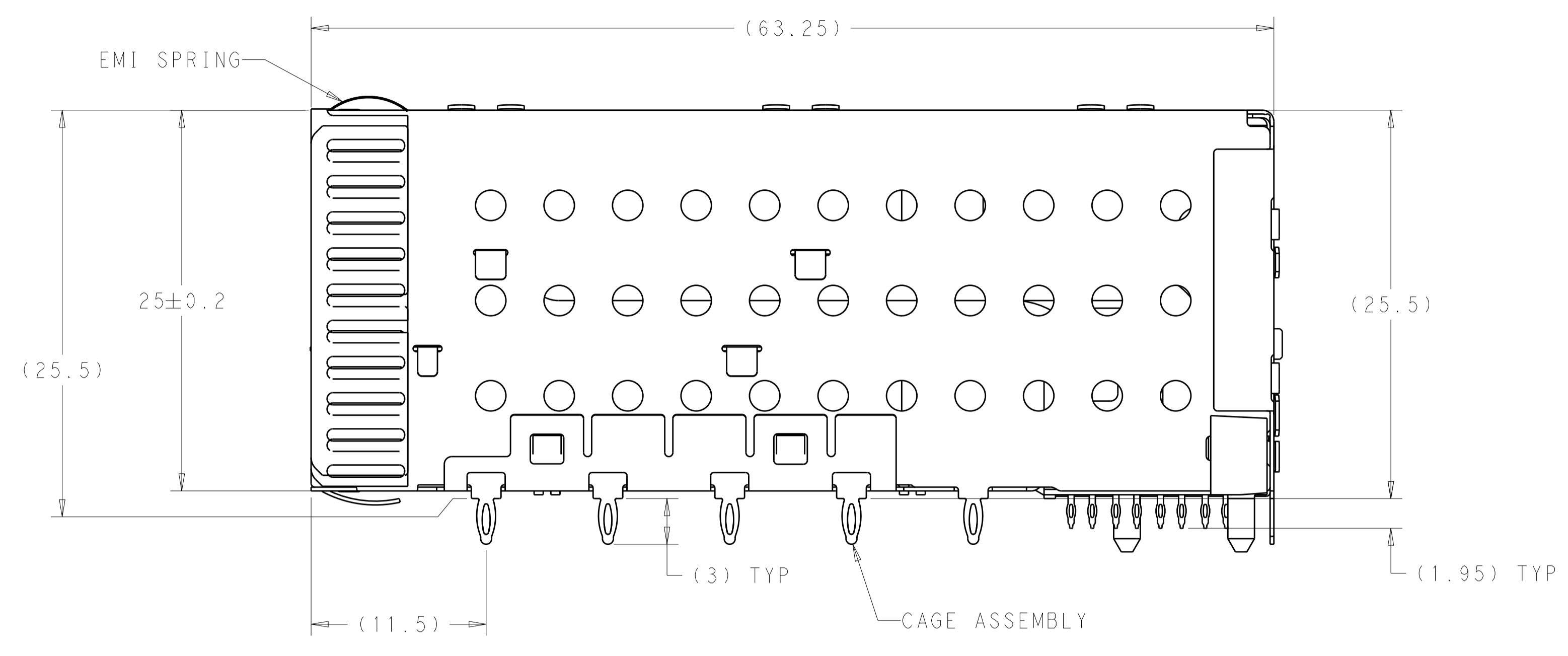
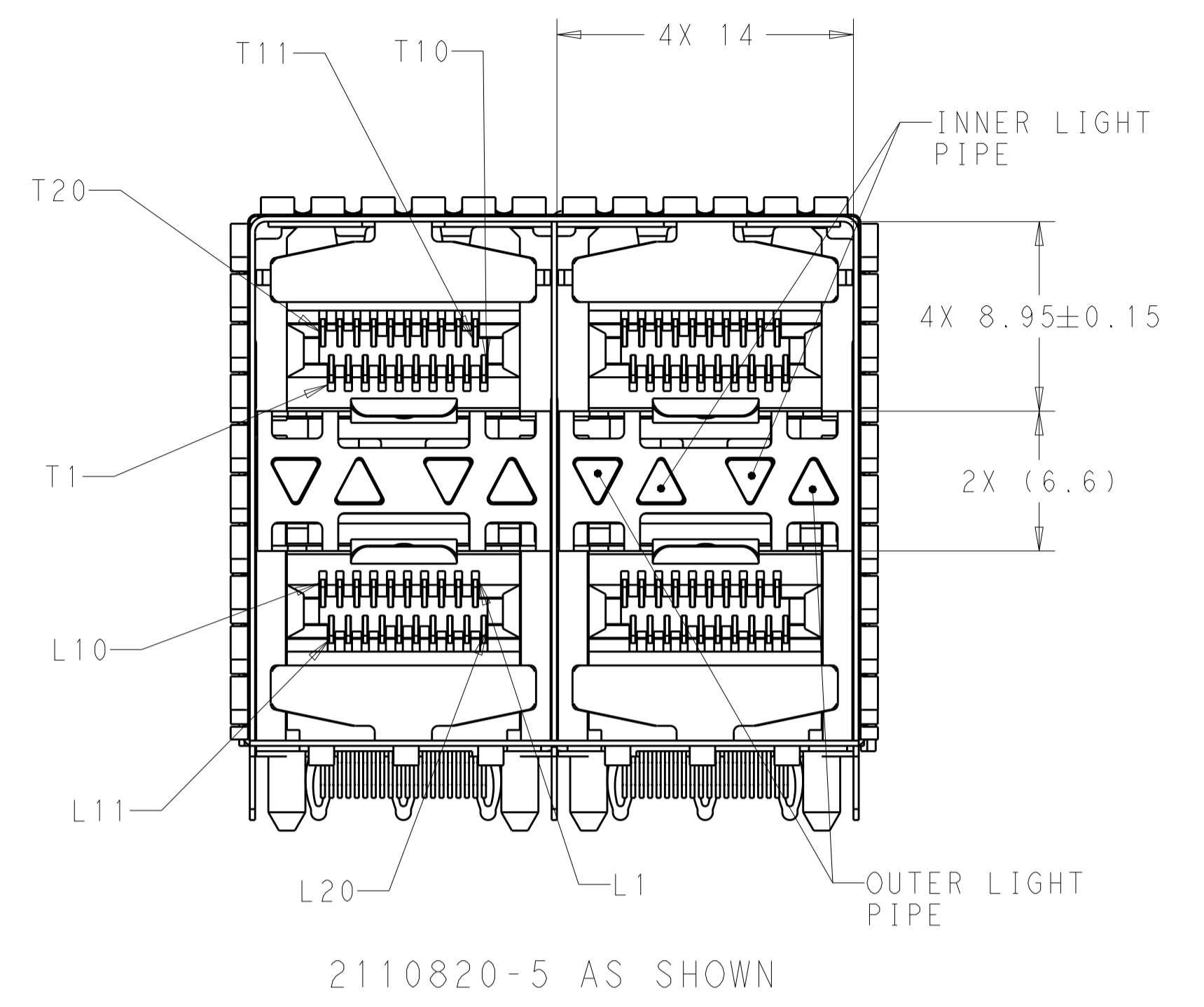


LOC		DIST		REVISIONS			
P	LTN	DESCRIPTION	DATE	DWN	APVD		
F		REVISED PER ECO-ECO-15-017919	01APR2016	AP	PR		
F1		REVISED PER ECO-20-003508	16MAR2020	IT	SH		



- △ MATERIALS:
 CAGE ASSEMBLY- NICKEL SILVER ALLOY PER ASTM B 122.
 EMI SPRING- COPPER ALLOY.
 HOUSING- BLACK LCP, UL 94V-0 RATED.
 CHICKLET- BLACK LCP, UL 94V-0 RATED.
 LIGHT PIPE- POLYCARBONATE, CLEAR.
 CONTACT- COPPER ALLOY.
- △ DATUM AND BASIC DIMENSIONS ESTABLISHED BY CUSTOMER.
- 3. MINIMUM PCB THICKNESS OF 1.575.
- △ NOTE REMOVED.
- △ CONTACT FINISH- CONFORMS TO THE REQUIREMENTS OF TE PRODUCT SPECIFICATION 108-2331, BASED ON EIA/ECA-364-1000.01A, (CONTROLLED ENVIRONMENT APPLICATIONS) ON MATING INTERFACE, TIN ON NEEDLE EYE. SURFACE TREATMENT OVER 0.76µm GOLD OVER 1.27µm MIN NICKEL.
- △ FOR HOLE SIZE AND PLATINGS, SEE APPLICATION SPEC 114-13219.
- △ THE ENTIRE AREA OF THE CONNECTOR FOOTPRINT, INDICATED BY THE DASHED LINE, TO BE CONSIDERED THE KEEPOUT AREA FOR COMPONENTS AND SIGNAL TRACES, TOP SIDE ONLY. TOP SIDE TRACES ALLOWED WITHIN CONNECTOR HOLE PATTERN.
- △ LIGHT PIPE PAD LAYOUT IS FOR 0805 LOW PROFILE LED PACKAGE.
- △ EMI SPRING FINISH: 0.8µm MINIMUM MATTE TIN OVER 0.8µm MINIMUM NICKEL, NONPLATED EDGES PERMISSIBLE.

△	NO LIGHT PIPES	2110820-8
	OUTER 2 LIGHT PIPES	2110820-7
	INNER 2 LIGHT PIPES	2110820-6
	4 LIGHT PIPES	2110820-5
OBSOLETE	NO LIGHT PIPES	2110820-4
	OUTER 2 LIGHT PIPES	2110820-3
	INNER 2 LIGHT PIPES	2110820-2
	4 LIGHT PIPES	2110820-1
FINISH	DESCRIPTION	PART NUMBER

THIS DRAWING IS A CONTROLLED DOCUMENT.

DIMENSIONS: mm

TOLERANCES UNLESS OTHERWISE SPECIFIED:

0 PLC	±0.10
1 PLC	±0.10
2 PLC	±0.10
3 PLC	±0.10
4 PLC	±0.10
ANGLES	±°

MATERIAL: 1

FINISH: 5, 9

APPROVED: C. ROHLER 23JUL2009, M. SCHMITT 23JUL2009

PRODUCT SPEC: 108-2331

APPLICATION SPEC: 114-13103

WEIGHT: -

CUSTOMER DRAWING

SCALE: 4:1

SHEET 1 OF 4

REV F1

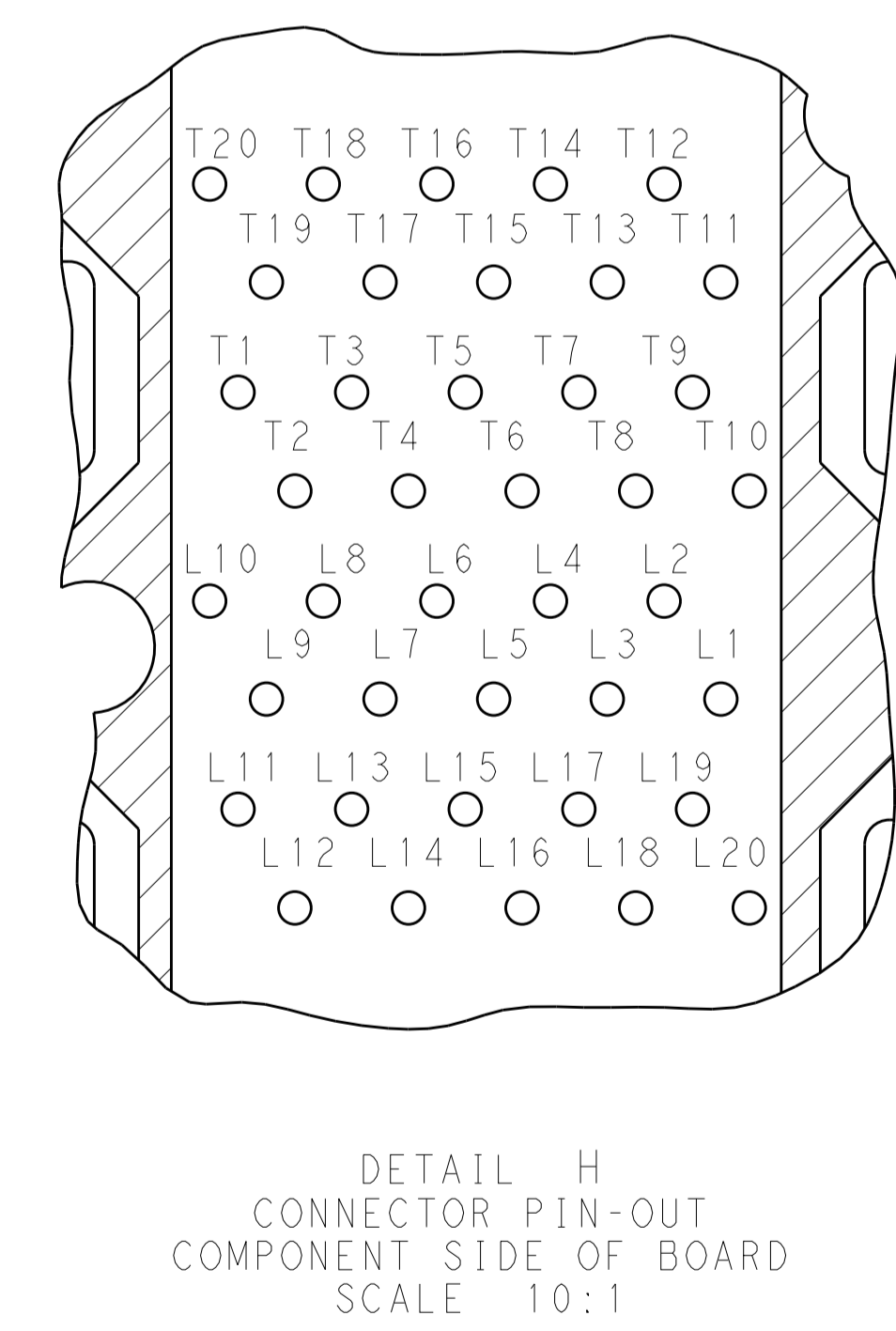
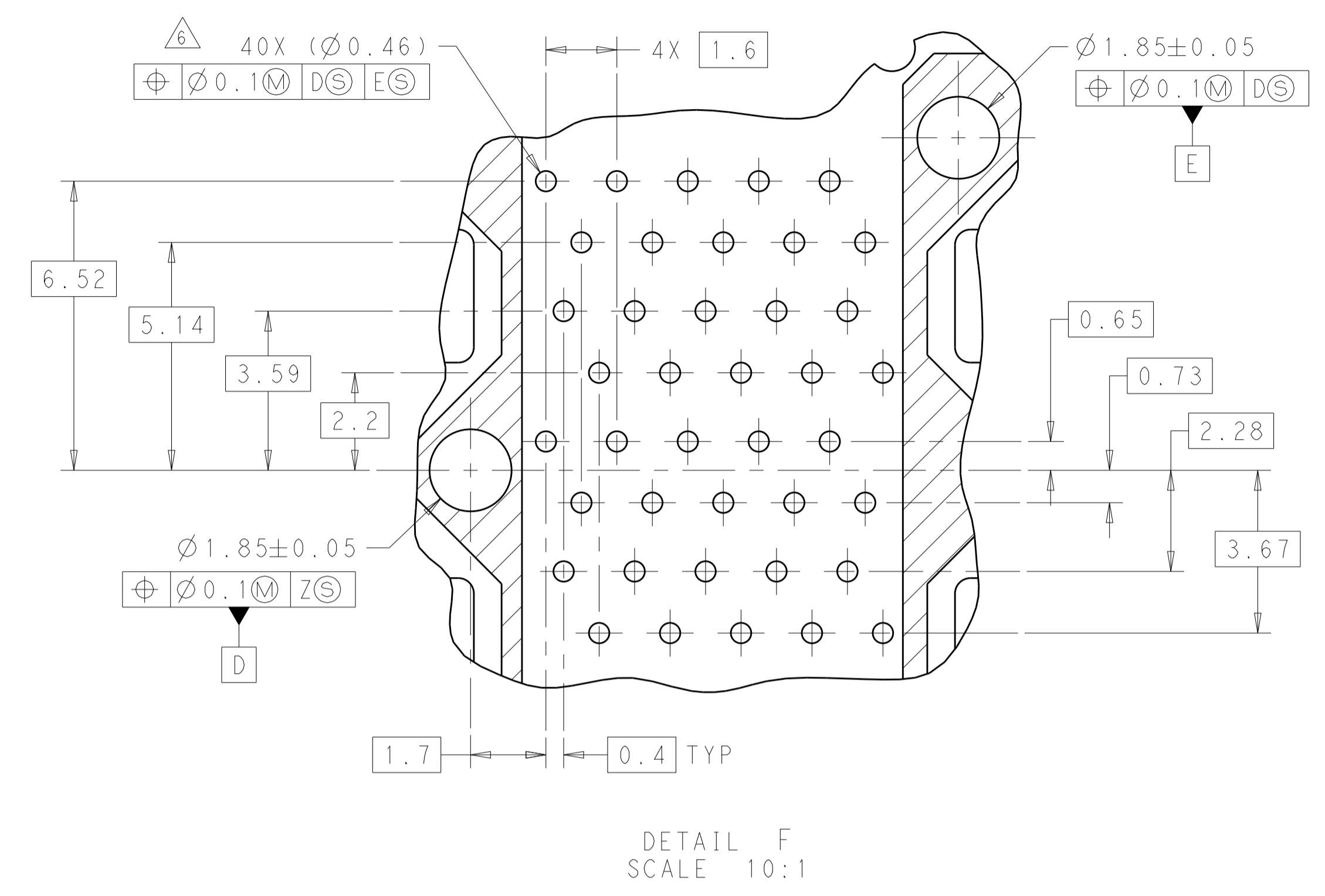
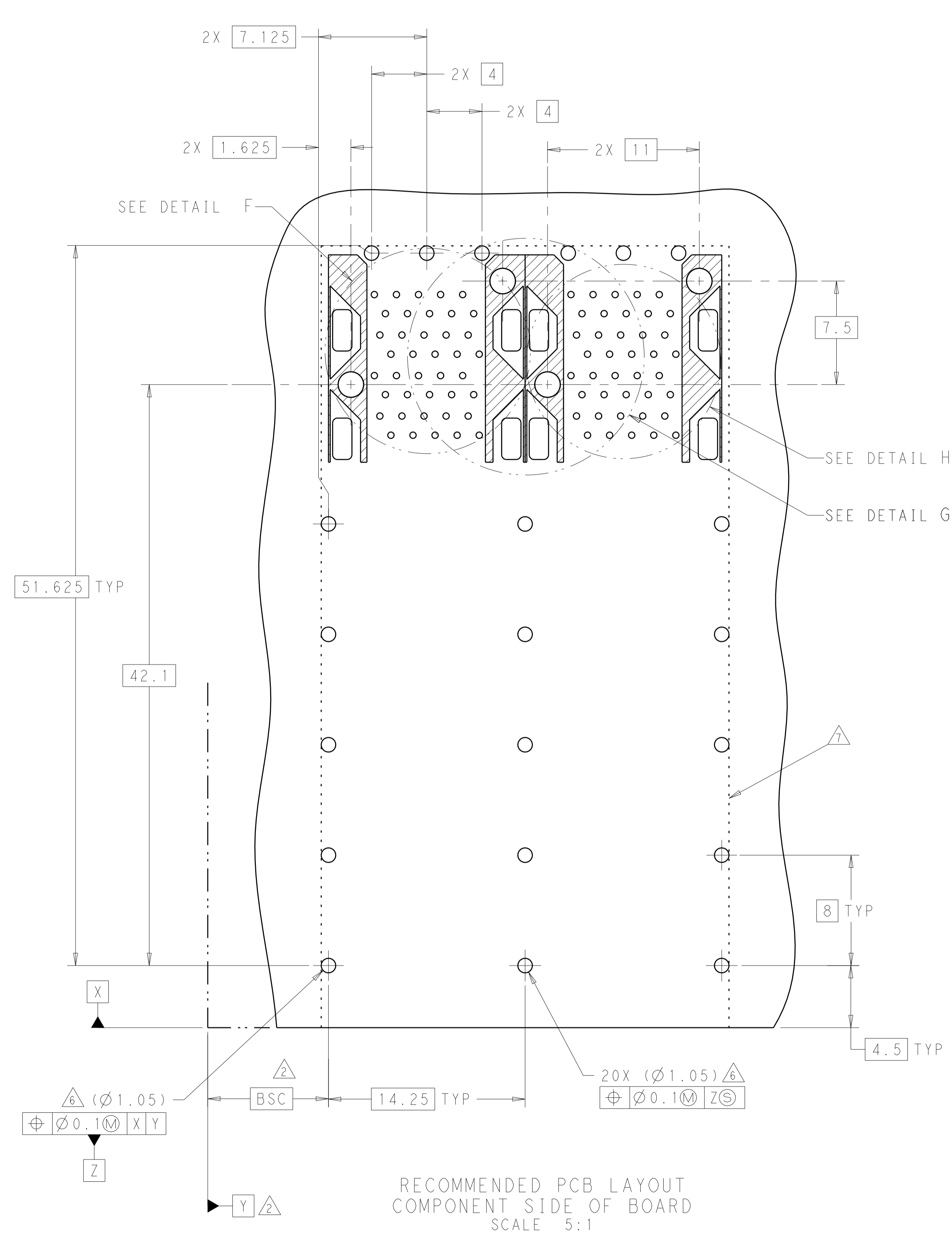
TE Connectivity

CAGE AND PT CONNECTOR ASSEMBLY, WITH EMI SPRINGS, PRESS FIT, 2X2, STACKED SFP

SIZE: A100779

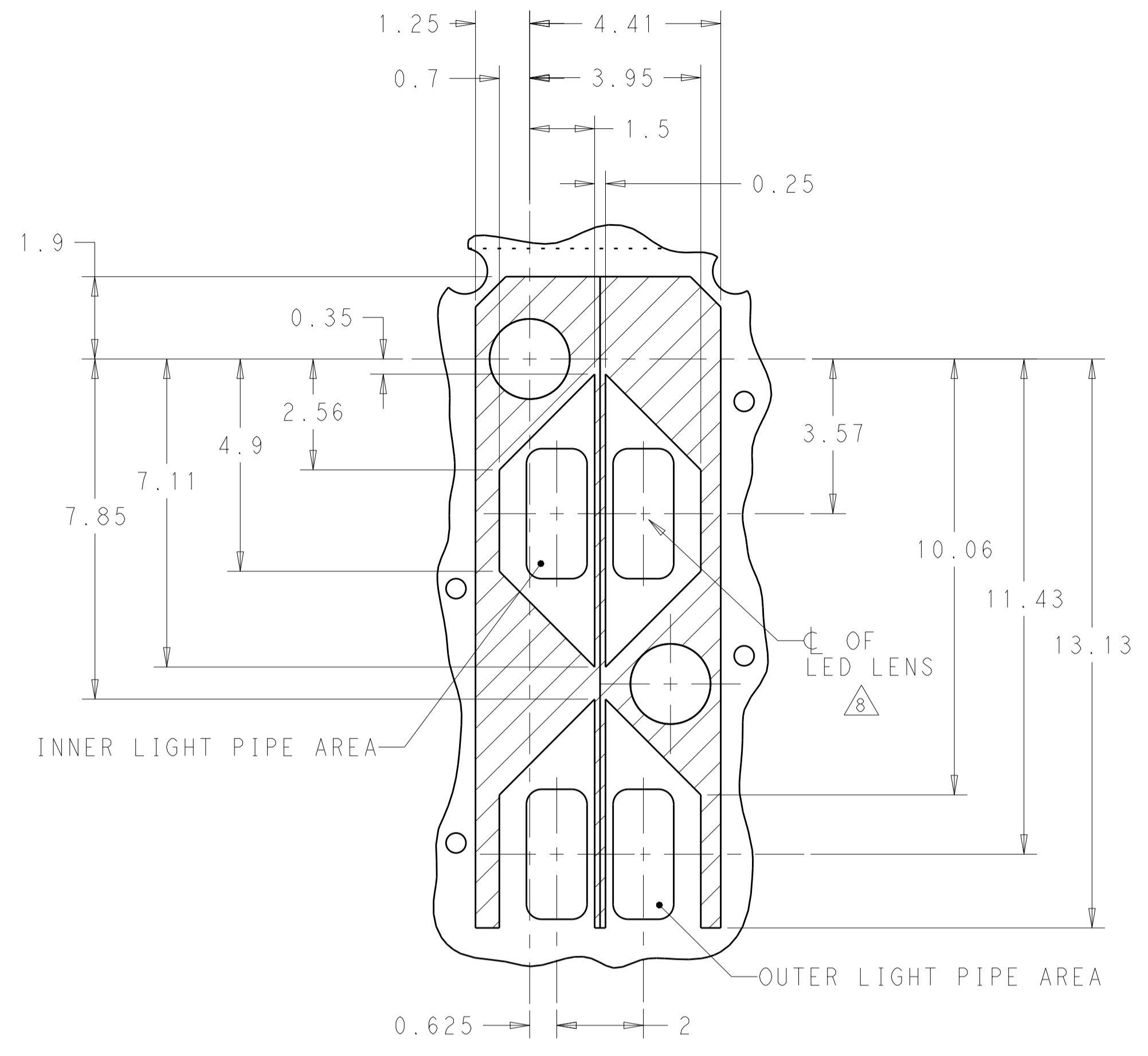
CAGE CODE: C=2110820

LOC		DIST		REVISIONS			
GP	00	P	LTN	DESCRIPTION	DATE	DMN	APVD
		-		SEE SHEET 1			

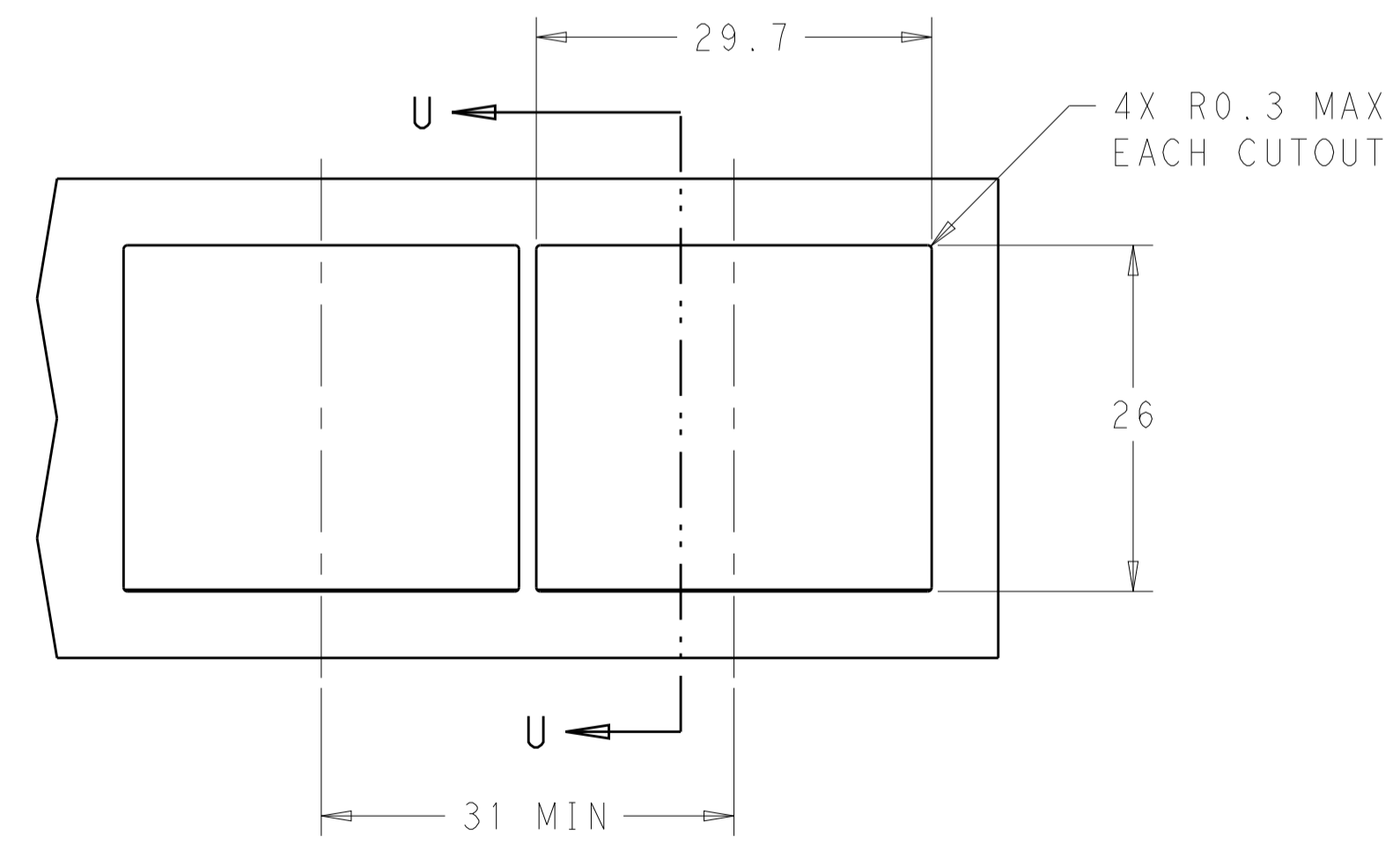


THIS DRAWING IS A CONTROLLED DOCUMENT.		DMN C. ROHLER 23JUL2009	TE Connectivity
DIMENSIONS:		CHK M. SCHMITT 23JUL2009	
mm	TOLERANCES UNLESS OTHERWISE SPECIFIED:	APVD M. SCHMITT 23JUL2009	NAME CAGE AND PT CONNECTOR ASSEMBLY, WITH EMI SPRINGS, PRESS FIT, 2X2, STACKED SFP
	0 PLC ±0.10 1 PLC ±0.10 2 PLC ±0.10 3 PLC ±0.10 4 PLC ±0.10 ANGLES ±°	PRODUCT SPEC 108-2331	SIZE A100779
MATERIAL	FINISH	APPLICATION SPEC 114-13103	DRAWING NO C=2110820
CUSTOMER DRAWING		WEIGHT	RESTRICTED TO
		SCALE 4:1	SHEET 3 OF 4
			REV F1

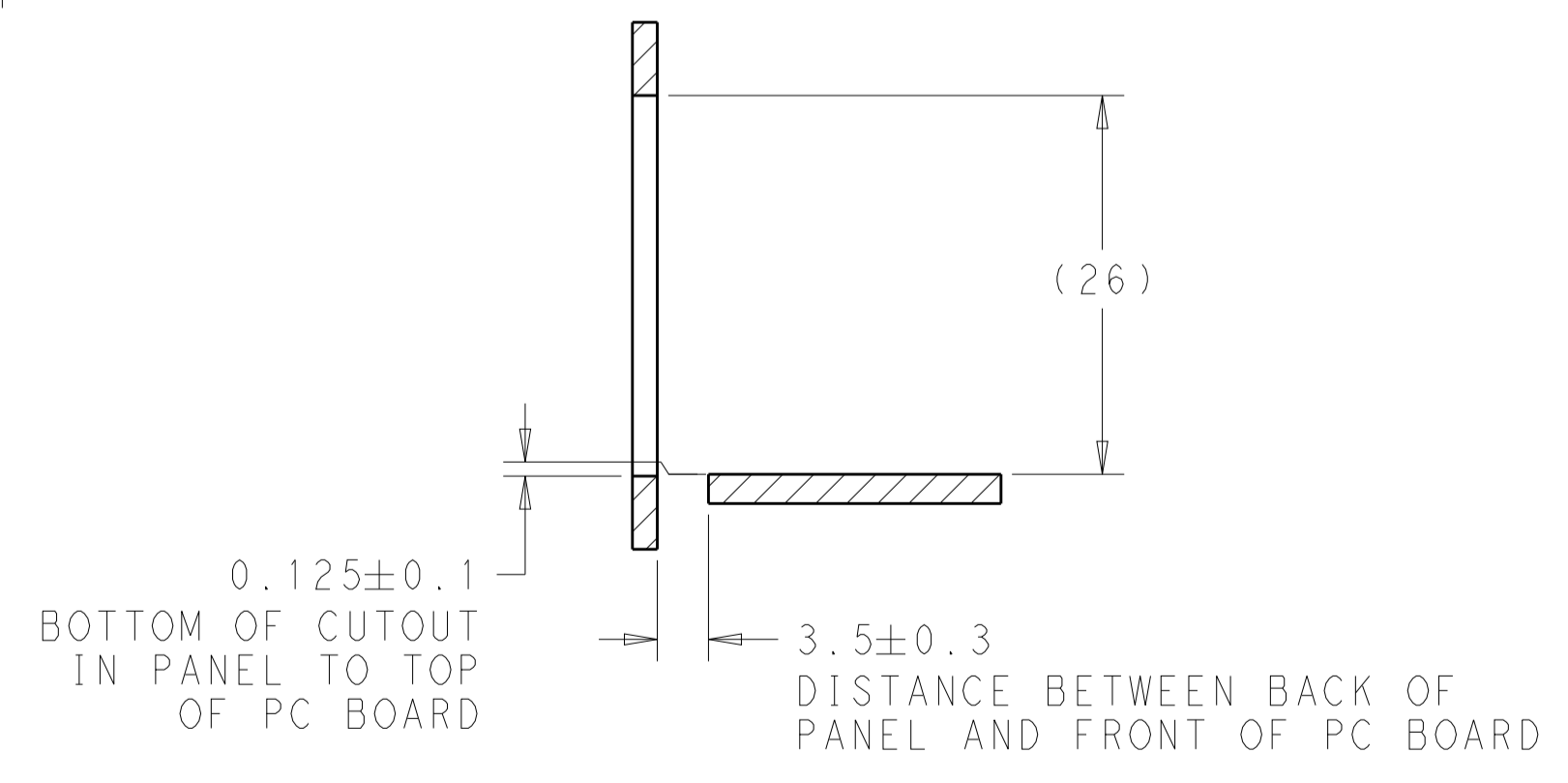
LOC	DIST	REVISIONS					
		P.	LTN	DESCRIPTION	DATE	DWN	APVD
GP	00	-	-	SEE SHEET 1	-	-	-



DETAIL G
 CONNECTOR HOUSING
 KEEPOUT ZONE
 SCALE 10:1



RECOMMENDED PANEL CUTOUT
 AND PC BOARD, PANEL POSITION
 SCALE 2:1



SECTION U-U

THIS DRAWING IS A CONTROLLED DOCUMENT.		DWN C. ROHLER 23JUL2009	TE Connectivity
DIMENSIONS:		CHK M. SCHMITT 23JUL2009	
mm	TOLERANCES UNLESS OTHERWISE SPECIFIED:	APVD M. SCHMITT 23JUL2009	NAME CAGE AND PT CONNECTOR ASSEMBLY, WITH EMI SPRINGS, PRESS FIT, 2X2, STACKED SFP
0 PLC ±0.10	1 PLC ±0.10	PRODUCT SPEC	SIZE A100779C=2110820
2 PLC ±0.10	3 PLC ±0.10	APPLICATION SPEC	RESTRICTED TO
4 PLC ±0.10	ANGLES ±°	114-13103	SCALE 4:1 SHEET 4 OF 4 REV F1
MATERIAL	FINISH	WEIGHT	CUSTOMER DRAWING

单击下面可查看定价，库存，交付和生命周期等信息

[>>TE Connectivity\(泰科\)](#)