

4

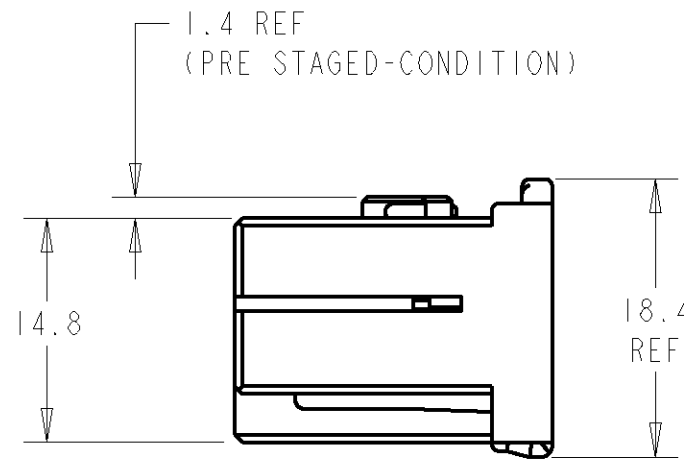
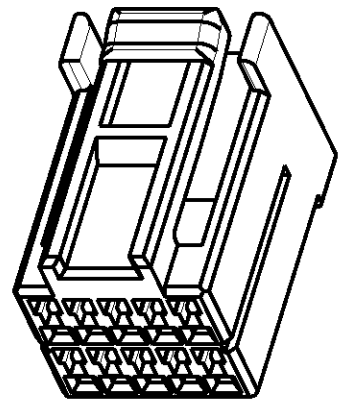
3

2

1

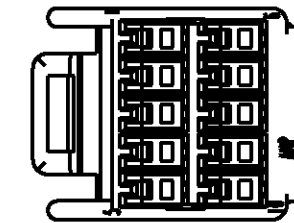
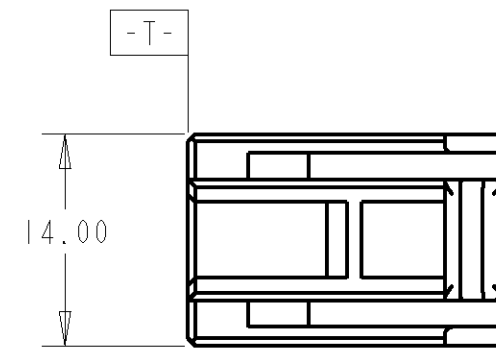
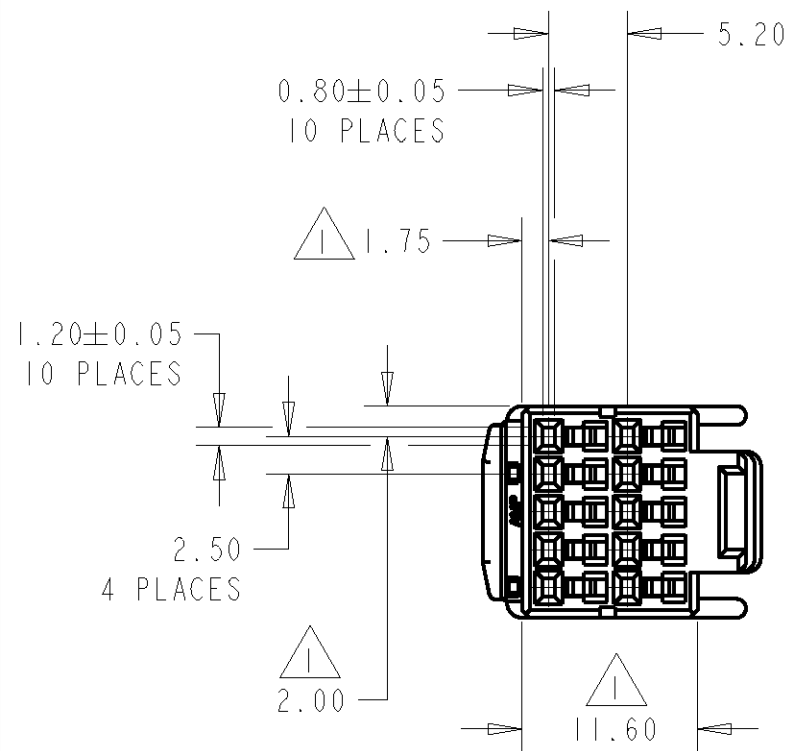
THIS DRAWING IS UNPUBLISHED. RELEASED FOR PUBLICATION .19
 © COPYRIGHT 20 BY AMP INCORPORATED. ALL RIGHTS RESERVED.

LOC	DIST	REVISIONS			
P	LTR	DESCRIPTION	DATE	DWN	APVD
FX	55	O	RELEASED PER 0K80-0336-04	08OCT2004	AG RMC
		A	REVISED PER 0K80-0401-04	21OCT2004	AG RMC
		B	REVISED PER EC 0K80-0036-05	24FEB2005	RGV RMC
		BI	REVISED PER ECR 05-001202	05MAR2007	DLD RMC



△ MUST BE KEPT BETWEEN [-T-] AND 2.00mm FROM [-T-]

2. APPLIED CONTACT PART NUMBERS:
 175265 TIN PLATING
 175266 SELECT GOLD PLATING.



WHITE	BLACK	1438794-2
WHITE	NATURAL	1438794-1
LOCK PLATE COLOR	HOUSING COLOR	PART NUMBER

THIS DRAWING IS A CONTROLLED DOCUMENT FOR AMP INCORPORATED. IT IS SUBJECT TO CHANGE AND THE CONTROLLING ENGINEERING ORGANIZATION SHOULD BE CONTACTED FOR THE LATEST REVISION.		DWN AJ GRAFF 08OCT04	AMP Tyco Electronics Harrisburg, PA 17105-3608	
DIMENSIONS: mm		CHK R COOPER 08OCT04		
TOLERANCES UNLESS OTHERWISE SPECIFIED: 0 PLC ±- 1 PLC ±0.3 2 PLC ±0.15 3 PLC ±- 4 PLC ±- ANGLES ±1°		APVD R COOPER 08OCT04	NAME 040 MULTILOCK, 10 POSITION, PLUG ASSEMBLY, WITH LOCK PLATE, KEY B	
MATERIAL PBT		FINISH -	PRODUCT SPEC 108-5342	APPLICATION SPEC -
		WEIGHT -	SIZE A3	CAGE CODE 00779
		CUSTOMER DRAWING	DRAWING NO 1438794	RESTRICTED TO -
		SCALE 2:1	SHEET 1	OF 1
			REV BI	

单击下面可查看定价，库存，交付和生命周期等信息

[>>TE Connectivity\(泰科\)](#)