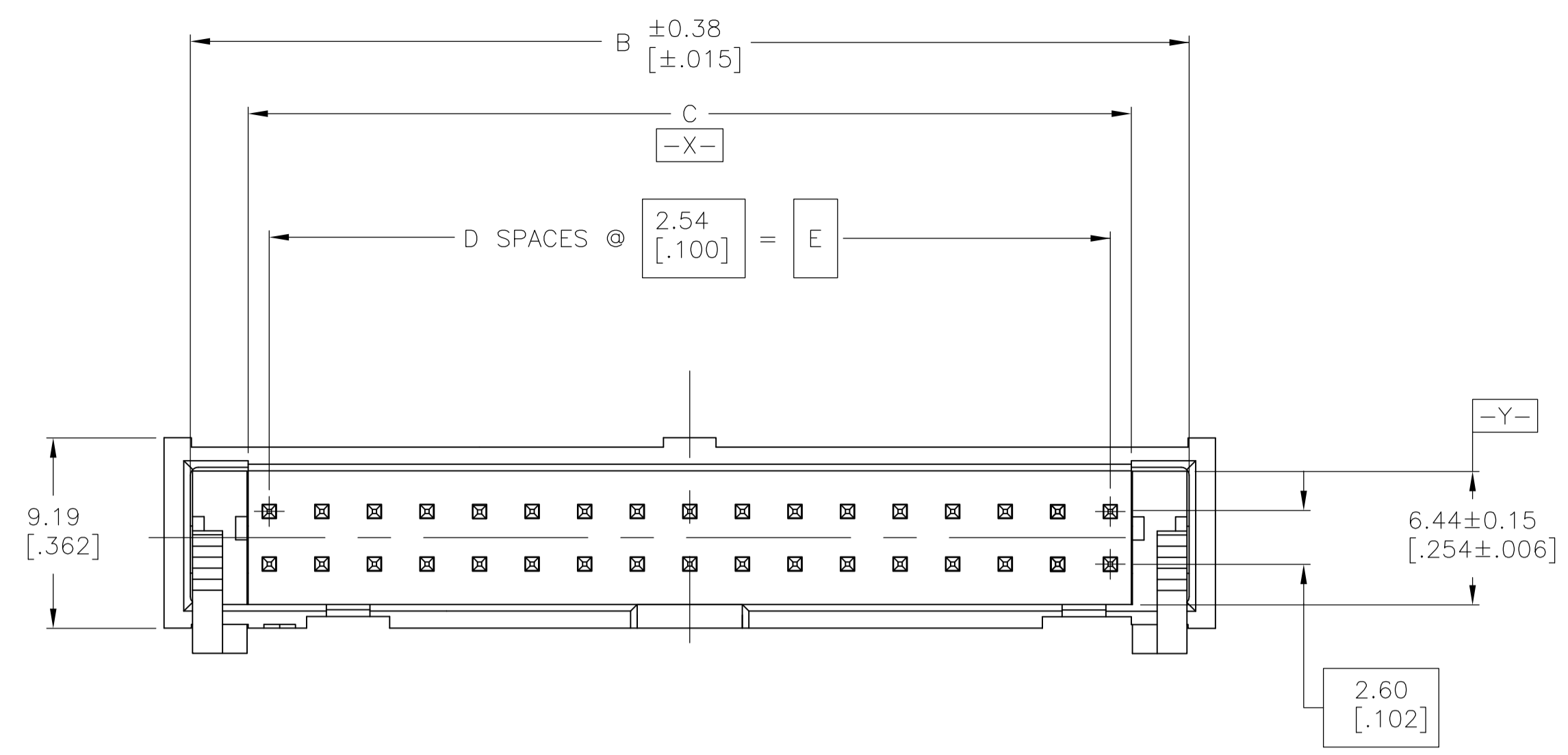
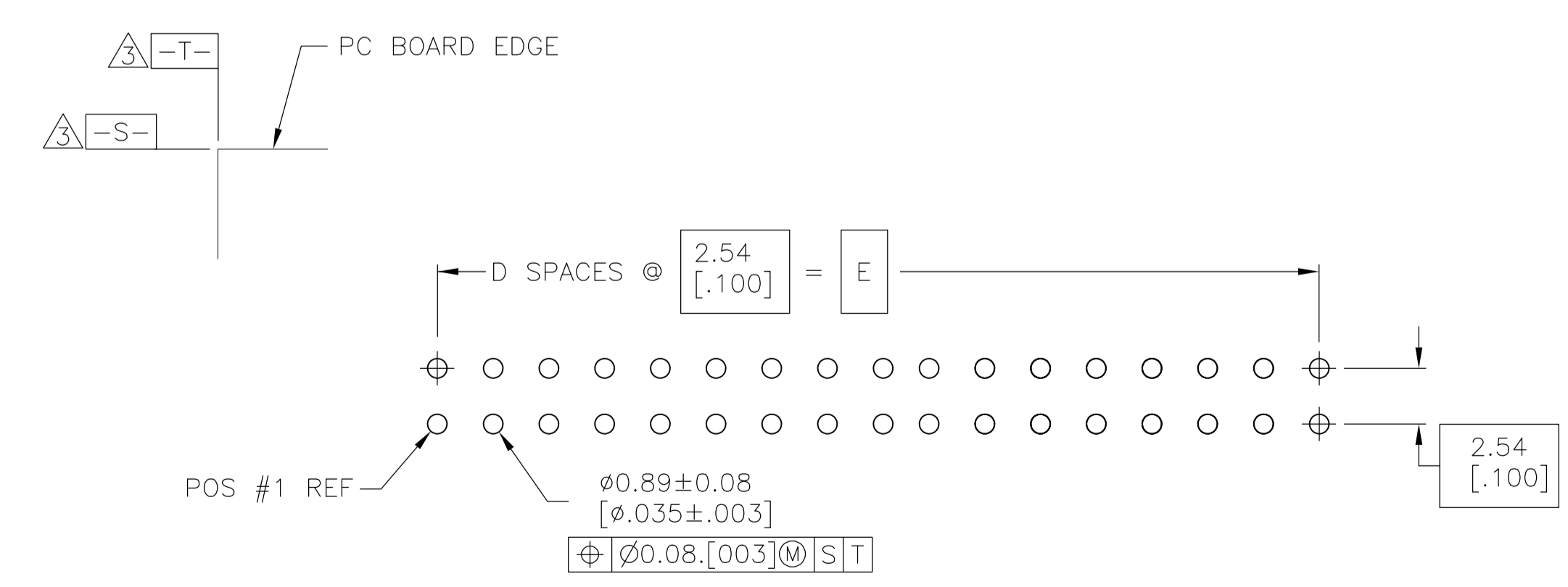
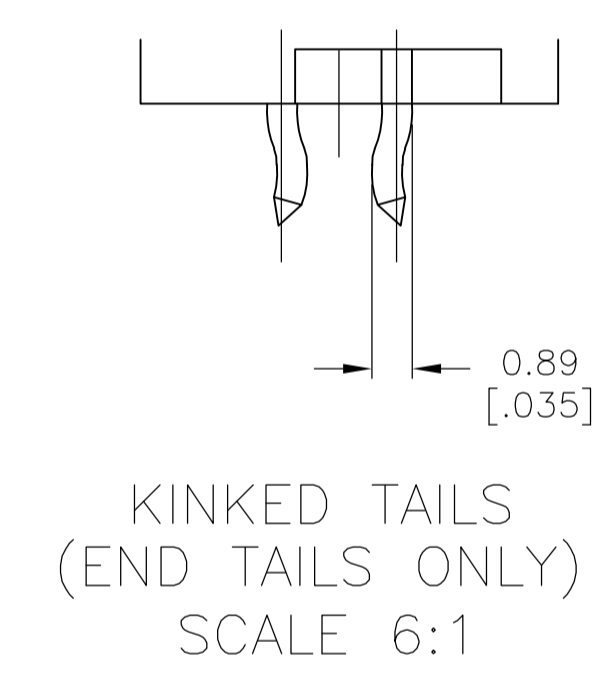
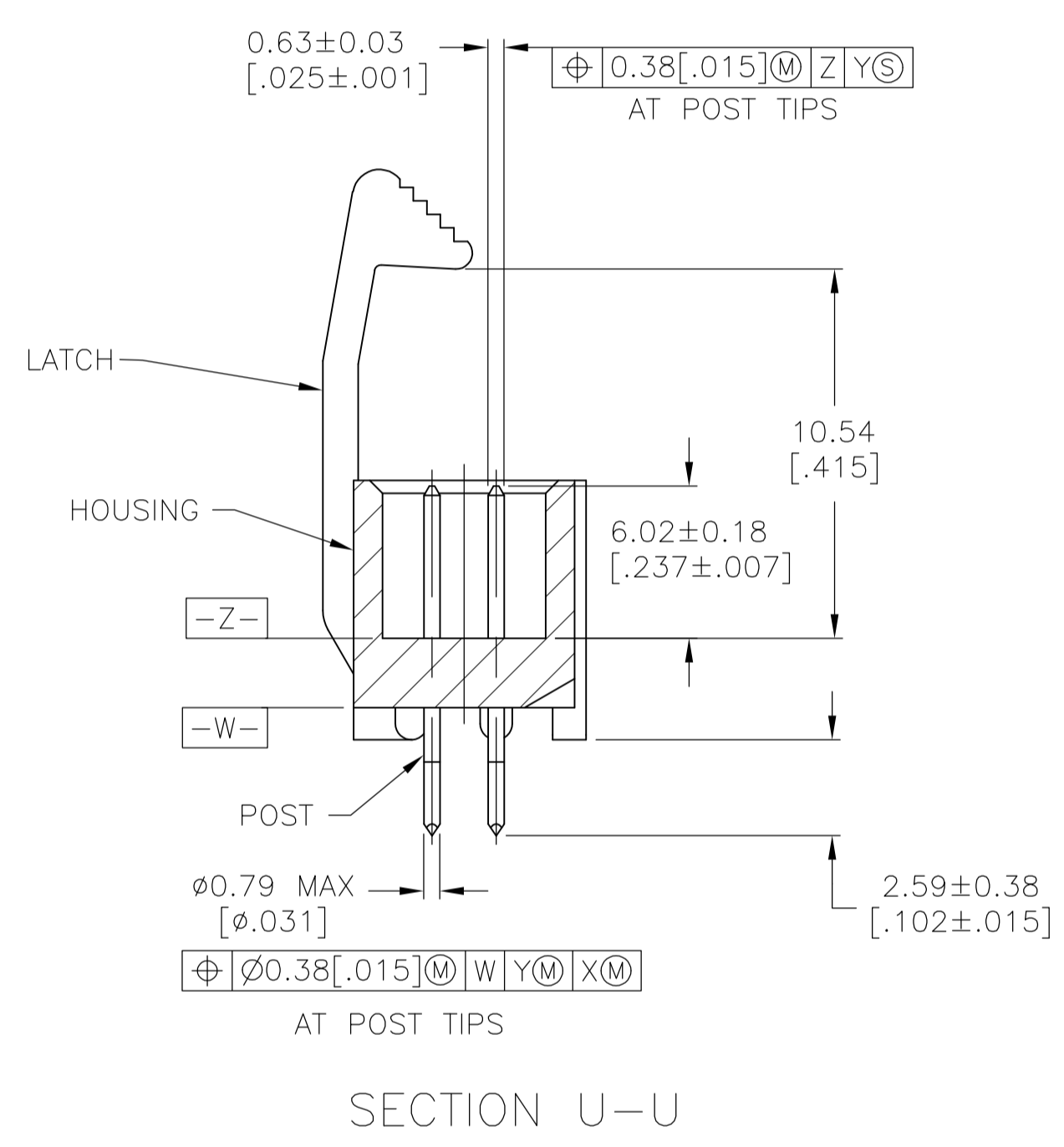
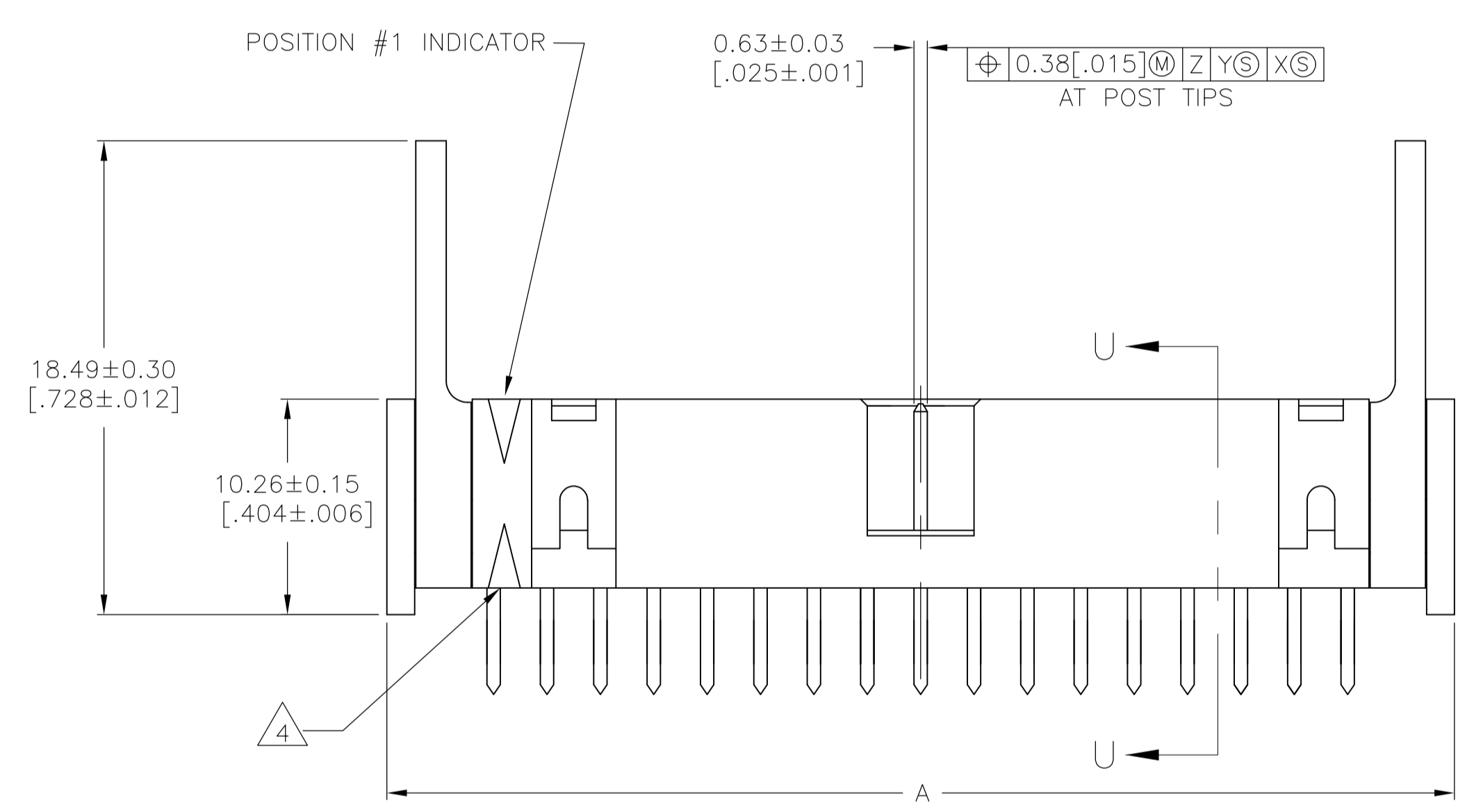


LOC		DIST		REVISIONS				
P	LTR	DESCRIPTION	DATE	DN	APVD			
D		REVISED PER ECO-09-002944	20MAR2009	CR	SB			



- 1 HOUSING: PBT, UL94V-0, COLOR: BLUE.
POSTS: PHOSPHOR BRONZE.
LATCHES: ZINC ALLOY.
- 2 POSTS: GOLD FLASH OVER
PALLADIUM-NICKEL PLATE, 0.76µm[.000030] MIN TOTAL ON MATING AREA,
2.54µm[.000100] MIN TIN PLATE ON THE SOLDER-TAIL, ALL OVER
1.27µm[.000050] MIN NICKEL UNDERPLATE ON ENTIRE POST.
OR
0.76µm[.000030] MIN GOLD PLATE ON MATING AREA,
2.54µm[.000100] MIN TIN PLATE ON THE SOLDER-TAIL, ALL OVER
1.27µm[.000050] MIN NICKEL UNDERPLATE ON THE ENTIRE POST.
LATCHES: BLACK NICKEL OVER COPPER.
- 3 DATUMS S & T TO BE ESTABLISHED BY CUSTOMER.
- 4 ALTERNATE LOCATION/ORIENTATION FOR POSITION #1 INDICATOR.



RECOMMENDED PC BOARD LAYOUT
(VIEWED FROM CONNECTOR SIDE)

40.64 [1.600]	16	42.67 [1.680]	48.16 [1.896]	50.80 [2.000]	34	3-1761721-1
E	D	C	B	A	NO OF POS	PART NUMBER

THIS DRAWING IS A CONTROLLED DOCUMENT.		DIN 01 MCMASSTER 07SEP05		Tyco Electronics Corporation	
DIMENSIONS: mm		CHK S.BOLASH 07SEP05		Harrisburg, PA 17105-3608	
TOLERANCES UNLESS OTHERWISE SPECIFIED:		APP'D M.WALMSLEY 07SEP05		NAME	
0 PLC ± -		PRODUCT SPEC		Tyco Electronics	
1 PLC ± -		APPLICATION SPEC		HEADER ASSEMBLY, VERTICAL, SHORT EJECT LATCH, LOW PROFILE, IDC	
2 PLC ± -		SIZE		CAGE CODE	
3 PLC ± 0.13(.005)		A1		00779	
4 PLC ± -		DRAWING NO		1761721	
ANGLES ± -		WEIGHT		RESTRICTED TO	
MATERIAL		CUSTOMER DRAWING		SCALE 4:1 SHEET 1 OF 1 REV D	

单击下面可查看定价，库存，交付和生命周期等信息

[>>TE Connectivity\(泰科\)](#)