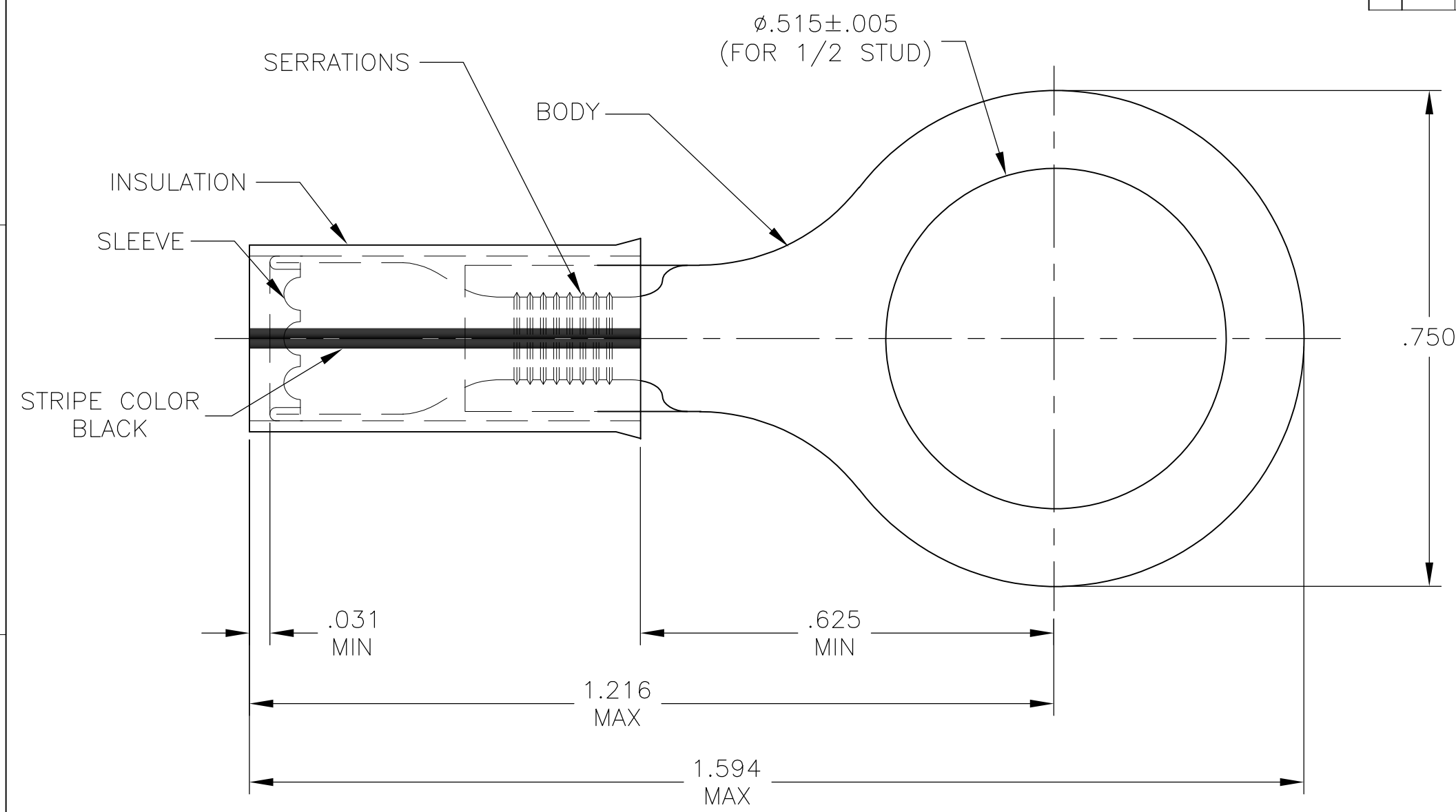


THIS DRAWING IS UNPUBLISHED. RELEASED FOR PUBLICATION
 © COPYRIGHT - By - ALL RIGHTS RESERVED.

LOC	DIST	REVISIONS					
G	02	P	LTR	DESCRIPTION	DATE	DWN	APVD
		G		REVISED PER ECO-14-015277	27FEB2015	NK	DR



- 1 STAMP AMP 16-14 HD* APPROX AS SHOWN.
- 2 FOR .150 TO .250 WIRE INSULATION DIA
- 3 TONGUE MATERIAL THK. = .048±.002

1	BODY: COPPER (ASTM B152) TIN PL (ASTM B 545)	WIRE TERMINAL	35316
	SLEEVE: COPPER (ASTM B152)		
	INSULATION: YELLOW NYLON		
QTY	MATERIAL & FINISH	DESCRIPTION	PART NO

THIS DRAWING IS A CONTROLLED DOCUMENT.		DWN NAGALAKSHMI K 04-17-70	STE TE Connectivity	
DIMENSIONS: INCHES		CHK <i>Reynolds</i> 04-21-70		
TOLERANCES UNLESS OTHERWISE SPECIFIED:		APVD <i>Livabe</i> 04-22-70	NAME WIRE TERMINAL P.I.D.G RING TONGUE WIRE SIZE: 16-14 HD	
0 PLC ± -		PRODUCT SPEC -	SIZE CAGE CODE DRAWING NO RESTRICTED TO	
1 PLC ± -		APPLICATION SPEC -	A3 00779 C-35316	
2 PLC ± -		WEIGHT -	SCALE 5:1 SHEET 1 OF 1 REV G	
3 PLC ± .008				
4 PLC ± -				
ANGLES ± 5'				
MATERIAL SEE TABLE		FINISH -		
		CUSTOMER DRAWING		

单击下面可查看定价，库存，交付和生命周期等信息

[>>TE Connectivity\(泰科\)](#)