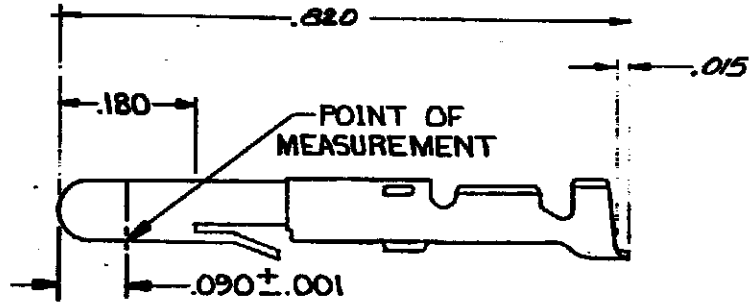


PART NO. 61174



1. FOR ADDITIONAL INFORMATION SEE DWG. 350079.
  2. THIS TERMINAL TO BE SUPPLIED IN INDIVIDUAL FORM, NOT AS CONTINUOUS STRIP.
- Ⓜ .000030 GOLD INSIDE WIRE BARREL + ON TIP OF PIN; REMAINDER OF CONTACT IS NICKEL PLATED.

PART NO.	WIRE SIZE	INSULATION RANGE	MATERIAL & FINISH
61174-1	#30-#22	.040-.075 or (2) .040 MAX	.012 BRASS TIN
61174-5	#30-#22	.040-.075 or (2) .040 MAX	.012 BRASS GOLD Ⓜ

DIMENSIONS IN INCHES, DO NOT SCALE PRINT.

© 1967 BY AMP INCORPORATED, ALL RIGHTS RESERVED. AMP PRODUCTS COVERED BY PATENTS AND/OR PATENTS PENDING.					<b>CUSTOMER COPY REFERENCE ONLY</b>	
MATERIAL AND FINISH SEE TABLE					AMP INCORPORATED HARRISBURG, PENNSA	
WIRE — RANGE — INSULATION SEE TABLE   SEE TABLE					TYPE ————— X —————	
TOLERANCE EXCEPT AS NOTED ± 0.15    ± 1" 0'    4X1					LOC. A NO. 61174 H	
LTR REVISION RECORD    DR    CHK    DATE					NAME LOOSE PIECE MATE-N-LOK PIN	
DR J.R. KUNKLE    DE CHK    APP					DATE 7/3/67	

单击下面可查看定价，库存，交付和生命周期等信息

[>>TE Connectivity\(泰科\)](#)