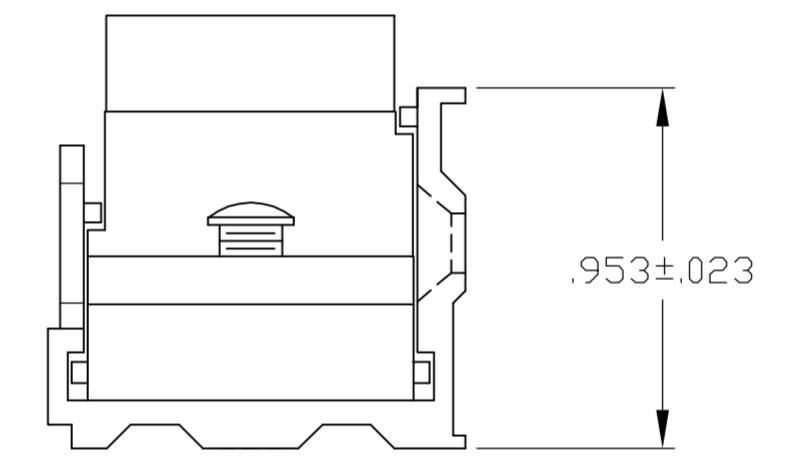
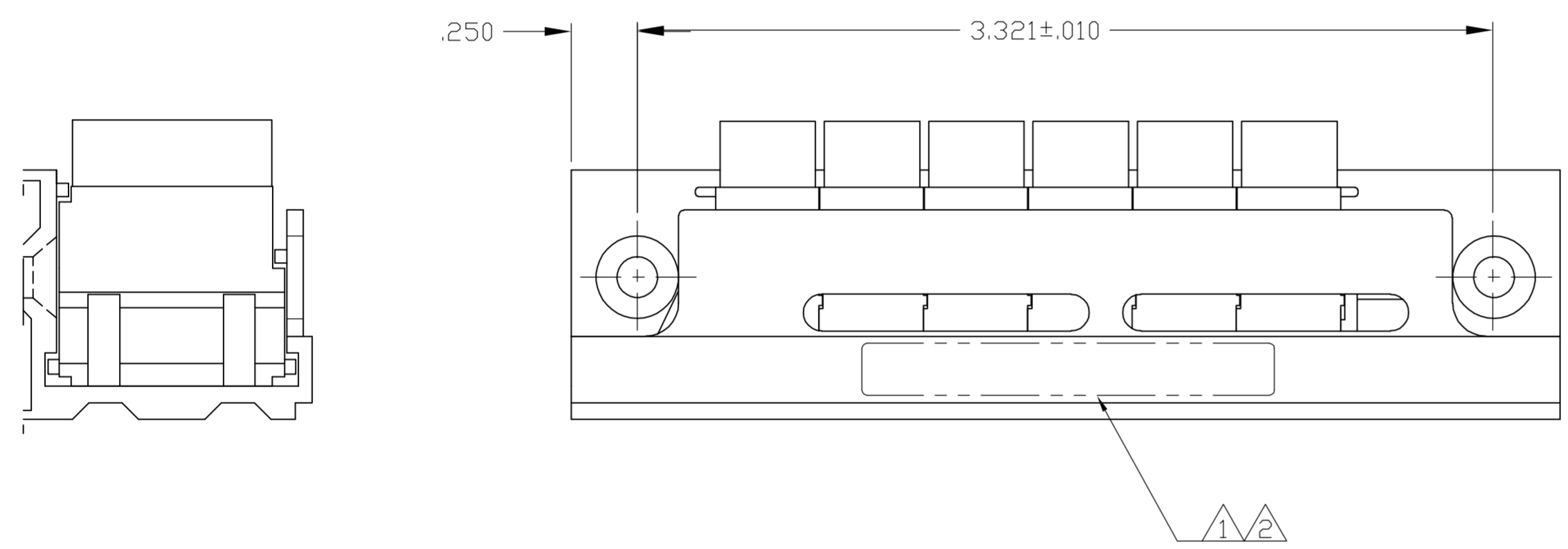
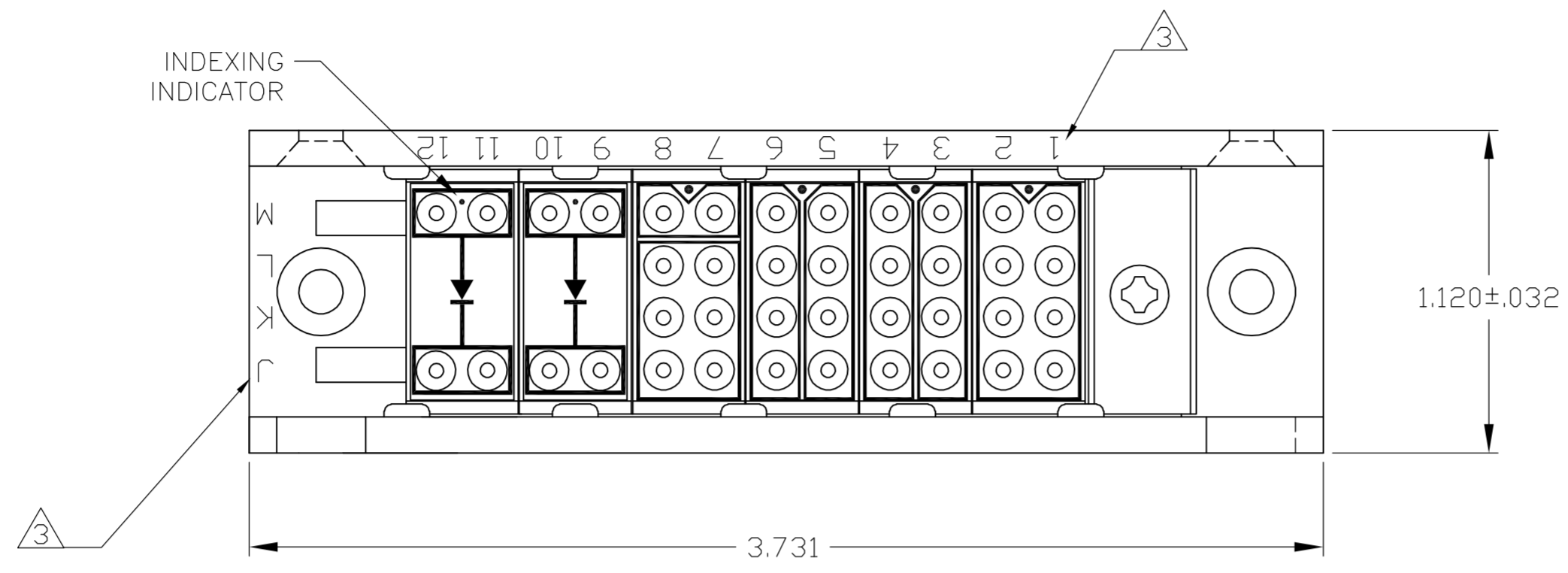


THIS DRAWING IS UNPUBLISHED. RELEASED FOR PUBLICATION  
 © COPYRIGHT BY TYCO ELECTRONICS CORPORATION. ALL RIGHTS RESERVED.

LOC		DIST		REVISIONS			
P	LTR	DESCRIPTION		DATE	DWN	APVD	
DF	A0	C		REV PER ECO 06-00669	1-16-06	CT	DE



- ① CUSTOMER PART NO. 12220BE-01A, MARKED IN AREA SHOWN.
- ② RAIL MARKED WITH "AMP", AMP PART NUMBER AND DATE CODE IN AREA SHOWN.
- ③ TOP OF RAIL ASSEMBLY MARKED WITH ZONE IDENTIFICATION AS SHOWN.
- ④ ROLLS-ROYCE QUALITY SPECIFICATION CQC-103 IS INVOKED.

② ③	5-591629-1
SUPERSEDED BY -1	591629-2
① ② ③ ④	591629-1
REMARKS	PART NO.

THIS DRAWING IS A CONTROLLED DOCUMENT.		DWN C.C.THOMAS 16JAN2006	Tyco Electronics Corporation Harrisburg, PA 17105-3608	
DIMENSIONS: INCHES		CHK D.EABY 1-16-06	NAME MODULE BLOCK/MOUNTING RAIL ASSY,SIZE 16,TJ	
TOLERANCES UNLESS OTHERWISE SPECIFIED:		APVD D.EABY 1-16-06	RESTRICTED TO	
0 PLC ± -		PRODUCT SPEC	SIZE A2	CAGE CODE 00779
1 PLC ± -		APPLICATION SPEC	DRAWING NO C=591629	SCALE 2:1
2 PLC ± -		WEIGHT	SHEET 1 of 1	REV C
3 PLC ± .015		CUSTOMER DRAWING		
4 PLC ± -				
ANGLES ± -				
FINISH				

单击下面可查看定价，库存，交付和生命周期等信息

[>>TE Connectivity\(泰科\)](#)