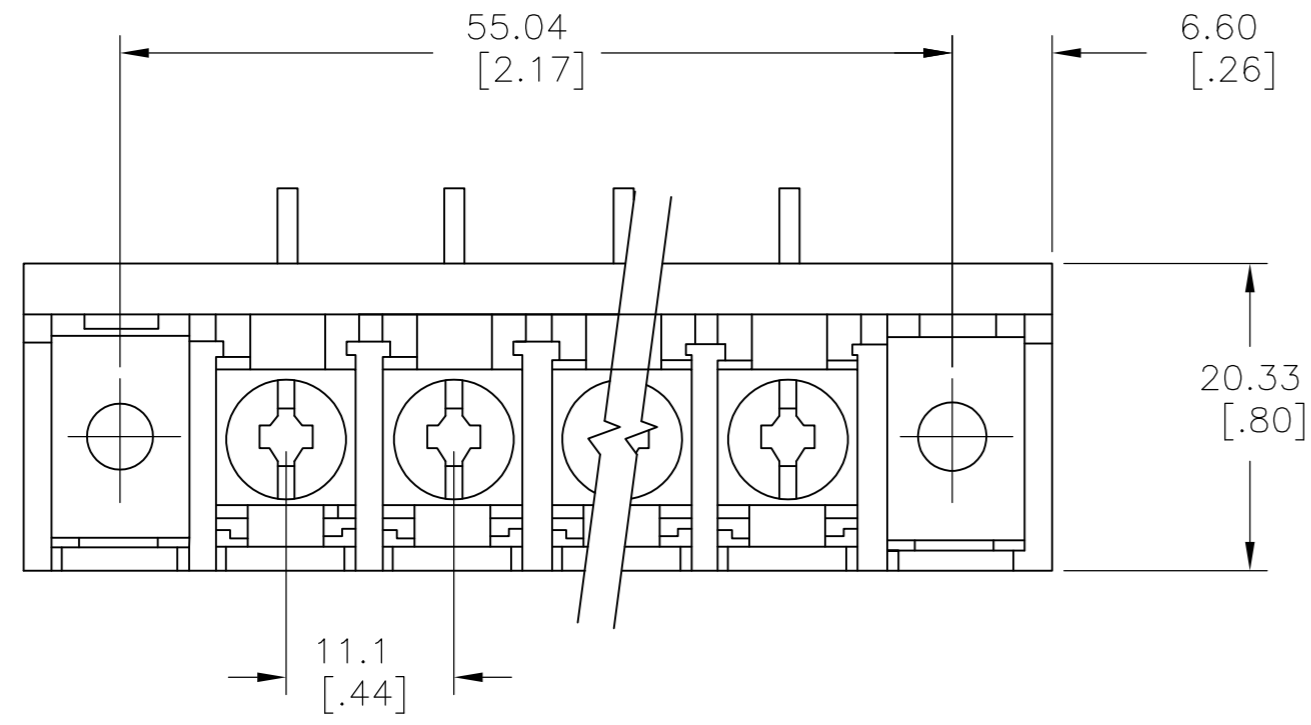
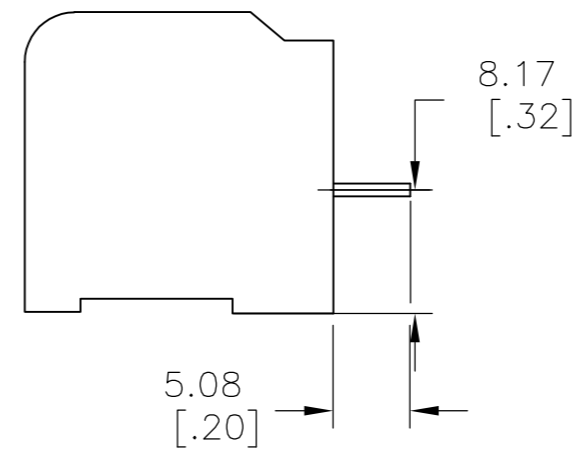
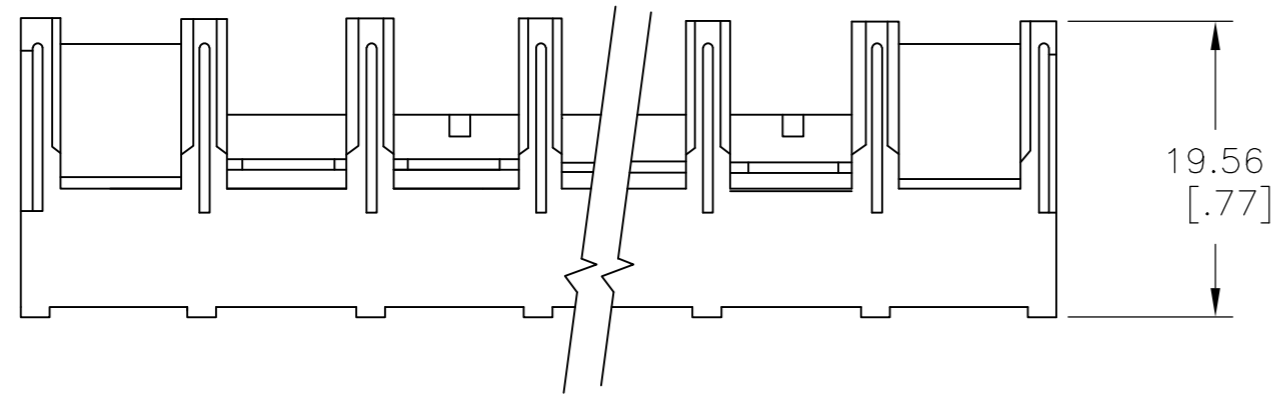


THIS DRAWING IS UNPUBLISHED. RELEASED FOR PUBLICATION
 © COPYRIGHT - By - ALL RIGHTS RESERVED.

LOC		DIST		REVISIONS			
P	LTR	DESCRIPTION		DATE	DWN	APVD	
	A2	REVISED PER ECO-11-020526		12OCT11	KH	MS	



1 ALL SCREWS TO BE BOTTOMED; TORQUED TO 2 TO 4 INCH LBS



3.573	6	8PCR-06-008	3-1437657-9
2.698	4	8PCR-04-008	3-1437657-2
1.823	2	8PCR-02-008	796875-2
DIM A REF	NO OF POS	CATALOG NUMBER	TE PART NO

THIS DRAWING IS A CONTROLLED DOCUMENT.		DWN	04SEP2008	TE Connectivity	
DIMENSIONS: mm [INCHES]		CHK	RAGHAVENDRA 04SEP2008	8PCR-XX-008=8 TRIBARRIER-BL	
TOLERANCES UNLESS OTHERWISE SPECIFIED:		APVD	SAM MACE 04SEP2008		
0 PLC ± -		PRODUCT SPEC	SAM MACE 04SEP2008	SIZE	CAGE CODE
1 PLC ± -		APPLICATION SPEC		A2	00779
2 PLC ± -		WEIGHT		DRAWING NO	
3 PLC ± 0.13[.005]				C=3-1437657-2	
4 PLC ± -				RESTRICTED TO	
ANGLES ± 1°				SCALE	SHEET
MATERIAL	FINISH			2:1	1 of 1
		CUSTOMER DRAWING		REV	A2

单击下面可查看定价，库存，交付和生命周期等信息

[>>TE Connectivity\(泰科\)](#)