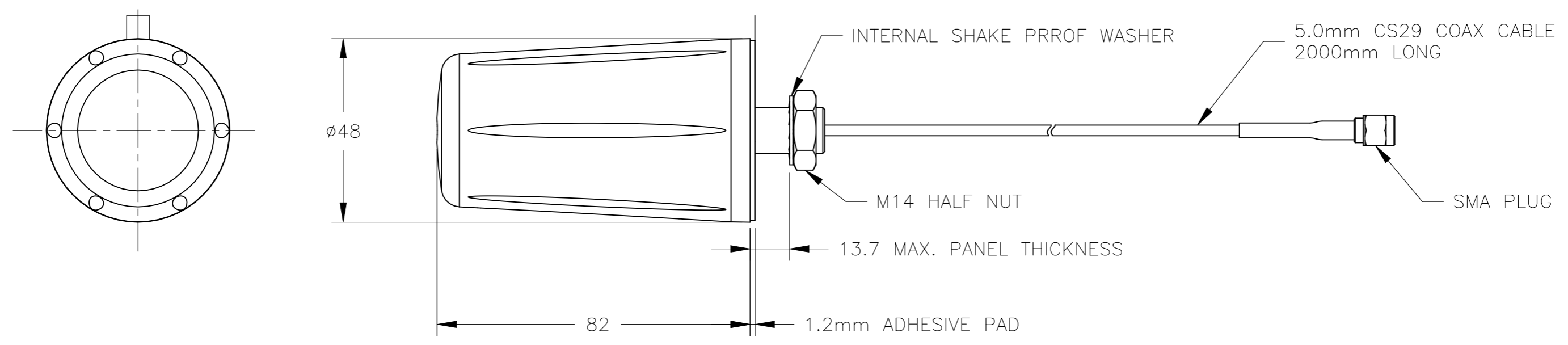


THIS DRAWING IS UNPUBLISHED. RELEASED FOR PUBLICATION
 © COPYRIGHT - By - ALL RIGHTS RESERVED.

REVISIONS					
P	LTR	DESCRIPTION	DATE	DWN	APVD
	A1	FREQUENCY RANGE UPDATED	15DEC2020	GK	SE

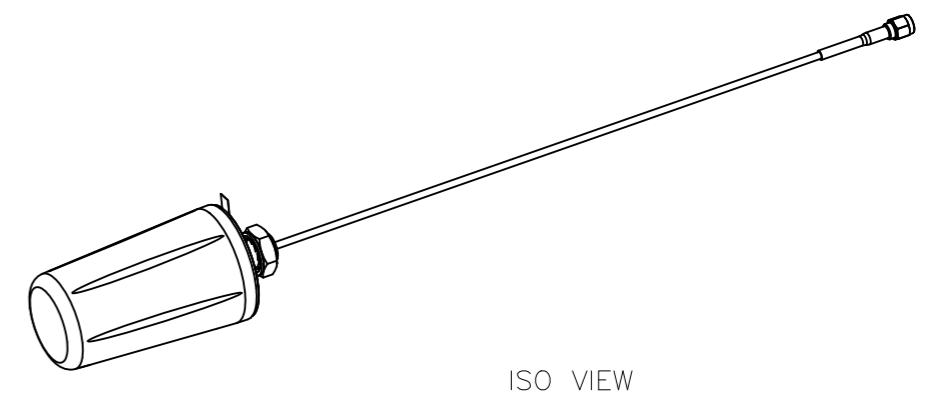
PROJECT NO.	PRJ-16-000905033
PART NO.	1-2316881-1
HV DESC.	SISO M2M/IOT LTE ANTENNA 2M CABLE
CUSTOMER	GENERAL MARKET

OPERATING FREQUENCIES:
 698 - 960 / 1710-6000 MHz




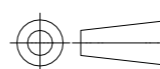
NOTES:

1. ALL MATERIALS SUPPLIED MUST BE RoHS2 (DIRECTIVE 2011/65/EU) COMPLIANT AND MUST NOT CONTAIN ANY SUBSTANCES OF VERY HIGH CONCERN (SVHCs) LISTED UNDER REACH OR POLY-AROMATIC HYDROCARBONS (PAHs), OR PERSISTENT ORGANIC POLLUTANTS (POPs) CONTROLLED BY THE STOCKHOLM CONVENTI.
2. OPERATING TEMPERATURE -40 TO + 80°C.
3. MAX. INPUT POWER: 60W.
4. MATERIAL: HIGH IMPACT UV STABLE ABS.
5. PEAK GAIN (dBi): 5
6. PANEL MOUNTED WITH 14mm MOUNTING BUSH.
7. PATTERN: OMNI-DIRECTIONAL.
8. SUPPLIED WITH A CONVENIENT ADHESIVE PAD AND A SHORT PIGTAIL FOR CONNECTION TO A CABLE EXTENSION RUN THE ANTENNA IS COST EFFECTIVE TO INSTALL AND ADAPTABLE TO ANY INSTALL ENVIRONMENT.
9. WEIGHT: 331 gr.



ISO VIEW

1-2316881-1	SISO M2M/IOT LTE ANTENNA 2M CABLE	BLACK/WHITE COLOR
TE P/N	DESCRIPTION	REMARKS

THIS DRAWING IS A CONTROLLED DOCUMENT.		DWN KIRAN K 21FEB2017	 TE Connectivity				
DIMENSIONS: mm		CHK KIRAN K 21FEB2017				NAME	
		APVD S EGBERT 21FEB2017				SISO M2M/IOT LTE ANTENNA 2M CABLE	
TOLERANCES UNLESS OTHERWISE SPECIFIED:		PRODUCT SPEC				RESTRICTED TO	
MATERIAL		FINISH	APPLICATION SPEC	SIZE	CAGE CODE	DRAWING NO	RESTRICTED TO
-		-	-	A3	00779	C-2316881	-
CUSTOMER DRAWING			WEIGHT	SCALE	SHEET	REV	
				NTS	1 OF 1	A1	

单击下面可查看定价，库存，交付和生命周期等信息

[>>TE Connectivity\(泰科\)](#)