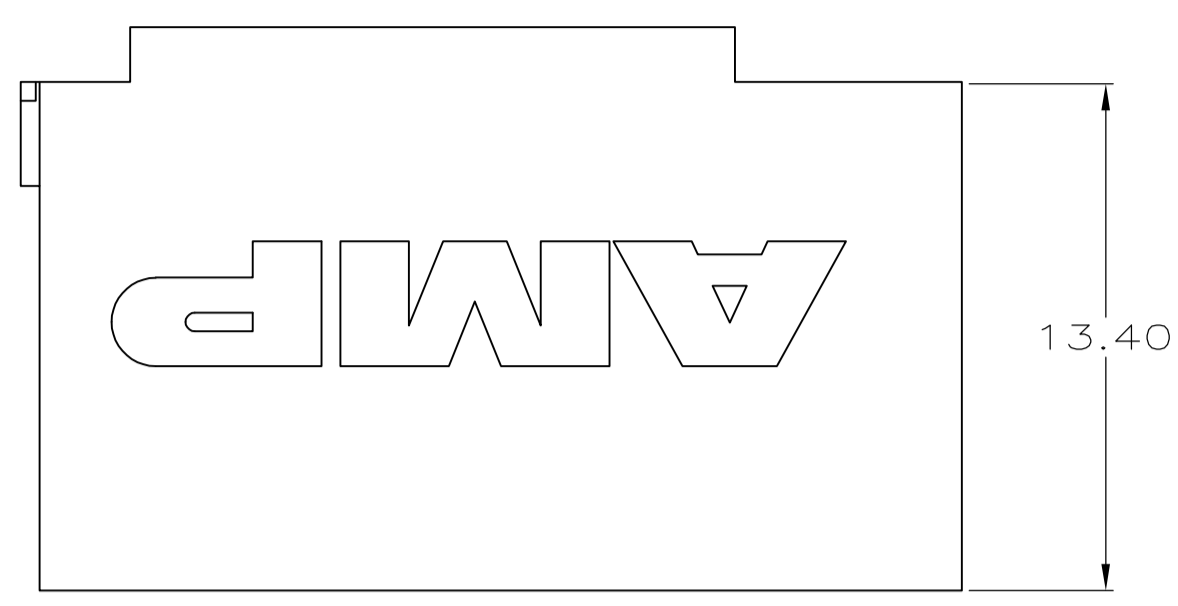
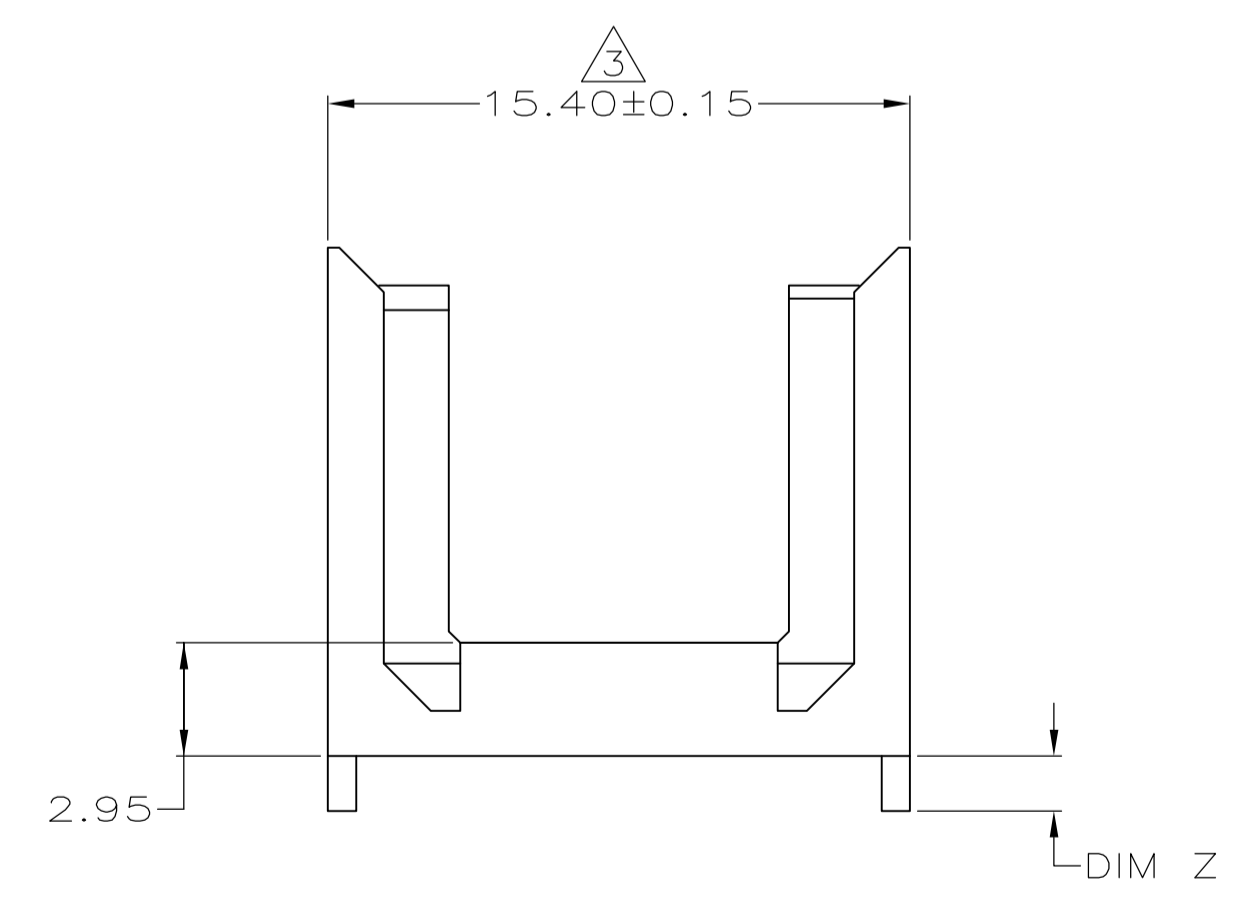
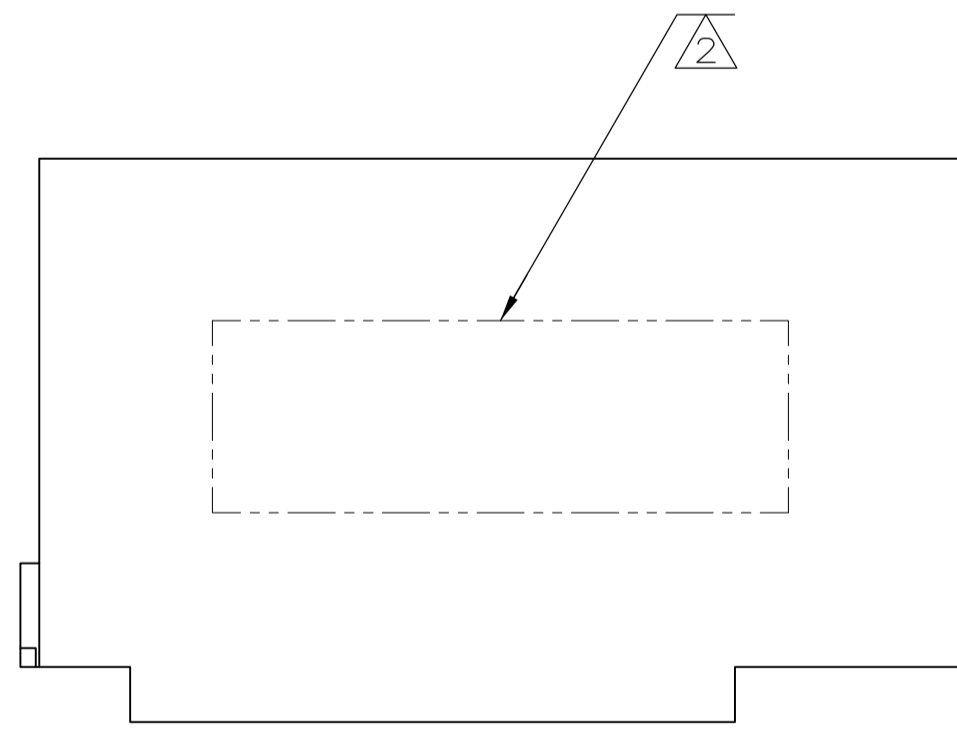
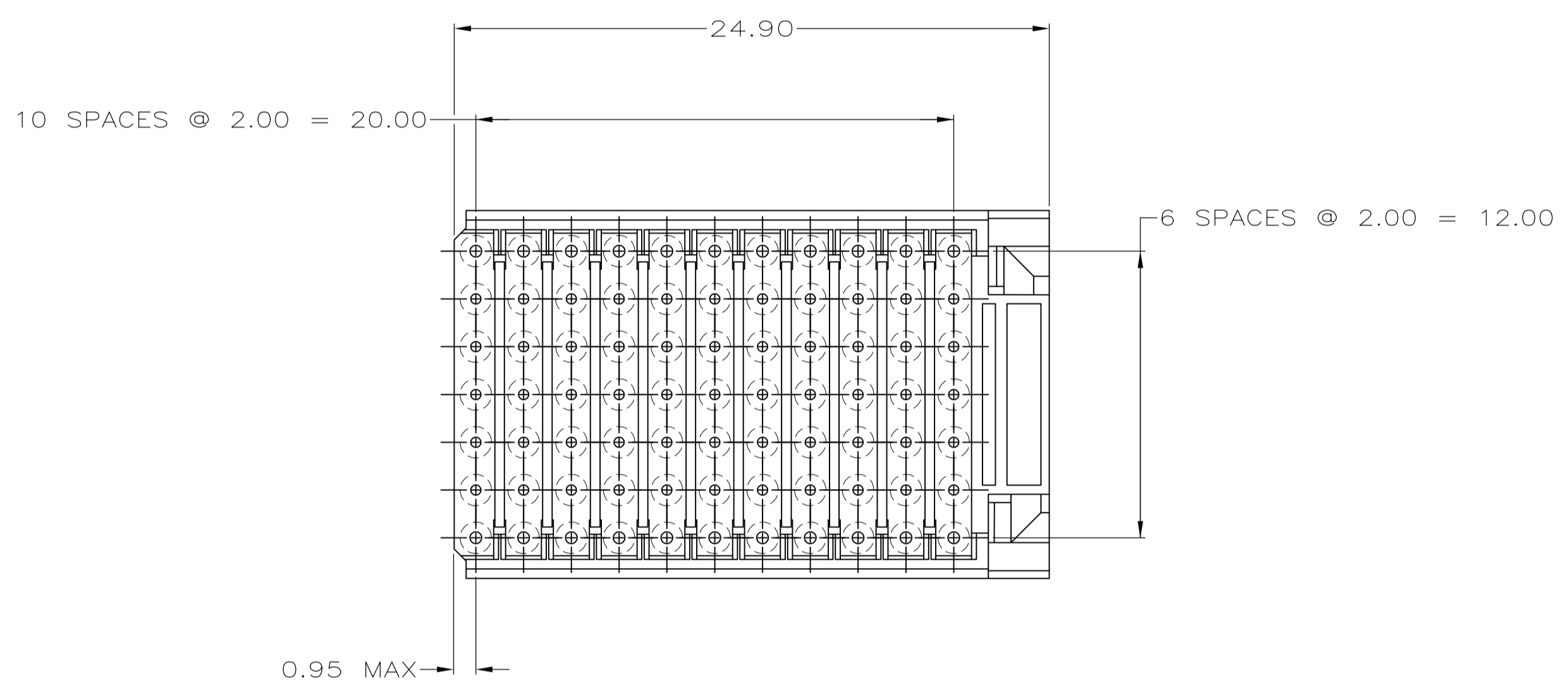


LOC		DIST		REVISIONS			
AD	47	SP	LTR	DESCRIPTION	DATE	DWN	APVD
		C		REV PER EC 0U1B-0192-01	27 JUN 01	BC	RP
		C1		REVISED PER ECO-10-000443	15JAN10	KK	AEG
		D		ECR-10-019054	15SEP10	DP	MQW



- ① MATERIAL: GLASS FILLED POLYESTER.
- ② PART NUMBER MARKED IN APPROXIMATE AREA SHOWN.
- ③ TO BE MEASURED AT BASE OF SHROUD.
- ④ OBSOLETE PARTS: OBSOLETE CIS STREAMLINING PER D.RENAUD/D.SINISI



④ OBSOLETE	1.90	646480-7
④ OBSOLETE	1.70	646480-6
	1.50	646480-5
	1.30	646480-4
④ OBSOLETE	1.10	646480-3
	0.90	646480-2
		646480-1
	DIM Z	PART NUMBER

THIS DRAWING IS A CONTROLLED DOCUMENT		DWN T. SHUEY 6-16-98	AMP Incorporated Harrisburg, PA 17105-3608
DIMENSIONS: mm		CHK G. SKIPPER 11-23-98	NAME SHROUD, TYPE C,Z-PACK 2mm HM, 5 ROW, 77 POSITION
TOLERANCES UNLESS OTHERWISE SPECIFIED:		APVD G. SKIPPER 11-23-98	RESTRICTED TO
0-PLG	±	PRODUCT SPEC	
1-PLG	±	APPLICATION SPEC	
2-PLG	±0.05	WEIGHT	
3-PLG	±0.2	CUSTOMER DRAWING	
4-PLG	±	SCALE	5:1
ANGLES	±	SHEET	1 OF 1
MATERIAL	①	SIZE	A100779
FINISH		DRAWING NO	646480
		REV	D

单击下面可查看定价，库存，交付和生命周期等信息

[>>TE Connectivity\(泰科\)](#)