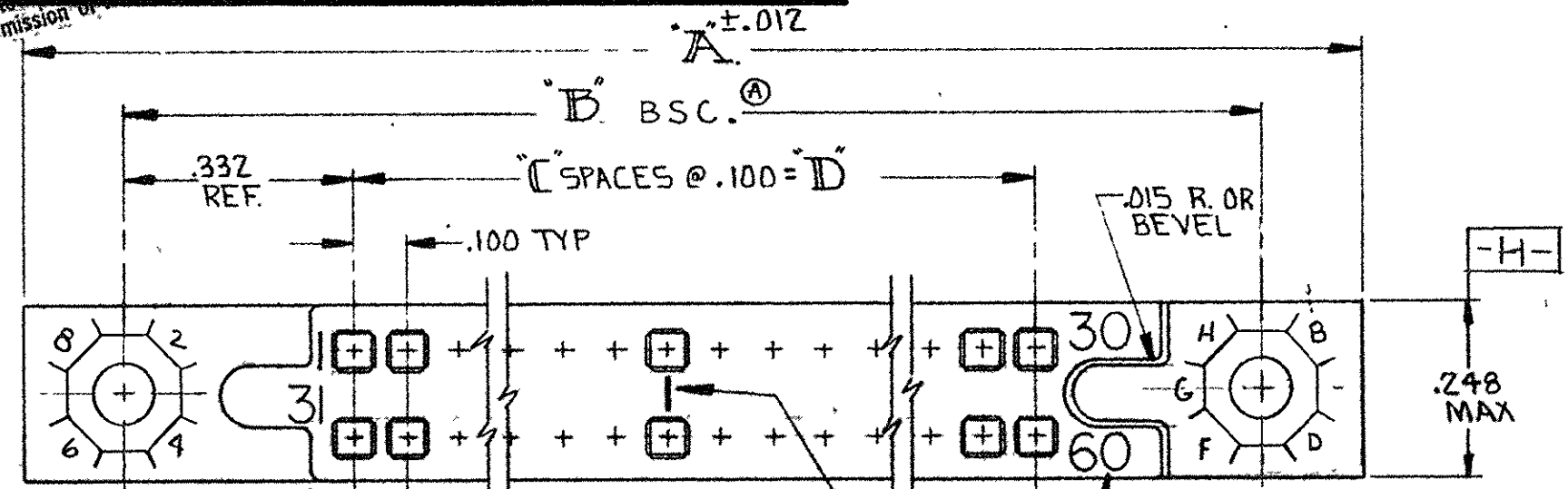


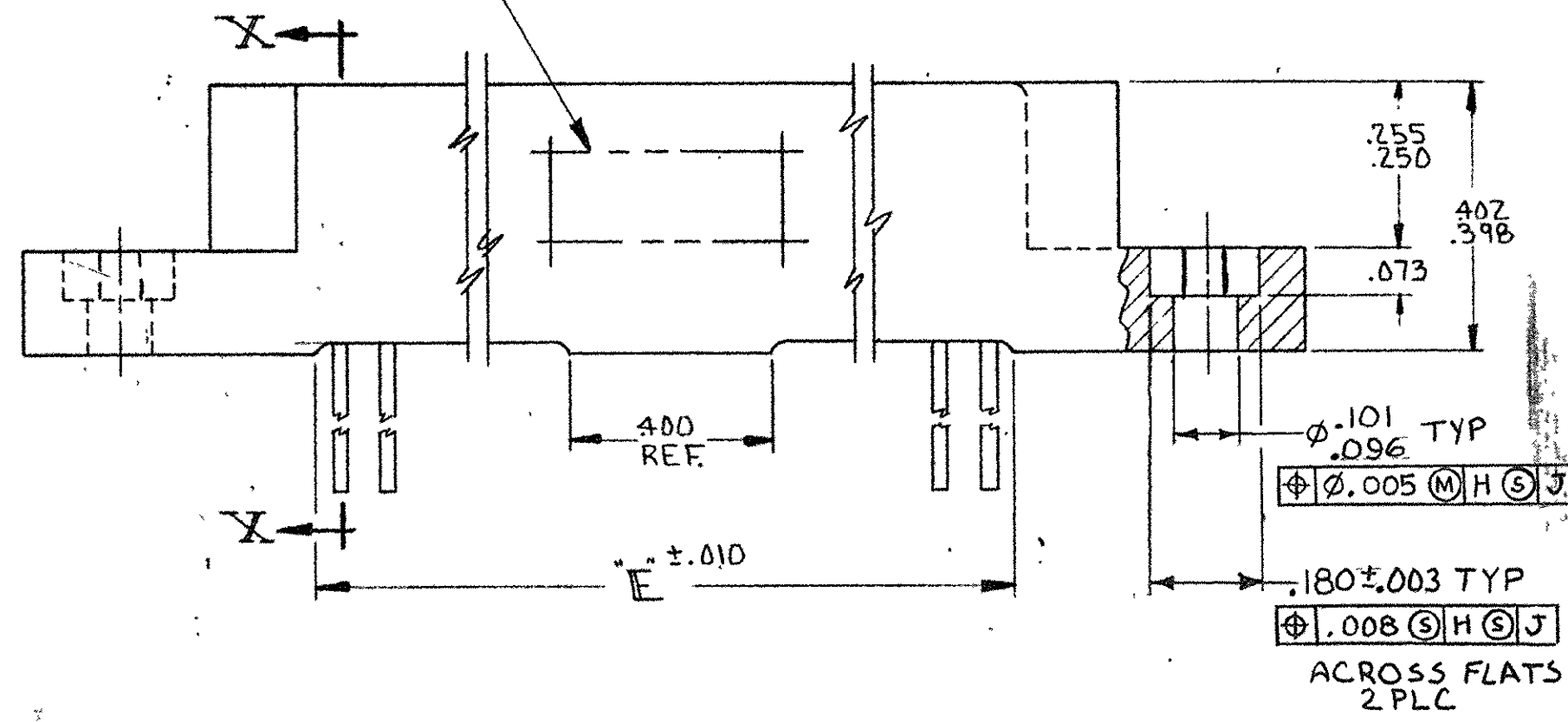
© 1977 BY AMP INCORPORATED. ALL RIGHTS RESERVED. AMP PRODUCTS COVERED BY PATENTS AND/OR PATENTS PENDING.

REVISIONS					
ZONE	LTR	DESCRIPTION	DATE	APPROVED	
	O	RELEASED, WAS 5087-571 CUST.	D.R.	8/30/71	D.H.
	A	REVISED 3465	M.S.	4-17-72	D.H.
	B	REVISED 3868	M.S.	7-23-73	M.Z.
	B1	REVISED NOTE 1 4538	M.S.	9-10-75	DR
	B2	REVISED NOTE 1 4811	M.S.	6-11-76	DR
	C	REVISED FINISH 7227	M.S.	2-26-81	
	D	REVISED FINISH 7779	DSE	1-82	UMP
	E	REV PER DF4435	RUP	4-91	B/P
	F	REV PER 0600-4173-95	TA	1-97	G.M.
	G	REV PER 0600-5859-96	II	4-98	DZ
	H	REV PER ECO-05-013297		11-05	PY

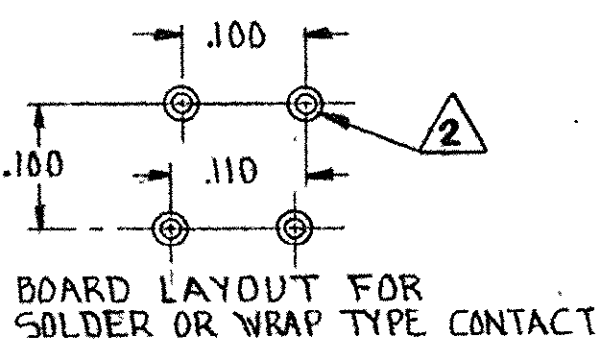
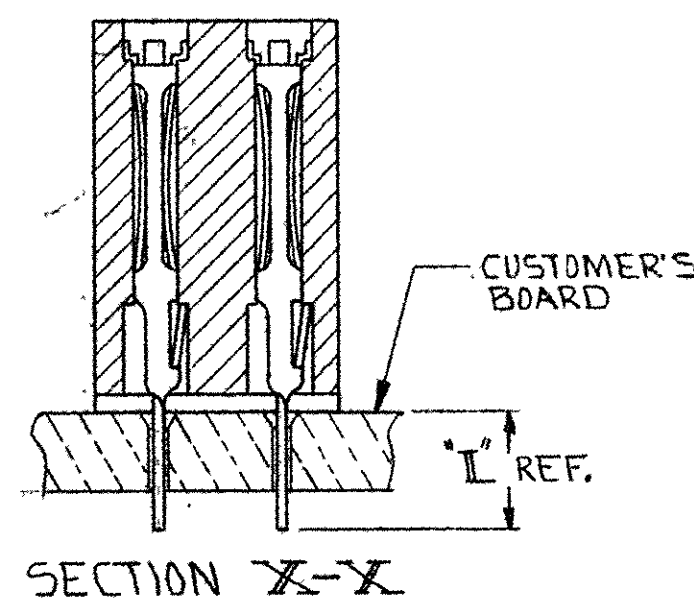


NUMBERS (SEE CHART) TO BE STAMPED IN CONTRASTING COLOR & ALSO LINES INDICATING EVERY 5TH CAVITY.

INK STAMPED (WHITE) THIS AREA



ACROSS FLATS 2 PLC
 (M) (H) (S) (J)
 (S) (H) (S) (J)



- 1. MOLD OR MARK WITH "AMP" AND AMP PART NO. IN PARENTHESES, ALSO MARK WITH DATE CODE, CUSTOMER PART NO. AND CODE IDENT. 13973.
- 2. .025 MIN. HOLE DIA. IN MOTHER BOARD AND A .031 X 30° CHAMFER RECOMMENDED ON CONNECTOR SIDE OF BOARD.
- 3. ACCEPTANCE INSPECTION PER PARA. 4.3 OF LITTON DRW 861700 SEE TABLE 2.
- 4. FINISH: .000030 GOLD OVER NICKEL ENTIRE CONTACT
- 5. CONTACT MAT'L: BERYLLIUM COPPER OR COPPER NICKEL-SILICONE

ACCEPTANCE INSPECTION	
REQUIREMENT	REQD PARA
VISUAL AND MECHANICAL	3.4
PART MARKING	3.8
CONTACT IDENTIFICATION	3.8.1
WORKMANSHIP	3.9
CONNECTOR MATING AND UNMATING FORCE	3.6.5.

TABLE 2

LITTON PART NO	AMP PART NO	NUMBER OF POSITIONS	CAVITY IDENT. STAMPING	A	B	C	D	E	L
861700-4	583805-2	110	56 55 110	6.355	6.065	54	5.400	5.475	.325
861700-2	583805-1	30	16 15 30	2.355	2.065	14	1.400	1.475	.325

UNLESS OTHERWISE SPECIFIED, DIMENSIONS ARE IN INCHES TOLERANCES ON : DECIMALS ±.005 ANGLES ± #	CONTRACT NO.		AMP INCORPORATED HARRISBURG, PENNSYLVANIA		
	DR	Runkle 8-30-71			
MATERIAL HOUSING : DIALYL PHTHALATE, COLOR - BLUE	CHK	J. Heide 8/31/71	RECEPTACLE ASSEMBLY, BOX CONTACT, .100 GRID		
	APPD	P. Pappas 8/31/71			
	REL	R. Sloman 8-31-71			
CONTACT : BERYLLIUM COPPER, FINISH :	DSGN APPD		SIZE	CODE IDENT NO.	NUMBER
	OTHER APPD		C	00779	583805
			SCALE		SHEET

单击下面可查看定价，库存，交付和生命周期等信息

[>>TE Connectivity\(泰科\)](#)