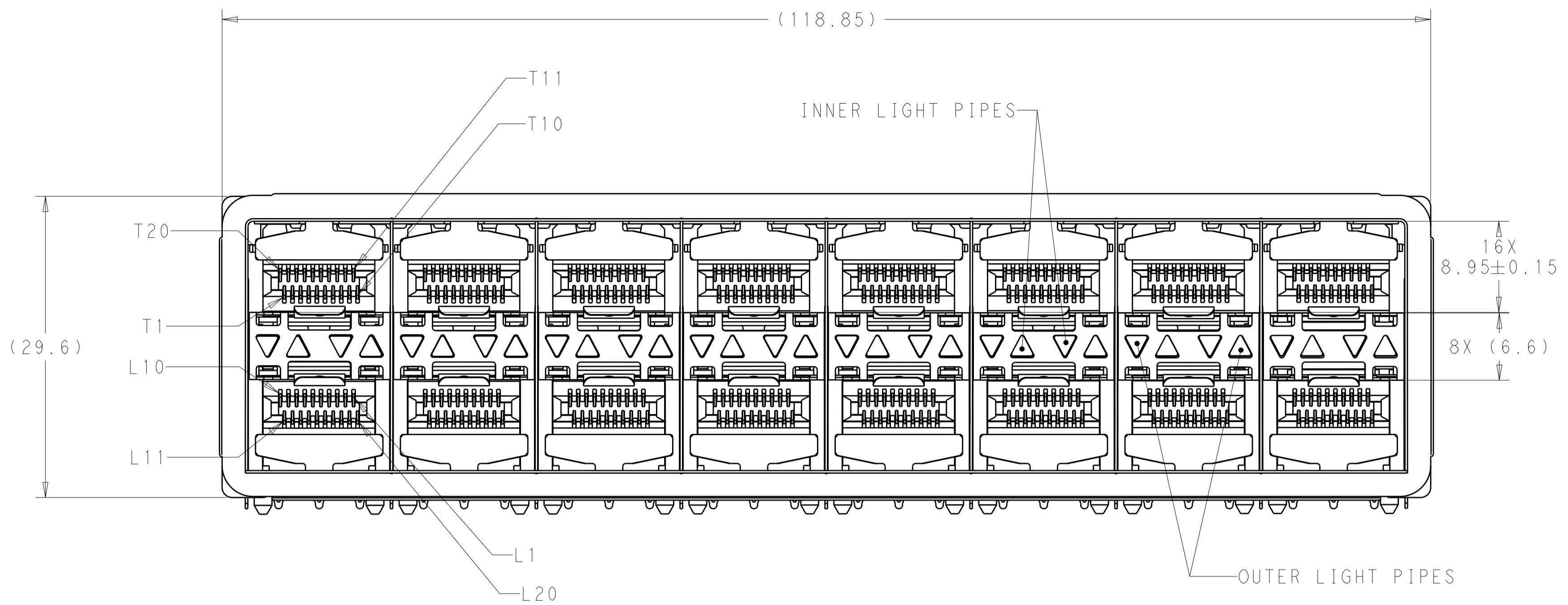
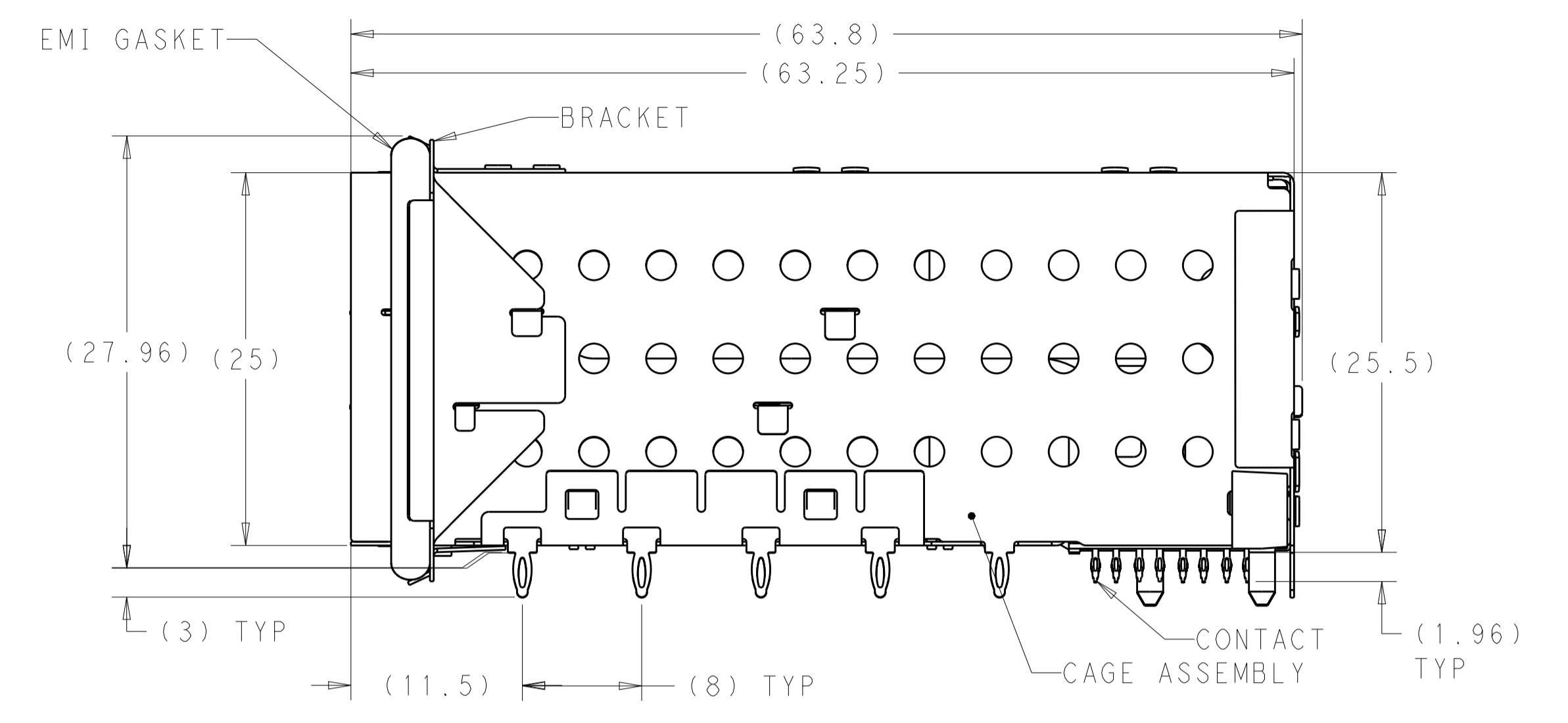
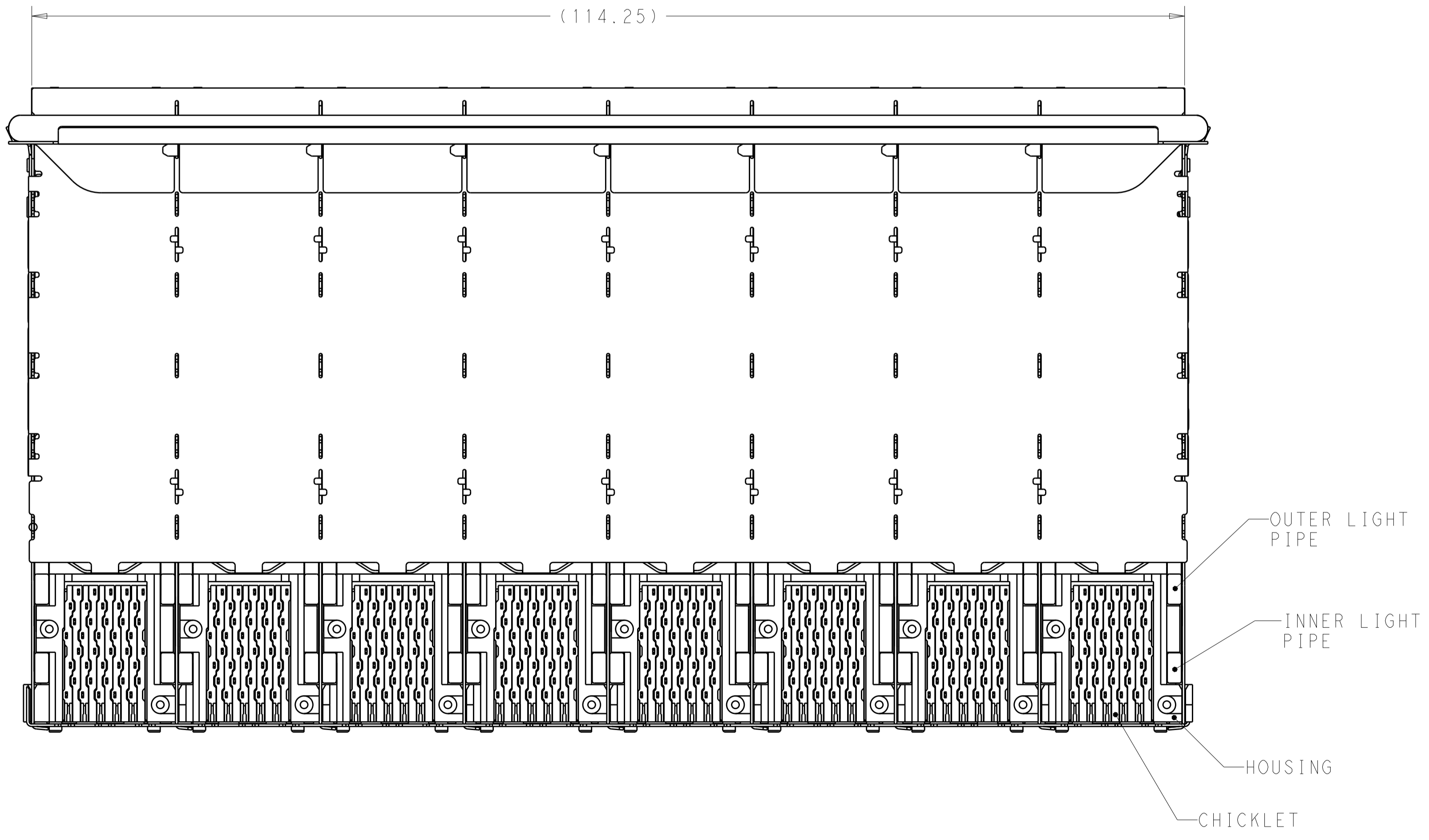


LOC		DIST		REVISIONS			
GP	00	P	LTN	DESCRIPTION	DATE	OWN	APVD
		C		REVISED PER ECO-15-017922	11APR2015	AP	RP
		D		REVISED PER ECO-17-018458	18DEC2017	IT	SH



2169788-5 AS SHOWN



- 1 MATERIALS:
 CAGE ASSEMBLY- NICKEL SILVER ALLOY PER ASTM B 122.
 BRACKET- STAINLESS STEEL.
 EMI GASKET- PLATED FILLED SILICONE.
 HOUSING- BLACK LCP, UL 94V-0 RATED.
 CHICKLET- BLACK LCP, UL 94V-0 RATED.
 LIGHT PIPE- POLYCARBONATE, CLEAR.
 CONTACT- COPPER ALLOY.
- 2 DATUM AND BASIC DIMENSIONS ESTABLISHED BY CUSTOMER.
- 3. MINIMUM PCB THICKNESS OF 1.5.
- 4 CONTACT FINISH- CONFORMS TO THE REQUIREMENTS OF TE PRODUCT SPECIFICATION 108-2331, BASED ON EIA/ECA-364-1000.01A, (CONTROLLED ENVIRONMENT APPLICATIONS) ON MATING INTERFACE, TIN-LEAD ON NEEDLE EYE.
- 5 CONTACT FINISH- CONFORMS TO THE REQUIREMENTS OF TE PRODUCT SPECIFICATION 108-2331, BASED ON EIA/ECA-364-1000.01A, (CONTROLLED ENVIRONMENT APPLICATIONS) ON MATING INTERFACE, TIN ON NEEDLE EYE.
- 6 FOR HOLE SIZE AND PLATINGS, SEE APPLICATION SPEC 114-13219.
- 7 THE ENTIRE AREA OF THE CONNECTOR FOOTPRINT, INDICATED BY THE DASHED LINE, TO BE CONSIDERED THE KEEPOUT AREA FOR COMPONENTS AND SIGNAL TRACES, TOP SIDE ONLY. TOP SIDE TRACES ALLOWED WITHIN CONNECTOR HOLE PATTERN.
- 8 LIGHT PIPE PAD LAYOUT IS FOR 0805 LOW PROFILE LED PACKAGE WITH A HEIGHT OF 0.8mm.
- 9 ADDITIONAL COMPONENT LOCATED WITHIN LATCHPLATE FOR EMI SUPPRESSION

YES ⁹	⁵	NO LIGHT PIPES	1-2169788-8
		OUTER 2 LIGHT PIPES	1-2169788-7
		INNER 2 LIGHT PIPES	1-2169788-6
		4 LIGHT PIPES	1-2169788-5
		NO LIGHT PIPES	2169788-8
		OUTER 2 LIGHT PIPES	2169788-7
		INNER 2 LIGHT PIPES	2169788-6
		4 LIGHT PIPES	2169788-5
		NO LIGHT PIPES	2169788-4
		OUTER 2 LIGHT PIPES	2169788-3
		INNER 2 LIGHT PIPES	2169788-2
		4 LIGHT PIPES	2169788-1
ENHANCED EMI FINISH	DESCRIPTION	PART NUMBER	

THIS DRAWING IS A CONTROLLED DOCUMENT. DWN: C. VALENTINE 18JAN2011
 CHK: P. RECCE 18JAN2011
 APVD: P. RECCE 18JAN2011

STE TE Connectivity

NAME: CAGE AND PT CONNECTOR ASSEMBLY, WITH EMI GASKET, PRESS FIT, 2X8, STACKED SFP+

PRODUCT SPEC: 108-2331
 APPLICATION SPEC: 114-13219

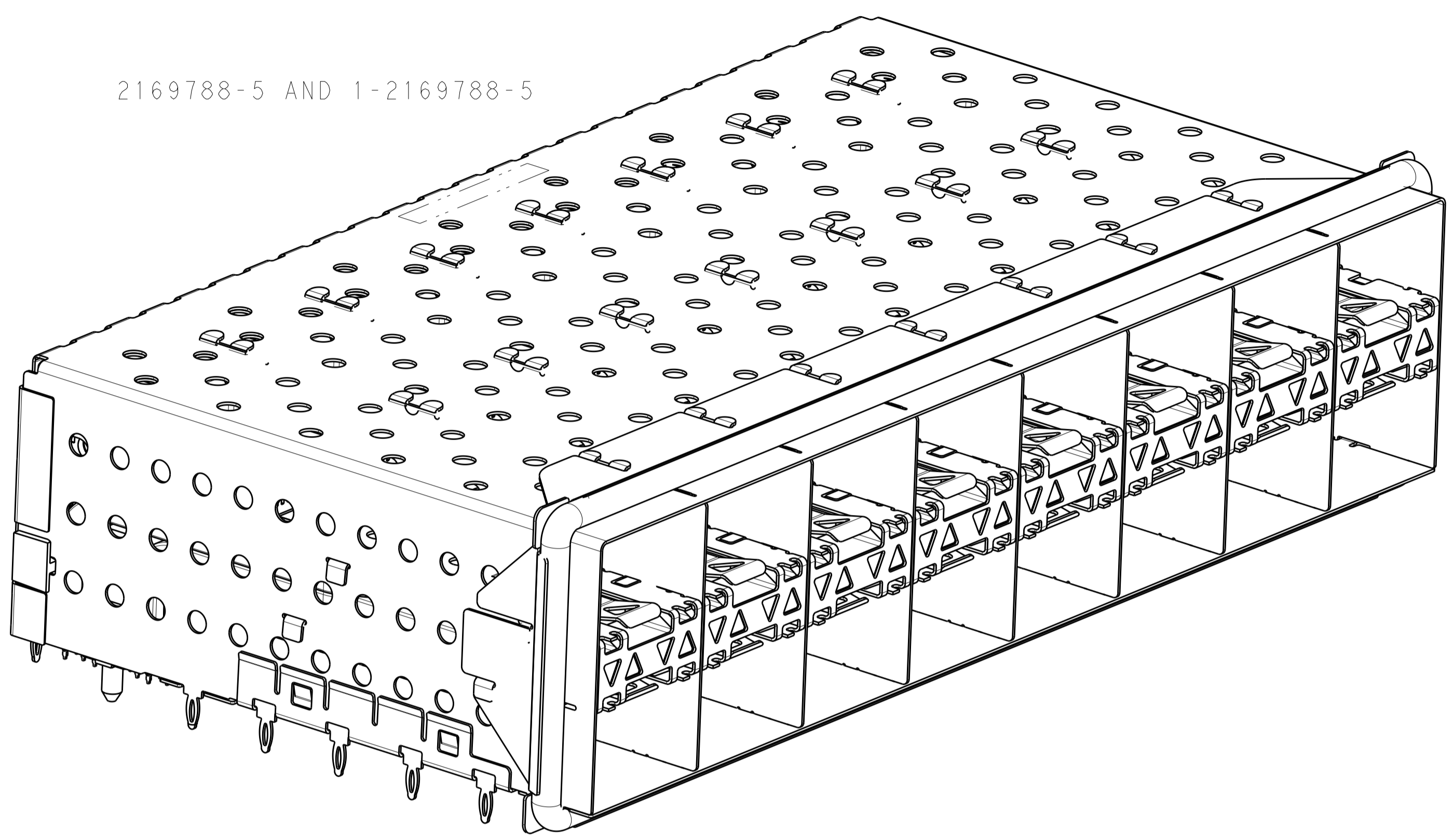
SIZE: CAGE CODE DRAWING NO: A100779C=2169788
 RESTRICTED TO: -

WEIGHT: -
 CUSTOMER DRAWING

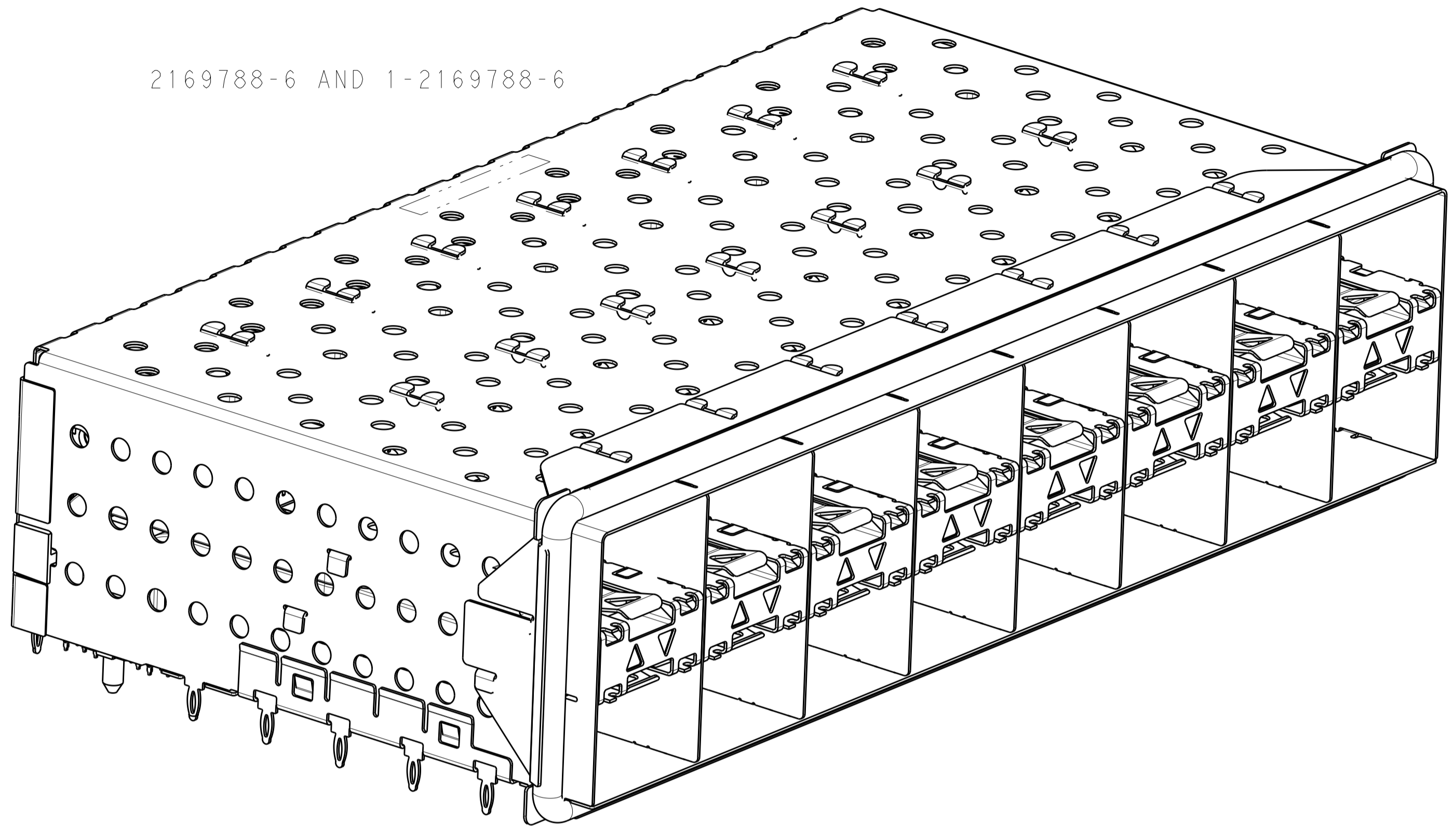
SCALE: 3:1 SHEET 1 OF 4 REV D

LOC	DIST	REVISIONS			
P	LYN	DESCRIPTION	DATE	OWN	APVD
GP	00	SEE SHEET 1			

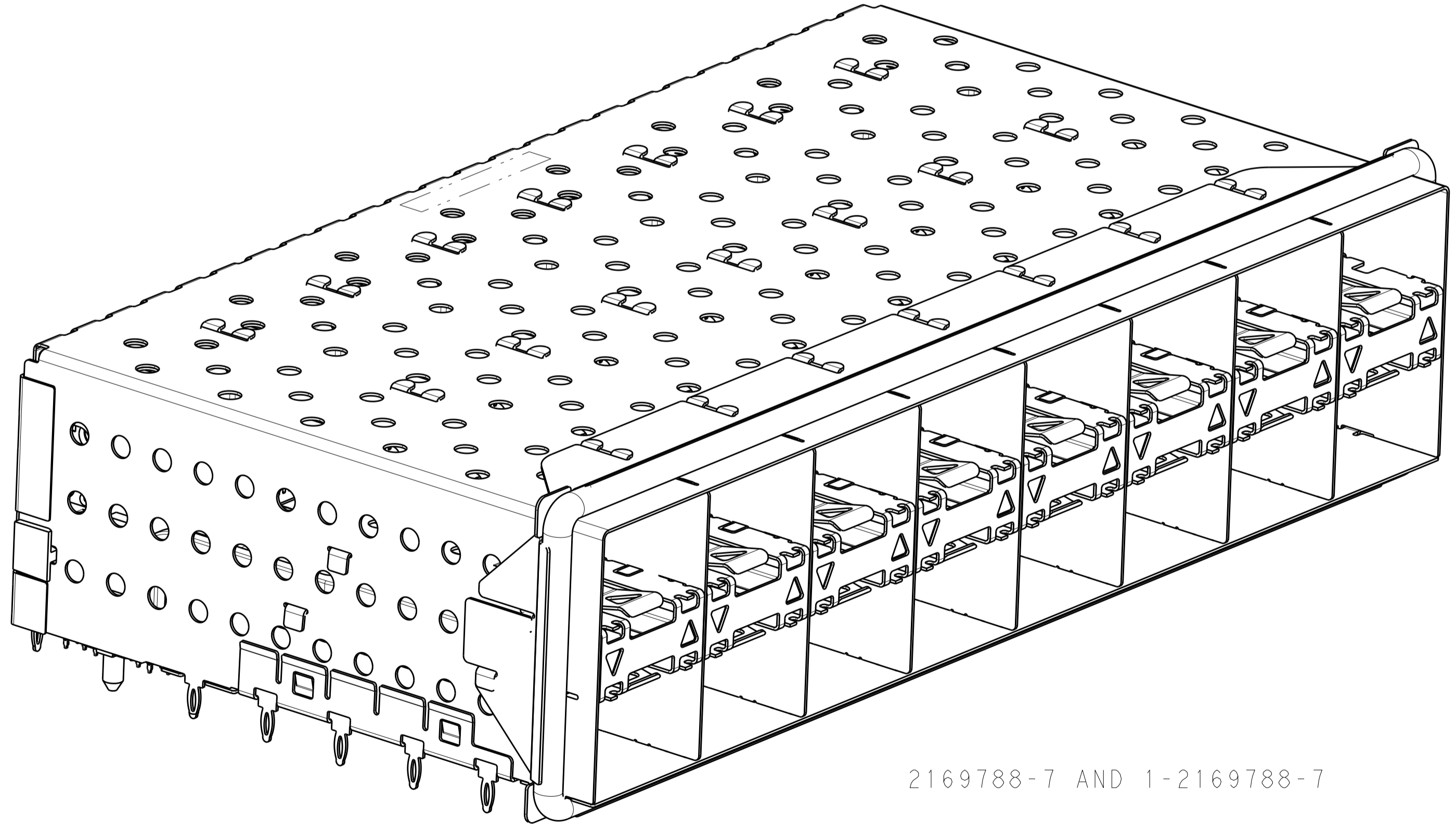
2169788-5 AND 1-2169788-5



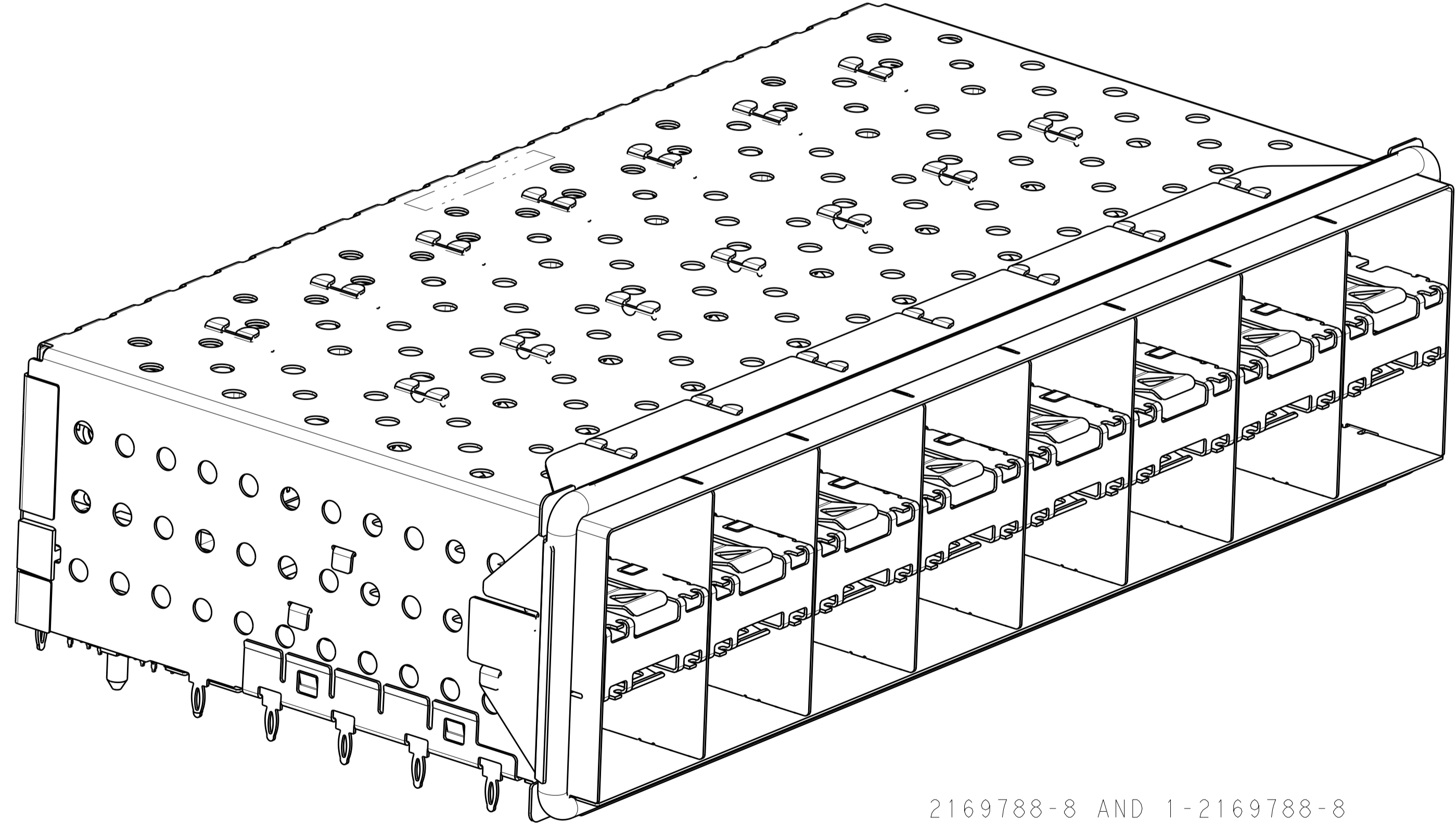
2169788-6 AND 1-2169788-6



2169788-7 AND 1-2169788-7

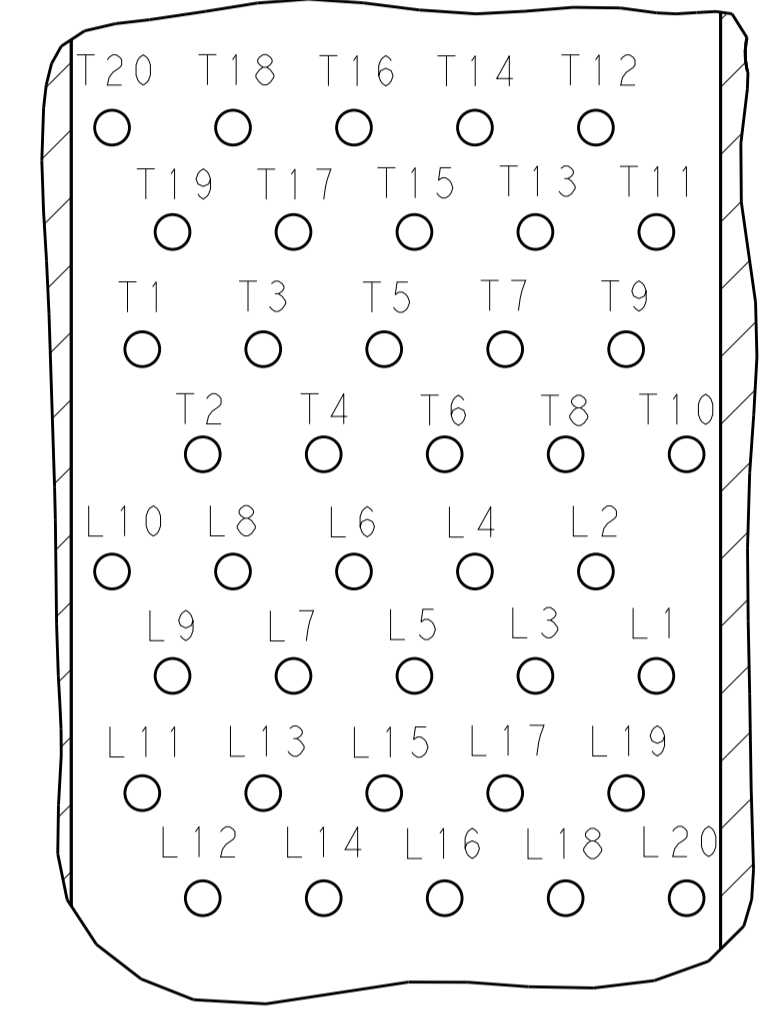
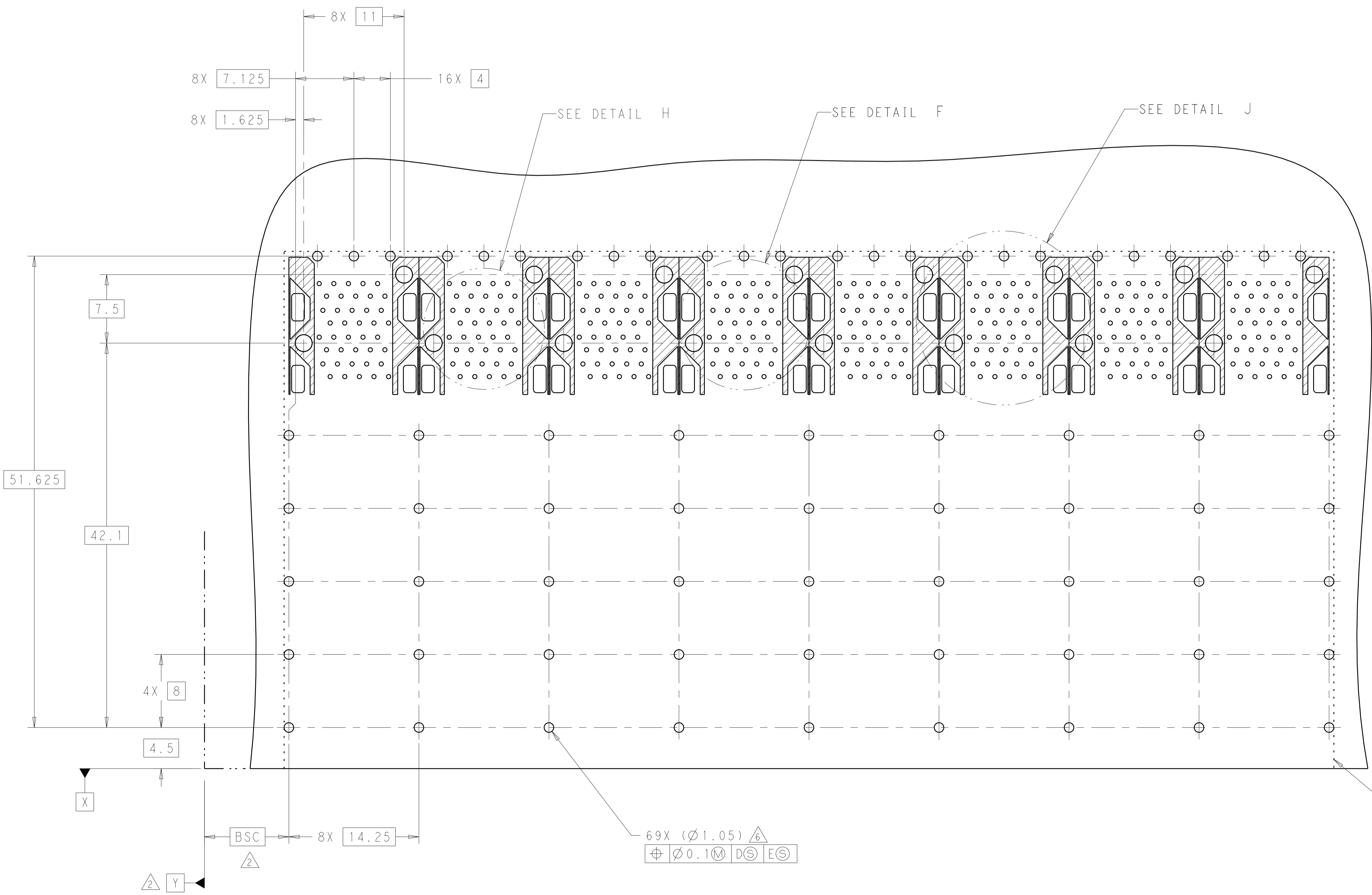


2169788-8 AND 1-2169788-8



THIS DRAWING IS A CONTROLLED DOCUMENT.		OWN	C. VALENTINI	18JAN2011	TE Connectivity NAME CAGE AND PT CONNECTOR ASSEMBLY, WITH EMI GASKET, PRESS FIT, 2X8, STACKED SFP+			
DIMENSIONS:		CHK	P. RECCE	18JAN2011				
TOLERANCES UNLESS OTHERWISE SPECIFIED:		APVD	P. RECCE	18JAN2011				
mm		PRODUCT SPEC						
0 PLC	±0.1	108-2331			SIZE	CAGE CODE	DRAWING NO	RESTRICTED TO
1 PLC	±0.1	APPLICATION SPEC			A1	00779	C=2169788	
2 PLC	±0.1							
3 PLC	±0.1							
4 PLC	±0.1							
ANGLES	±0.1							
MATERIAL	FINISH	WEIGHT	114-13219					
	SEE TABLE	CUSTOMER DRAWING			SCALE	3:1	SHEET	2 OF 4
								REV D

LOC	DIST	REVISIONS					
GP	00	P	LTH	DESCRIPTION	DATE	DWN	APVD
		-		SEE SHEET 1			

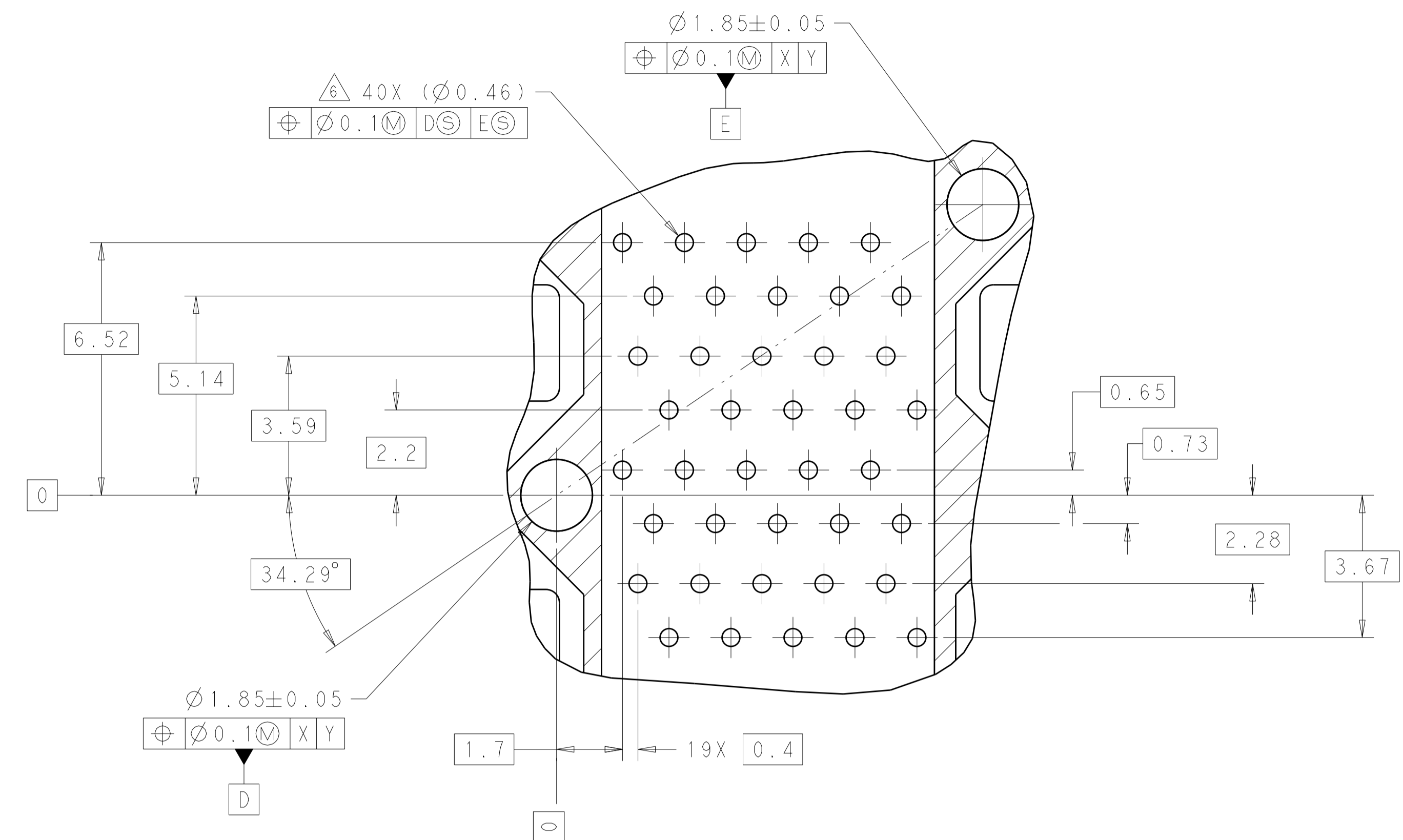


DETAIL H
 CONNECTOR PIN-OUT
 COMPONENT SIDE OF BOARD
 8X INDIVIDUALLY
 SCALE 10:1

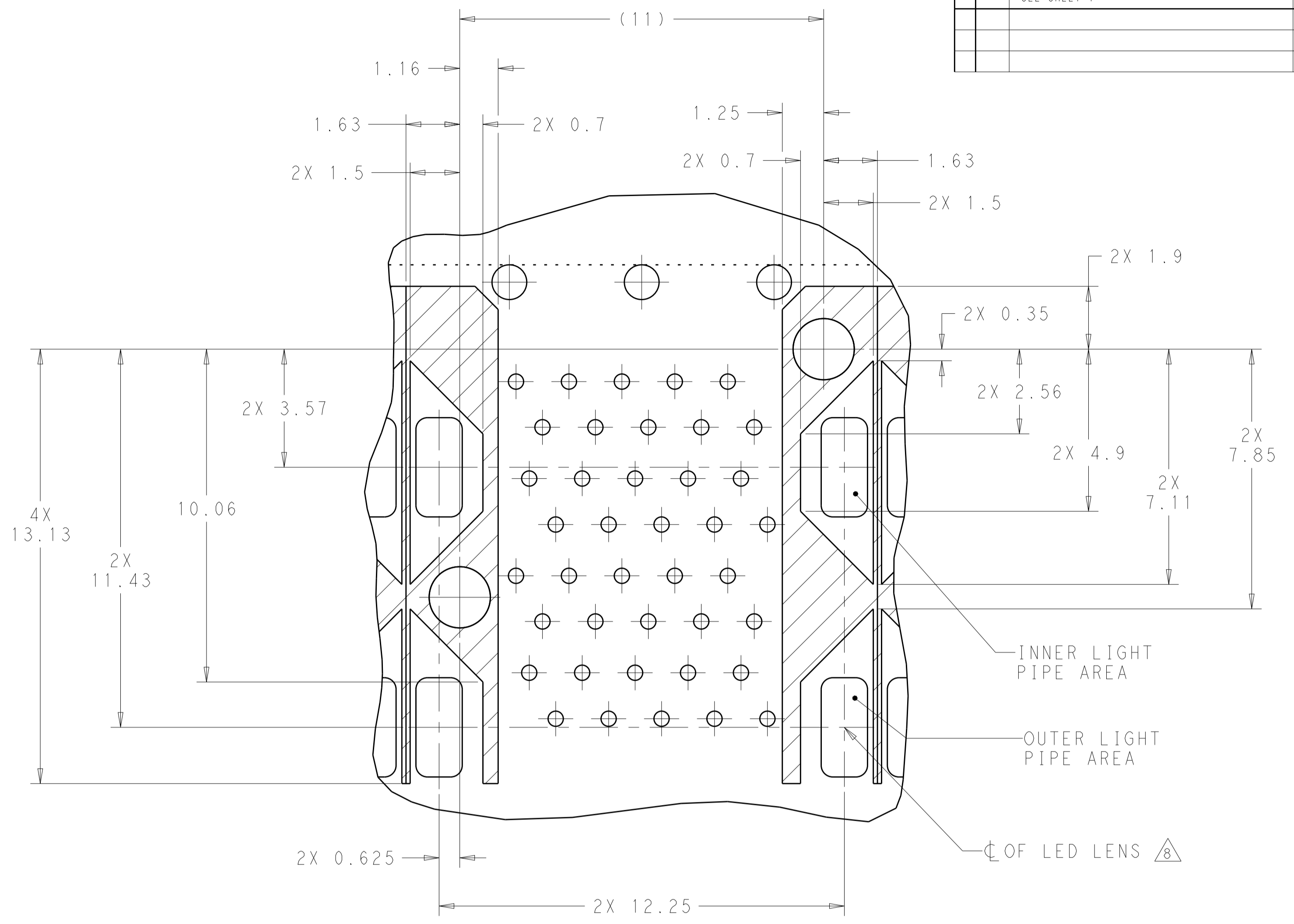
RECOMMENDED PCB LAYOUT
 COMPONENT SIDE OF BOARD
 SCALE 4:1

THIS DRAWING IS A CONTROLLED DOCUMENT.		DWN C. VALENTINI 18JAN2011	TE Connectivity
DIMENSIONS: mm		CHK P. RECCE 18JAN2011	
TOLERANCES UNLESS OTHERWISE SPECIFIED:		APVD P. RECCE 18JAN2011	NAME CAGE AND PT CONNECTOR ASSEMBLY, WITH EMI GASKET, PRESS FIT, 2X8, STACKED SFP+
0 PLC ±0.1 1 PLC ±0.1 2 PLC ±0.1 3 PLC ±0.1 4 PLC ±0.1 ANGLES ±0.1		PRODUCT SPEC 108-2331	SIZE A100779C=2169788
MATERIAL: -		APPLICATION SPEC 114-13219	RESTRICTED TO
FINISH: -		WEIGHT: -	SCALE 3:1 SHEET 3 OF 4 REV D
SEE TABLE		CUSTOMER DRAWING	

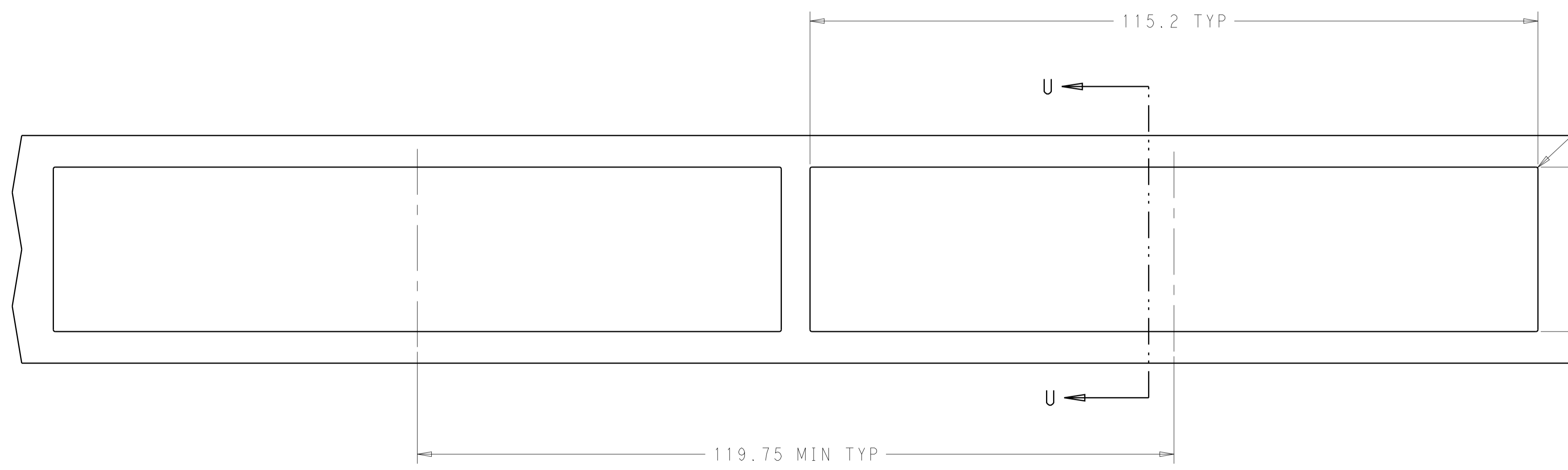
LOC	DIST	REVISIONS					
GP	00	P	LTN	DESCRIPTION	DATE	DWN	APVD
		-		SEE SHEET 1	-	-	-



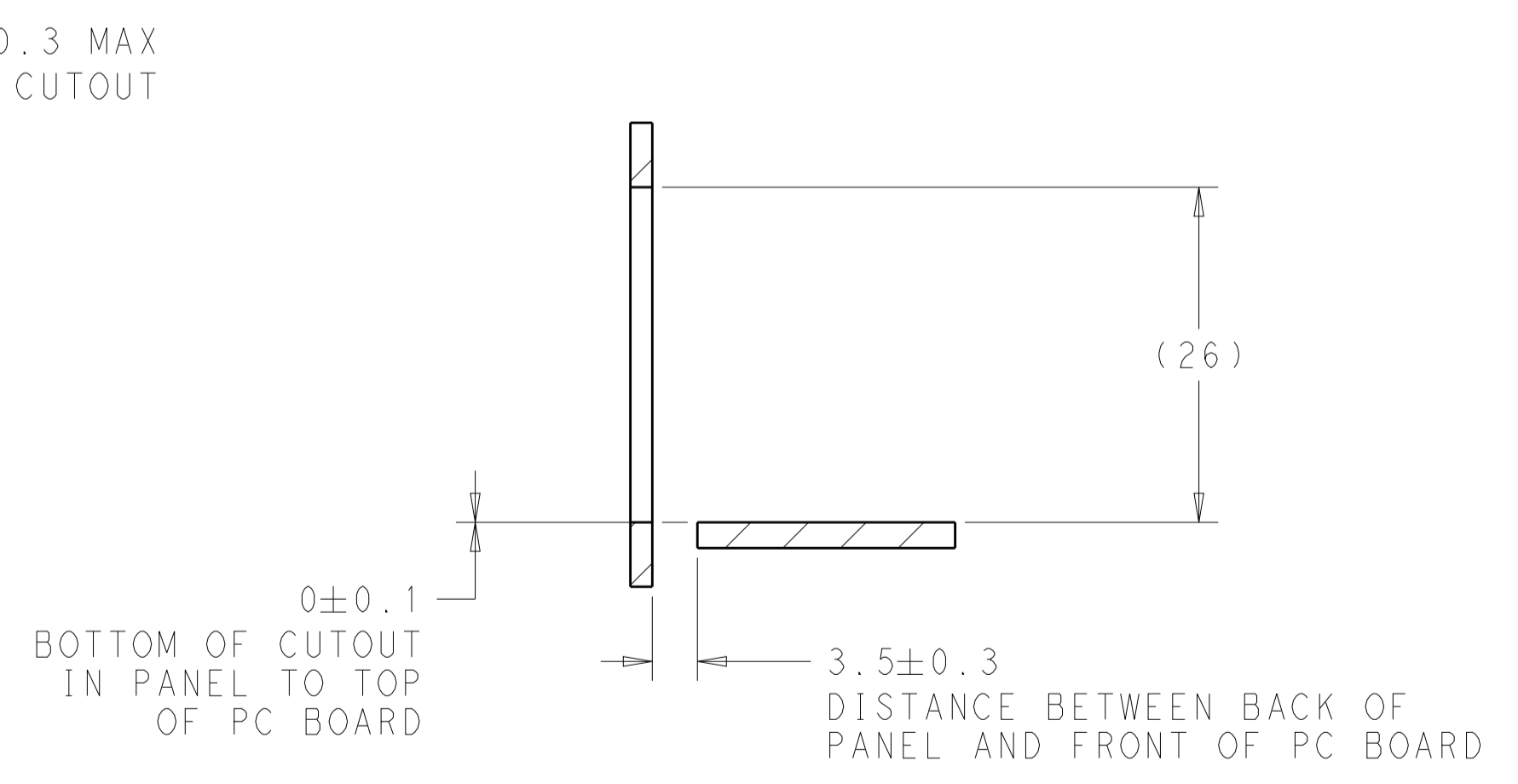
DETAIL F
 8X INDIVIDUALLY
 SCALE 10:1



DETAIL J
 CONNECTOR HOUSING
 KEEPOUT ZONE
 8X INDIVIDUALLY
 SCALE 10:1



RECOMMENDED PANEL CUTOUT
 AND PC BOARD, PANEL POSITION
 SCALE 2:1



SECTION U-U
 SCALE 2:1

THIS DRAWING IS A CONTROLLED DOCUMENT.		DWN C. VALENTINE 18JAN2011	TE Connectivity
DIMENSIONS: mm		CHK P. RECCE 18JAN2011	
TOLERANCES UNLESS OTHERWISE SPECIFIED:		APVD P. RECCE 18JAN2011	NAME CAGE AND PT CONNECTOR ASSEMBLY, WITH EMI GASKET, PRESS FIT, 2X8, STACKED SFP+
0 PLC	±0.1	PRODUCT SPEC	RESTRICTED TO
1 PLC	±0.1	108-2331	SIZE
2 PLC	±0.1	APPLICATION SPEC	CAGE CODE
3 PLC	±0.1	114-13219	DRAWING NO
4 PLC	±0.1	WEIGHT	REV
ANGLES	±0.1	CUSTOMER DRAWING	SCALE
FINISH	SEE TABLE		SHEET
			OF
			4
			4
			REV
			D

单击下面可查看定价，库存，交付和生命周期等信息

[>>TE Connectivity\(泰科\)](#)