

DRAWING MADE IN THIRD ANGLE PROJECTION

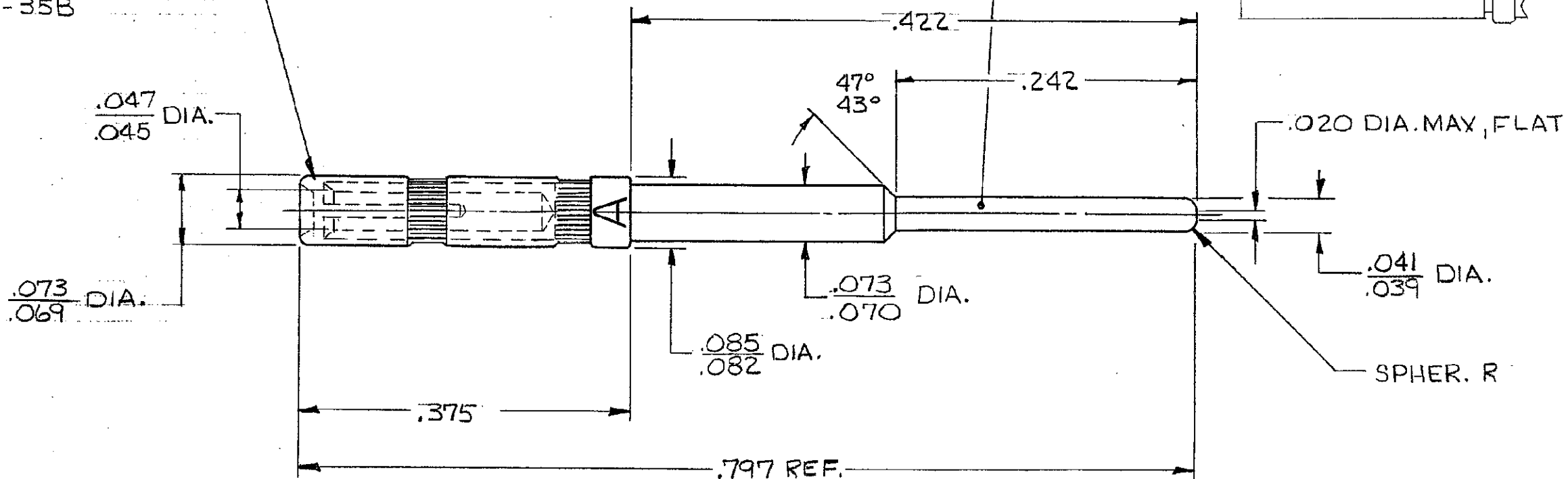
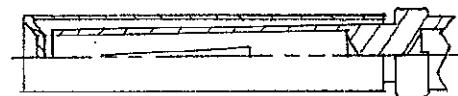
THIS DRAWING IS UNPUBLISHED. RELEASED FOR PUBLICATION, 19  
 © COPYRIGHT 19 BY AMP INCORPORATED, HARRISBURG, PA. ALL INTERNATIONAL RIGHTS RESERVED. AMP PRODUCTS MAY BE COVERED BY U.S. AND FOREIGN PATENTS AND/OR PATENTS PENDING.

		REVISIONS				
P	F	ZONE	LTR	DESCRIPTION	DATE	APPROVED
✓	✓		O	RELEASED	3/24/84	RG <i>[Signature]</i>
✓	✓		A	ADDED -Z PER ECN R-647	4/19/84	RG <i>[Signature]</i>
✓	✓		B	REV PER DF-5815	10/5/82	DKP <i>[Signature]</i>
			C	REV PER 0600-7585-98	10-22-83	TT <i>[Signature]</i>

BODY  
 MATERIAL: BERYLLIUM COPPER  
 PER QQ-C-530  
 FINISH: PLATED GOLD .000050  
 MIN. THK. PER MIL-G-45204 OVER  
 NICKEL .000050 MIN. THK  
 PER QQ-N-290

HOOD  
 MATERIAL: STAINLESS  
 STEEL PER QQ-S-766  
 FINISH: PASSIVATED  
 QQ-P-35B

ALTERNATE CONFIGURATION



NOTES: FOR DASH 2 ONLY

- 1. MATERIAL: BERYLLIUM COPPER PER QQ-C-530  
 FINISH: PLATED GOLD .000050 MIN. THK. PER MIL-G-45204  
 OVER COPPER .000100 MIN. THK. PER MIL-C-14550.
- 2. HOOD: COPPER ALLOY PER QQ-B-613  
 FINISH: PLATED GOLD

AS SHOWN $\triangle 1$ $\triangle 2$	212558-2
AS SHOWN	212558-1
DESCRIPTION	PART NO

UNLESS OTHERWISE SPECIFIED DIMENSIONS ARE IN INCHES. TOLERANCES ON: DECIMALS ±.005 ANGLES ±	CONTRACT NO 3-26-84	<b>AMP</b>   AMP INCORPORATED Harrisburg, Pa.	
	DR R. Grzybowski		
MATERIAL SEE CALLOUT	DATE 3-30-84	NAME CONTACT, SIZE 20, AMPLIMITE, CONNECTOR SAVER	
FINISH SEE CALLOUT	APPR 3/30/84	SIZE <b>B</b>	FSCM NO <b>00779</b>
	DSGN APPD 4/2/84	DRAWING NO <b>212558</b>	
	OTHER APPD	SCALE N.T.S.	SHEET 1 of 1

单击下面可查看定价，库存，交付和生命周期等信息

[>>TE Connectivity\(泰科\)](#)