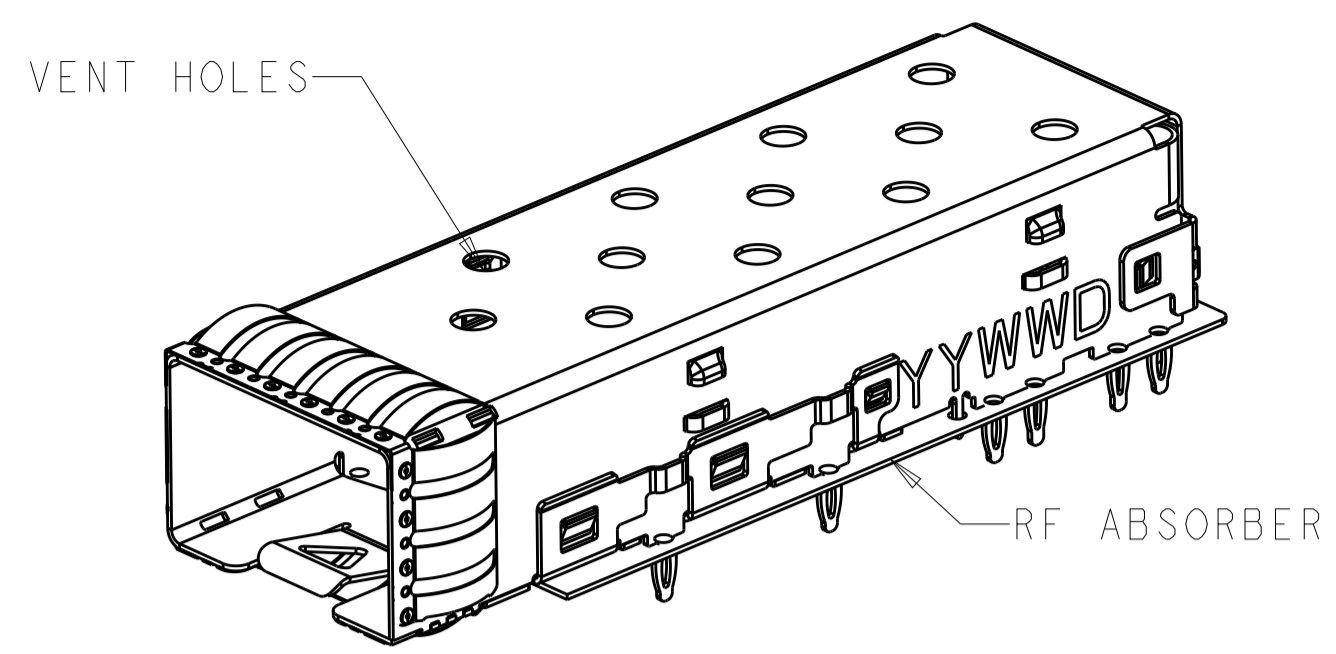
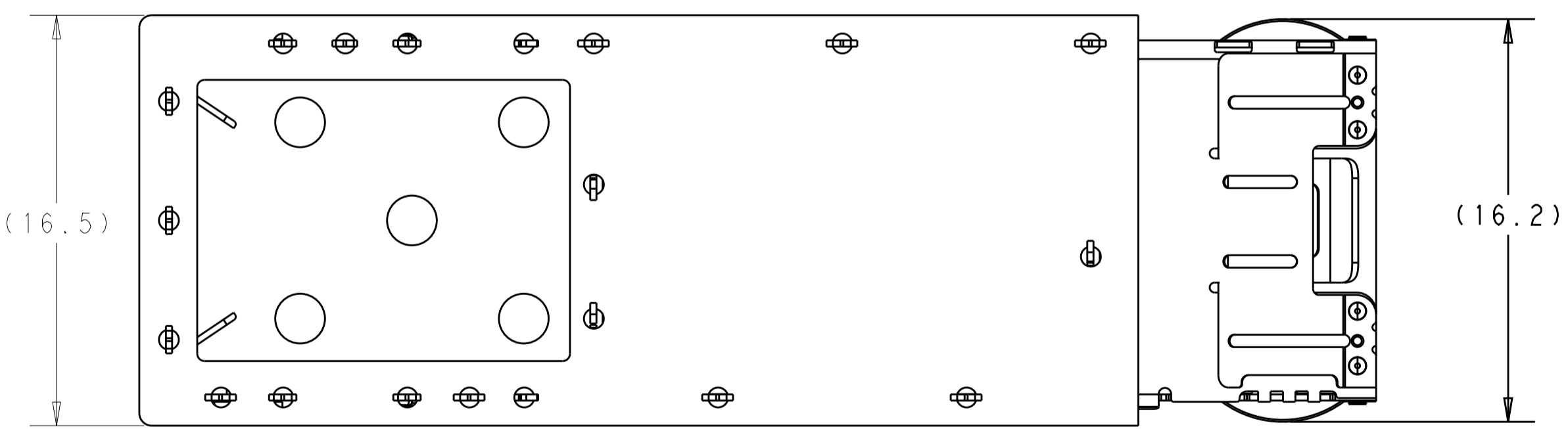
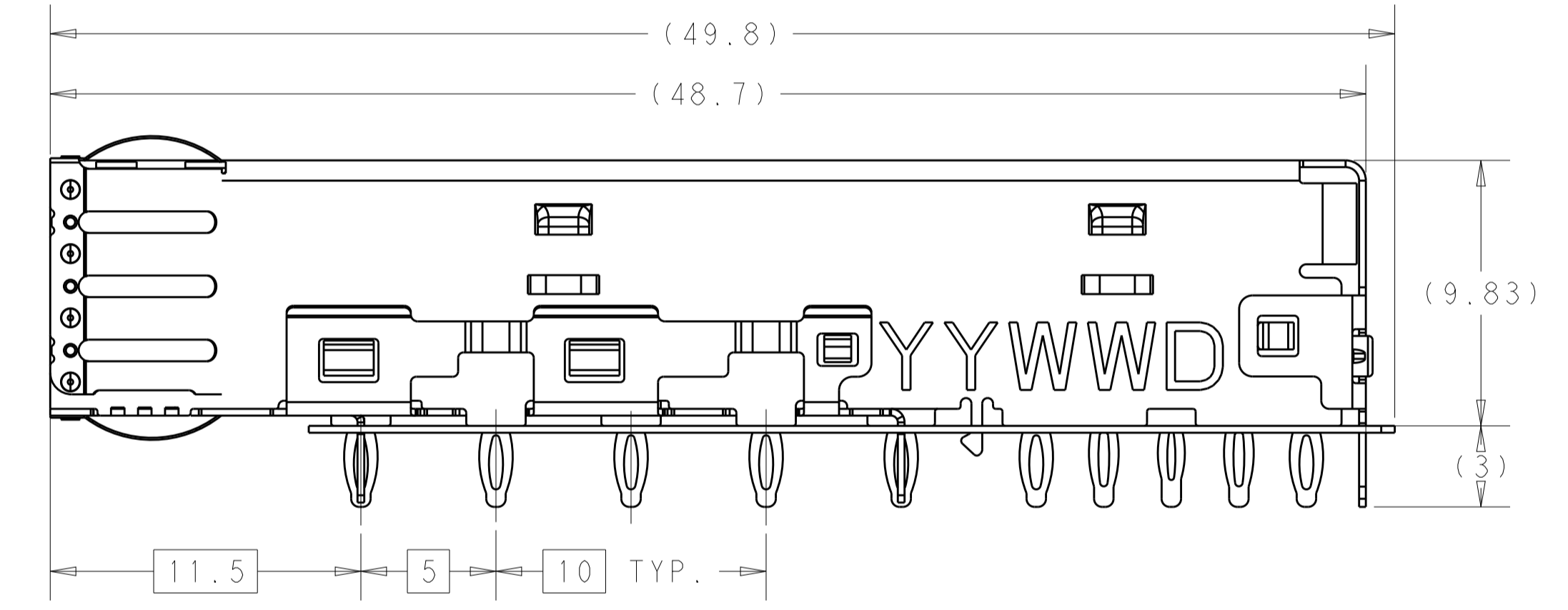
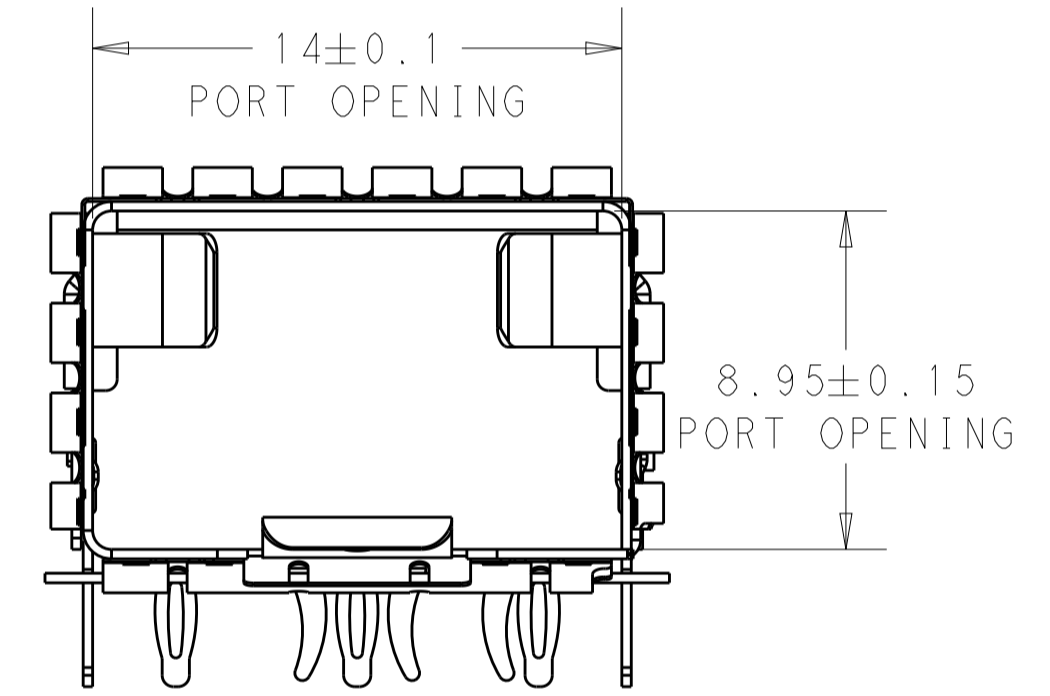
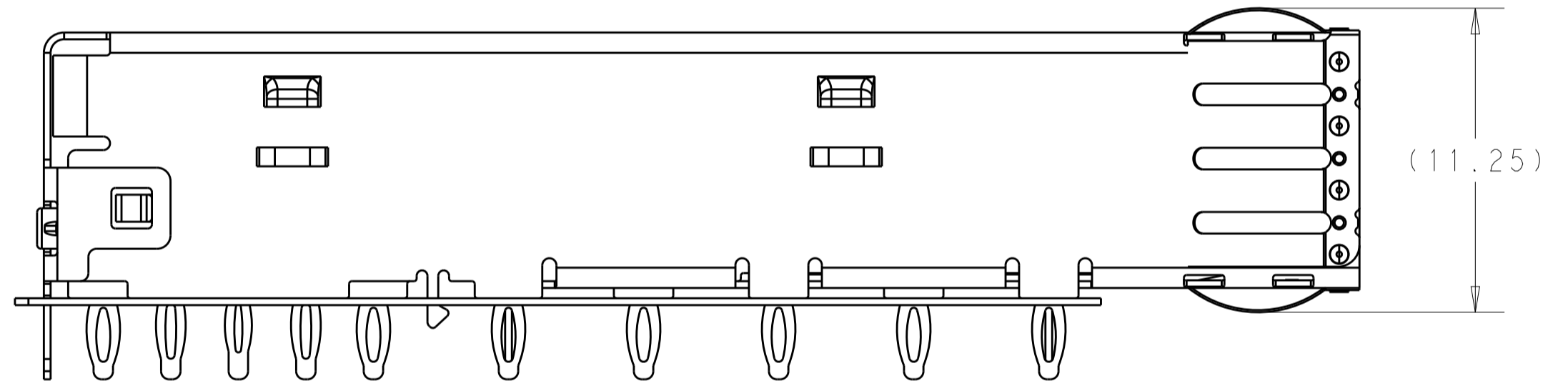
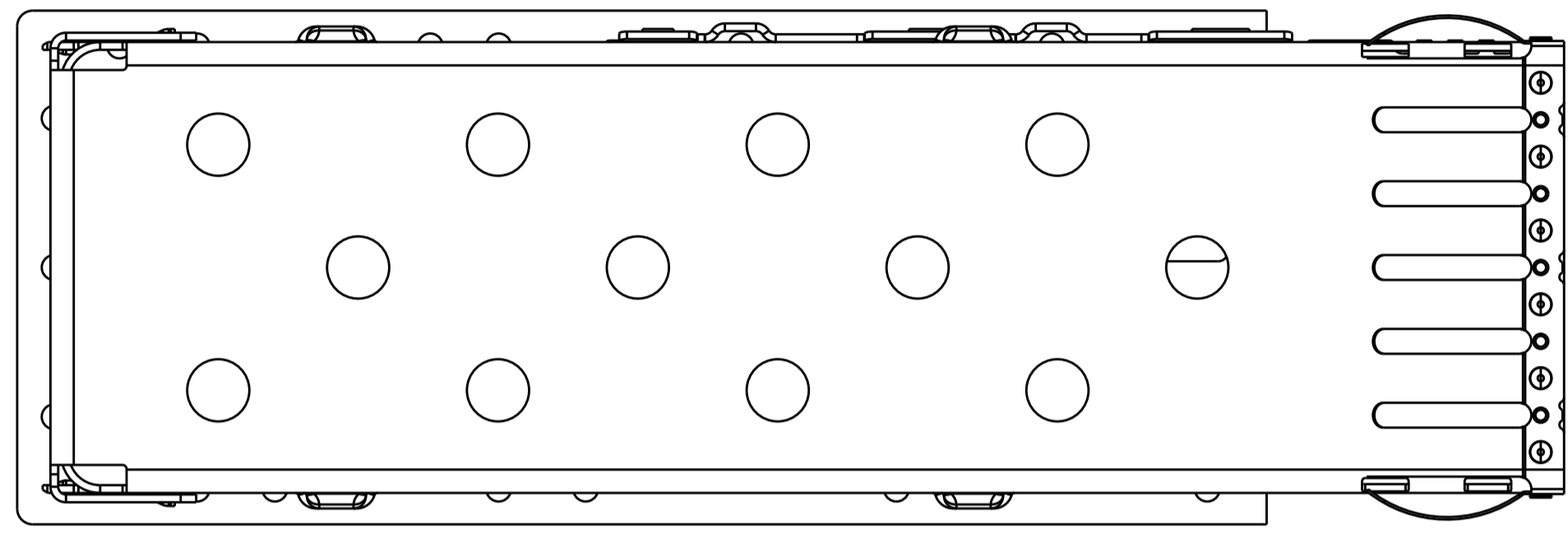


LOC		DIST		REVISIONS			
GP	00	P	LTN	DESCRIPTION	DATE	DWN	APVD
		A		INITIAL RELEASE	28SEP2016	LL	SH
		A1		REVISED PER ECO-18-004185	13MAR2018	JW	SH
		B		REVISED PER ECO-20-004411	22OCT2019	ES	SH



2274001-1
SCALE 3:1

- 1. MATERIAL:
CAGE ASSEMBLY - 0.25mm THICK NICKEL SILVER ALLOY.
EMI SPRINGS - COPPER ALLOY.
PCB GASKET - RF ABSORBER.
- 2. FINISH
EMI SPRINGS - 0.8um MIN NICKEL, NON-PLATED EDGES PERMISSIBLE.
- 3. MATES WITH SFP MSA COMPLIANT TRANSCEIVERS.
- 4. PADS AND VIAS CHASSIS GROUND.
- 5. DATUM AND BASIC DIMENSION ESTABLISHED BY CUSTOMER.
- 6. REFERENCE APPLICATION SPEC. 114-13120, HOLE A, FOR RECOMMENDED DRILL HOLE DIAMETER AND PLATING THICKNESS.
- 7. REFERENCE APPLICATION SPEC. 114-13120, HOLE B, FOR RECOMMENDED DRILL HOLE DIAMETER AND PLATING THICKNESS.
- 8. REFERENCE APPLICATION SPEC. 114-13120, HOLE C, FOR RECOMMENDED DRILL HOLE DIAMETER AND PLATING THICKNESS.
- 9. MINIMUM PC BOARD THICKNESS:
SINGLE SIDED = 1.50mm
- 10. CONTACT STANDOFF WILL PIERCE GASKET WHEN PROPERLY PRESSED INTO PCB.



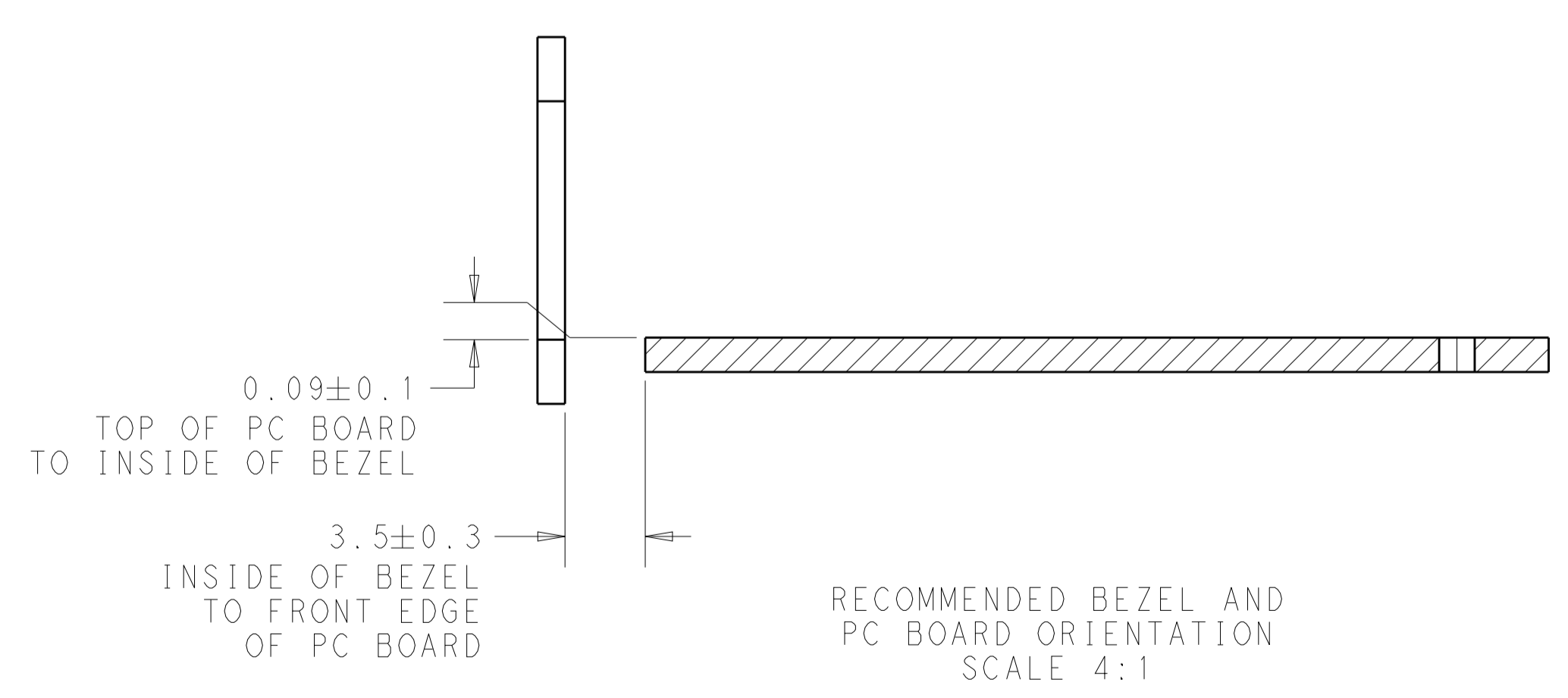
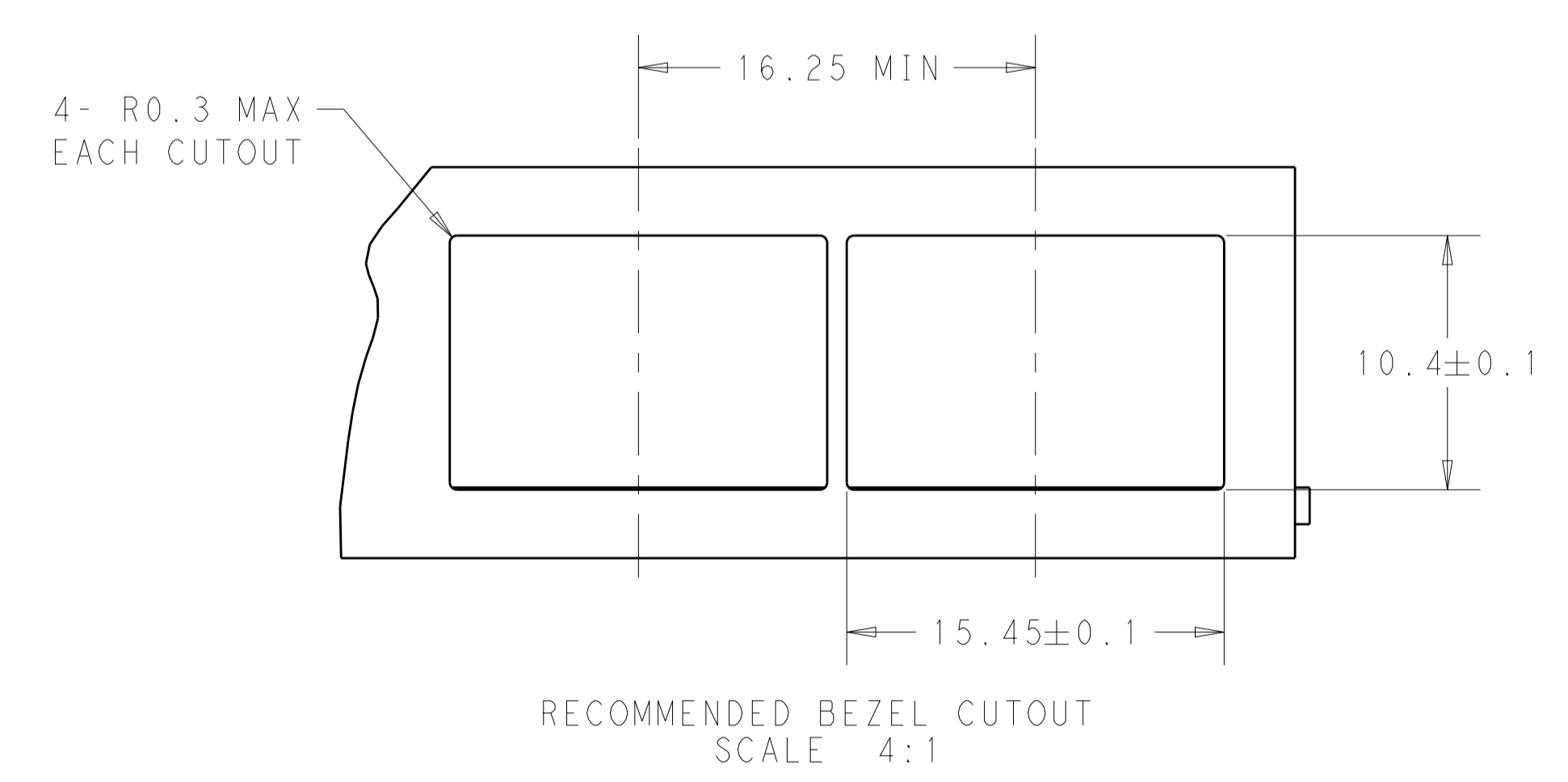
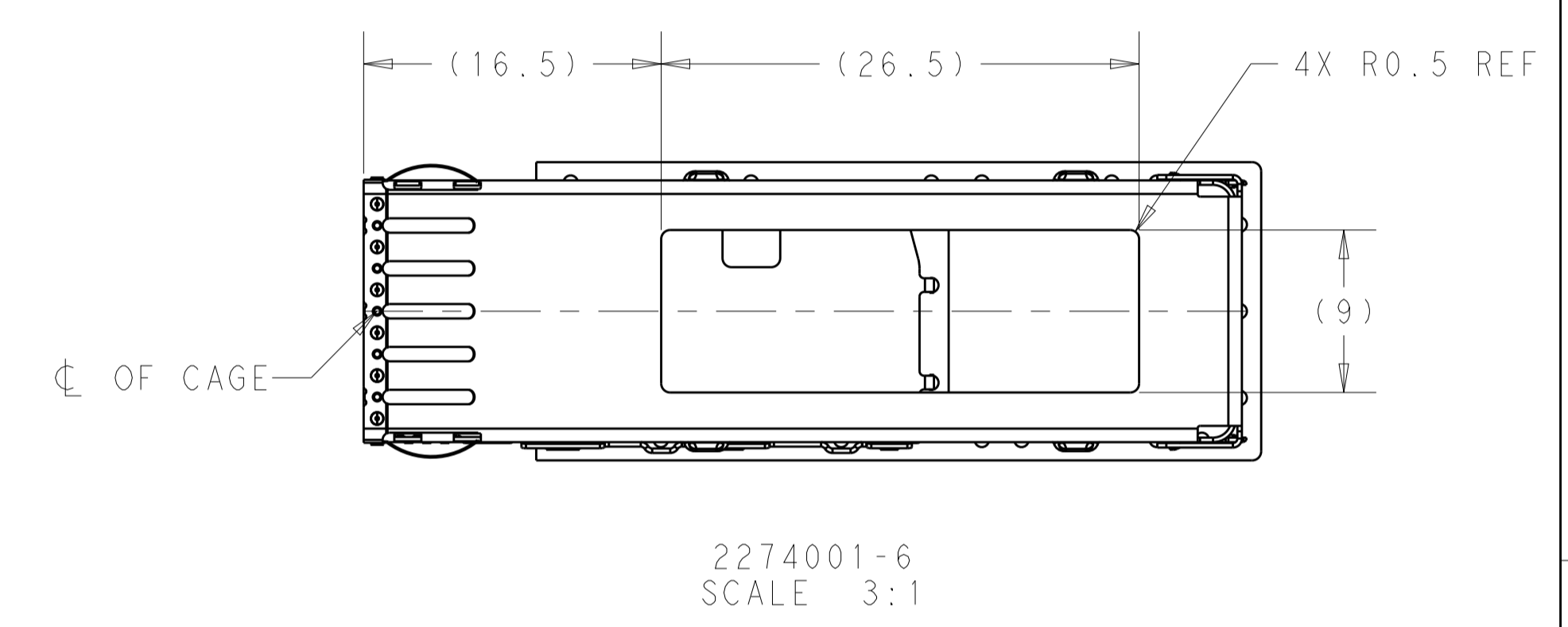
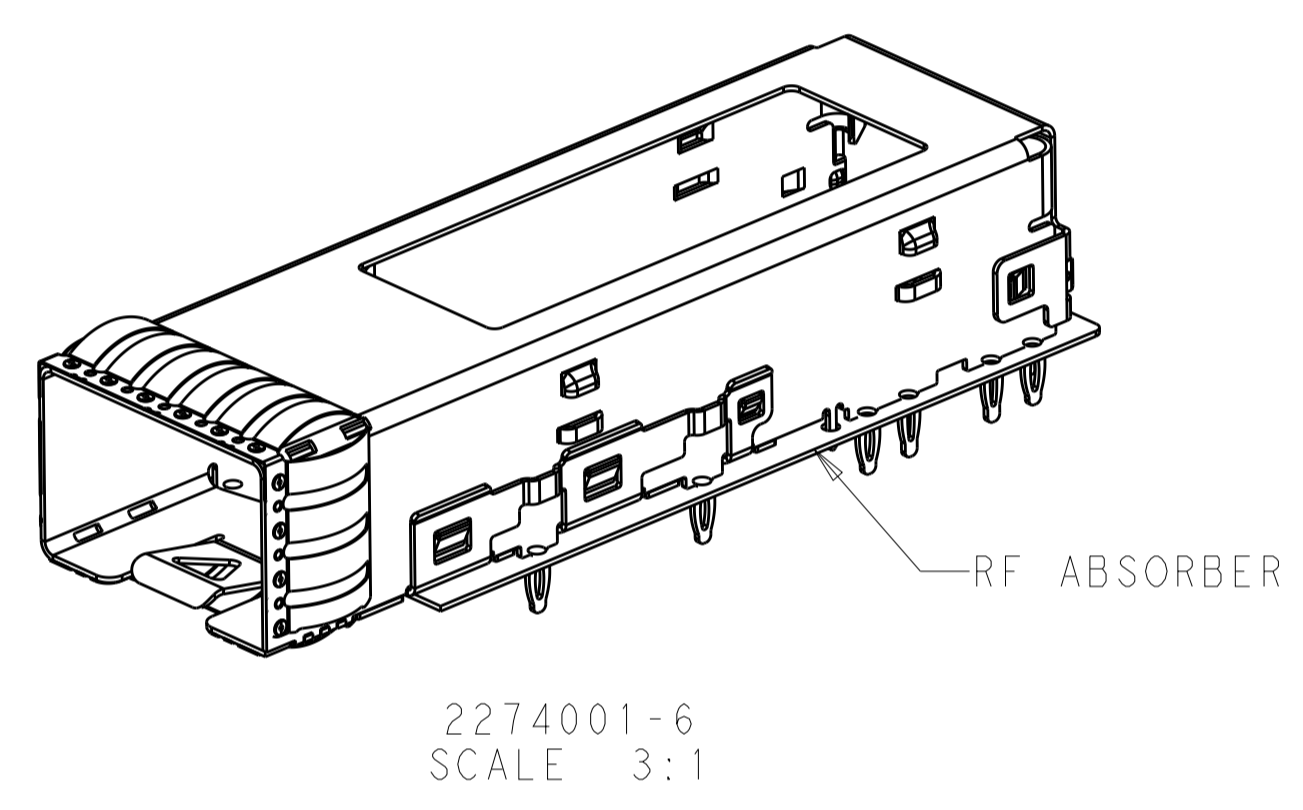
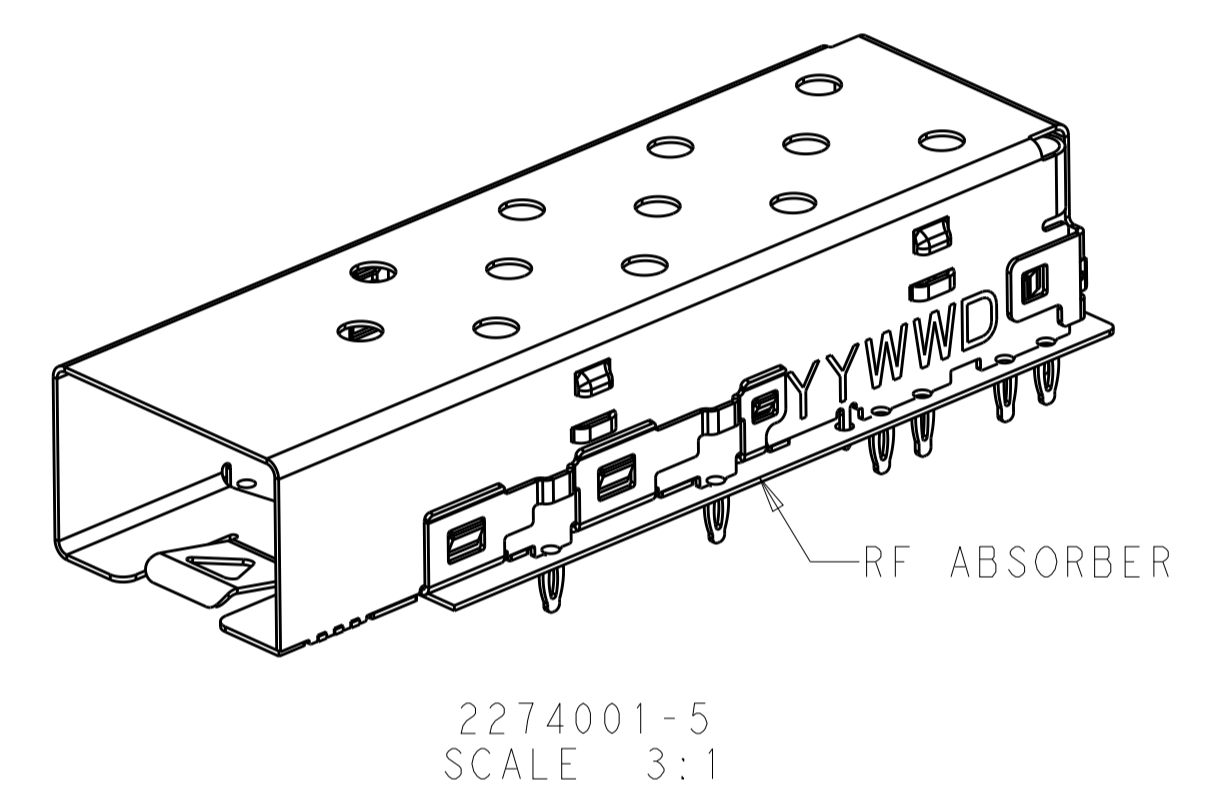
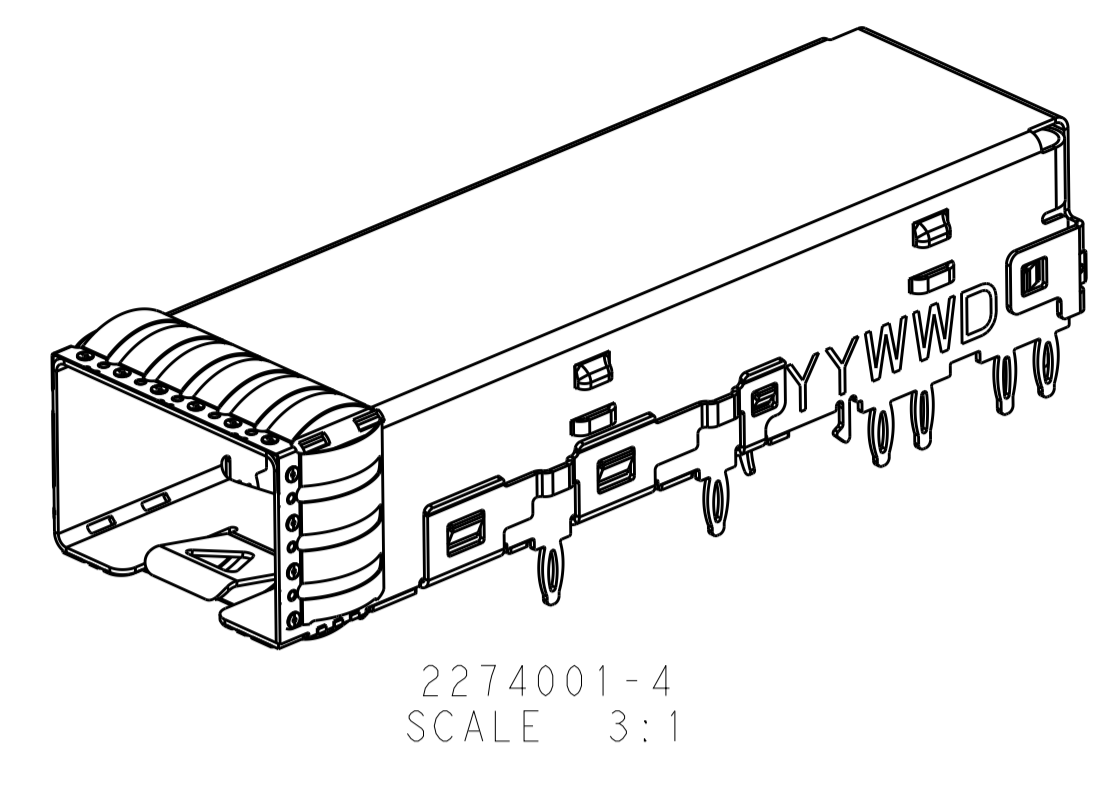
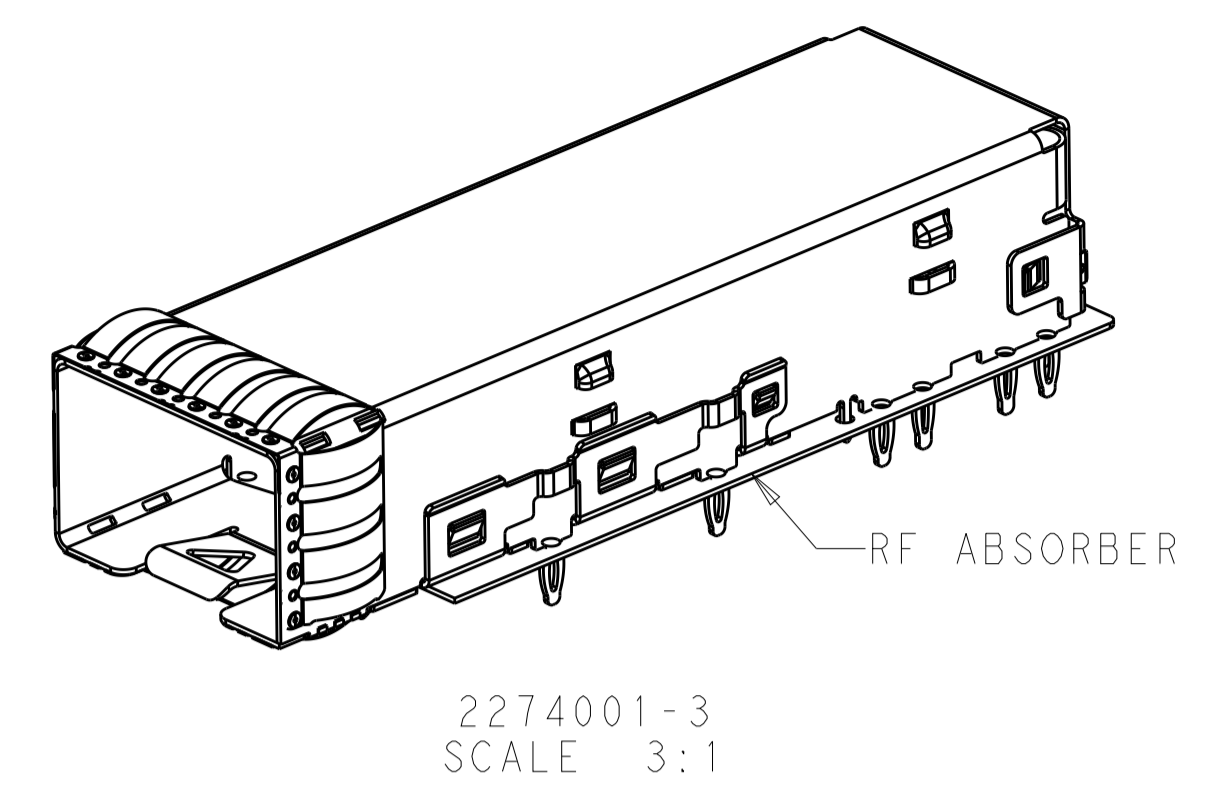
WITH HEAT SINK OPEN	2274001-6
W/O EMI SPRINGS	2274001-5
W/O VENT HOLES AND RF ABSORBER	2274001-4
W/O VENT HOLES	2274001-3
STANDARD TYPE	2274001-1
DESCRIPTION	PART NO

THIS DRAWING IS A CONTROLLED DOCUMENT.

DIMENSIONS:	TOLERANCES UNLESS OTHERWISE SPECIFIED:	OWN: WINDY LIU 08APR2016	CHK: SEAN HAN 08APR2016	APVD: SEAN HAN 08APR2016
mm	0 PLC ±0.1 1 PLC ±0.1 2 PLC ±0.1 3 PLC ±0.05 4 PLC ±0.05 ANGLES ±0.05	PRODUCT SPEC: 108-2364	APPLICATION SPEC: 114-13120	NAME: ZSFP+ 1X1 CAGE ASSEMBLY, PRESS-FIT STANDARD, EMI SPRINGS
MATERIAL:	FINISH:	SIZE: CAGE CODE DRAWING NO	WEIGHT: -	RESTRICTED TO: -
CUSTOMER DRAWING		SCALE: 5:1	SHEET 1 OF 3	REV B

STE TE Connectivity

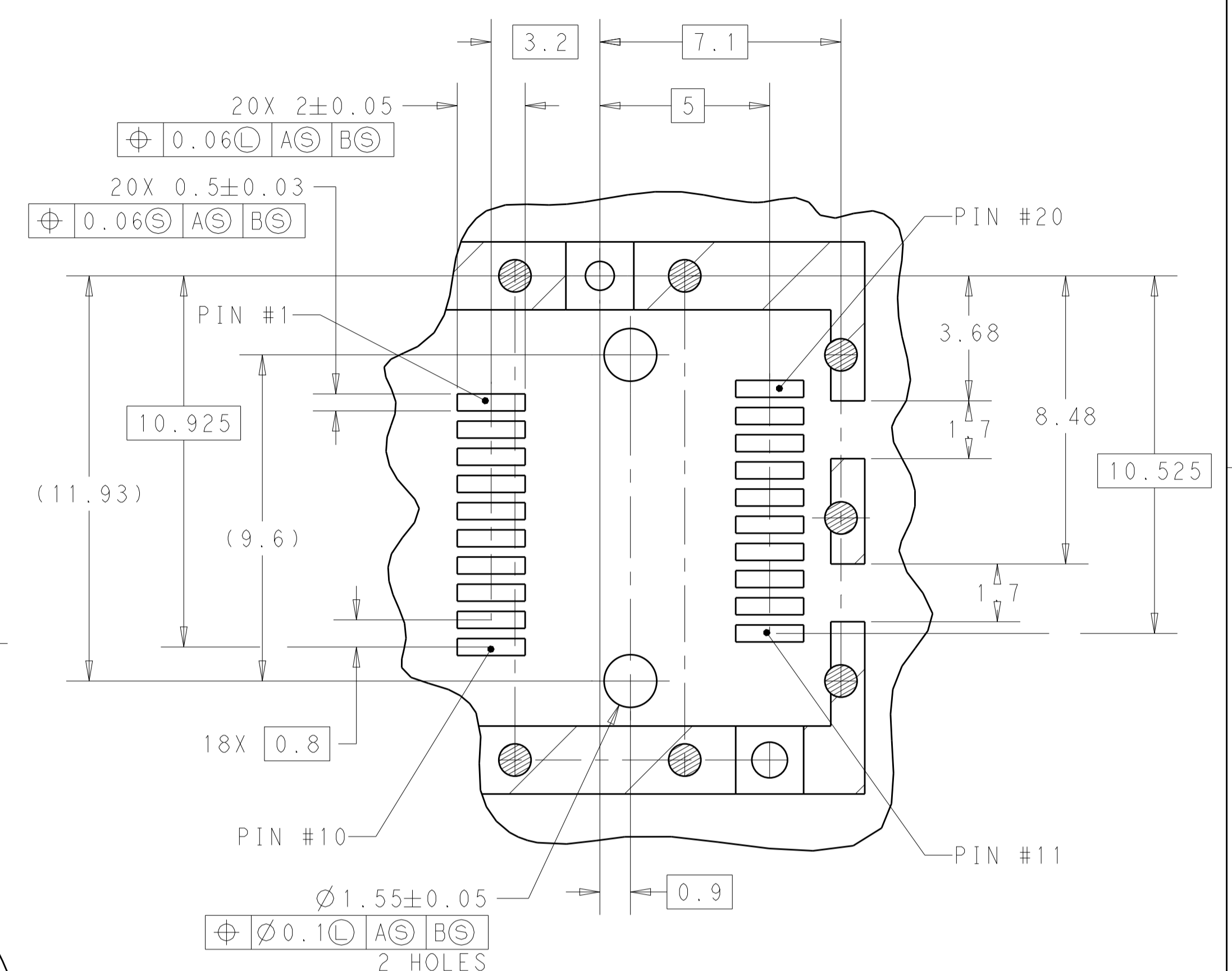
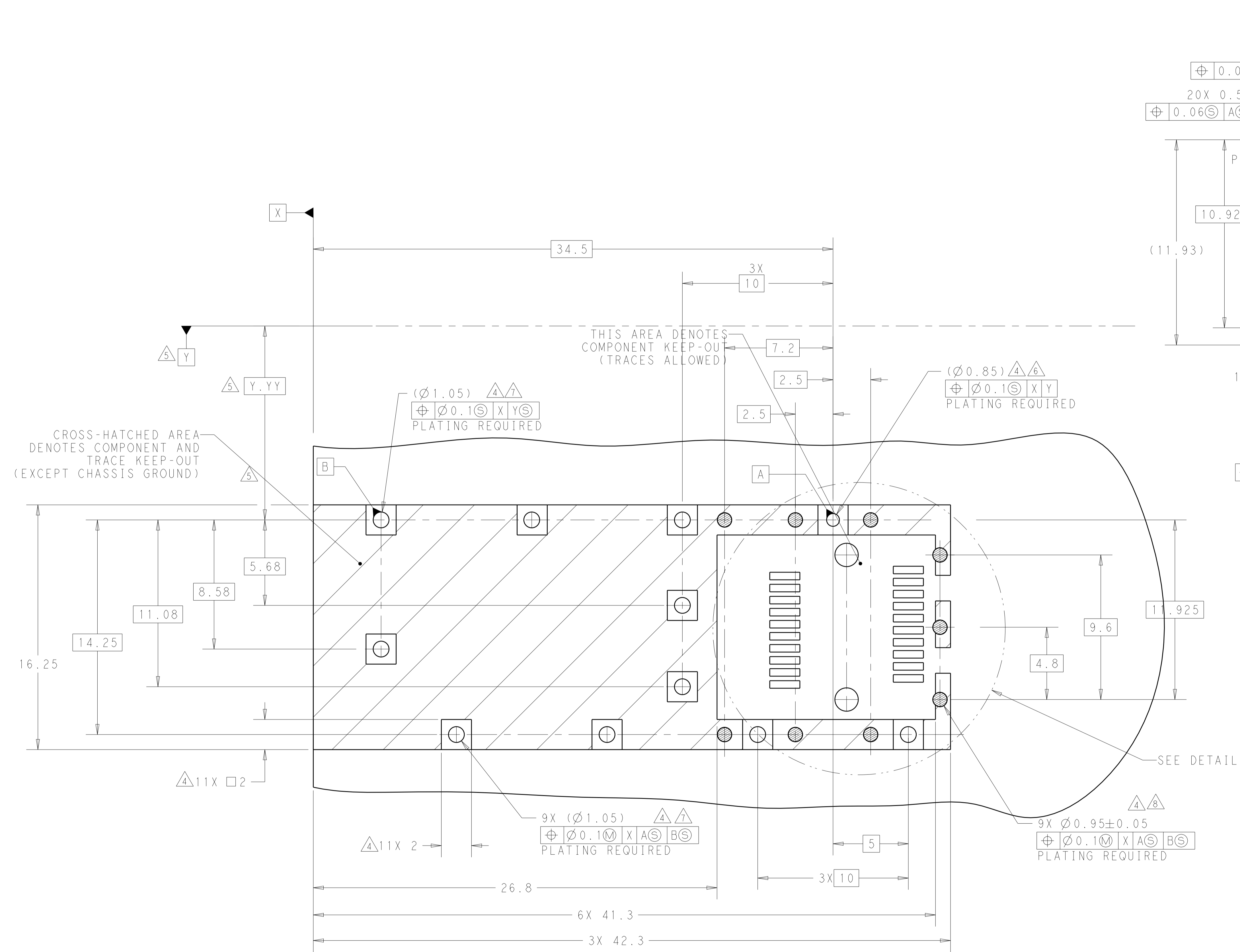
LOC	DIST	REVISIONS			
GP	00	REV	DATE	BY	APPD
-	-	SEE SHEET 1	-	-	-



THIS DRAWING IS A CONTROLLED DOCUMENT.		OWN: VINDY LIU 08APR2016	
DIMENSIONS: mm		CHK: SEAN HAN 08APR2016	
TOLERANCES UNLESS OTHERWISE SPECIFIED:		APVD: SEAN HAN 08APR2016	NAME: ZSFP+ 1X1 CAGE ASSEMBLY, PRESS-FIT STANDARD, EMI SPRINGS
0 PLC ±0.1	1 PLC ±0.1	PRODUCT SPEC	SIZE: CAGE CODE DRAWING NO
2 PLC ±0.1	3 PLC ±0.05	108-2364	RESTRICTED TO
4 PLC ±0.05	ANGLES ±0.05	APPLICATION SPEC	A100779C=2274001
MATERIAL FINISH		WEIGHT: 114-13120	SCALE: 5:1 SHEET 2 OF 3 REV B
CUSTOMER DRAWING			

LOC	DIST	REV	DATE	APPD
GP	00			

REVISIONS				
REV	DATE	APPD	DESCRIPTION	DATE
-	-	-	SEE SHEET 1	-



RECOMMENDED PCB LAYOUT
SCALE 7:1

THIS DRAWING IS A CONTROLLED DOCUMENT.		OWN: VINDY LIU 08APR2016	TE Connectivity
DIMENSIONS: mm		CHK: SEAN HAN 08APR2016	
TOLERANCES UNLESS OTHERWISE SPECIFIED:		APPD: SEAN HAN 08APR2016	NAME: zSFP+ 1X1 CAGE ASSEMBLY, PRESS-FIT STANDARD, EMI SPRINGS
0 PLC ± 0.1 1 PLC ± 0.1 2 PLC ± 0.1 3 PLC ± 0.05 4 PLC ± 0.05 ANGLES ± 0.05		PRODUCT SPEC: 108-2364	SIZE: CAGE CODE DRAWING NO: A100779C=2274001
MATERIAL: FINISH:		APPLICATION SPEC: 114-13120	RESTRICTED TO:
		WEIGHT:	SCALE: 5:1 SHEET 3 OF 3 REV B
		CUSTOMER DRAWING	

单击下面可查看定价，库存，交付和生命周期等信息

[>>TE Connectivity\(泰科\)](#)