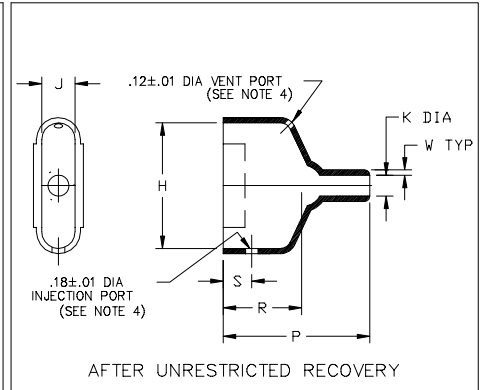
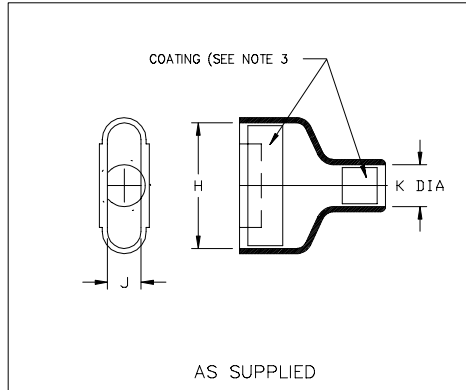


Thermofit[®] Molded Parts Specification Control Drawing

Part Number : 214A511 thru 552
Description : Boot, Rectangular, Straight Environmental, Subminiature

NOTES

- All dimensions are in $\frac{\text{inches}}{\text{[millimeters]}}$
- Dimensions appearing in table are as follows:
 - a - As Supplied
 - b - After Unrestricted Recovery
- Coating is optional. As supplied dimensions appearing in table are for uncoated parts. When coating is added, entry diameters will be reduced by .06 max.
- Molding ports are optional. When -00 modification number is specified molding ports will be located as shown.



PART NUMBER	H		J		K		P	R	S	W	This Boot Fits Cannon
	Min a	±5% b	Min a	±5% b	Min a	Max b					
214A511	.83 [21,1]	.80 [20,3]	.49 [12,2]	.42 [10,7]	.31 [7,9]	.16 [4,1]	1.31 [33,3]	.75 [19,1]	.31 [7,87]	.04 [1,02]	DED-9
214A521	1.15 [29,2]	1.11 [28,2]	.49 [12,2]	.42 [10,7]	.40 [10,2]	.21 [5,3]	1.53 [38,9]	.87 [22,1]	.31 [7,87]	.04 [1,02]	DAD-15
214A532	1.69 [42,9]	1.66 [42,2]	.49 [12,2]	.42 [10,7]	.55 [14,0]	.32 [8,1]	1.77 [45,0]	1.00 [25,4]	.31 [7,87]	.04 [1,02]	DBD-25
214A542	2.35 [59,7]	2.31 [58,7]	.49 [12,2]	.42 [10,7]	.68 [17,3]	.34 [8,6]	2.10 [53,3]	1.12 [28,4]	.31 [7,87]	.04 [1,02]	DCD-37
214A552	2.26 [57,4]	2.28 [57,9]	.60 [15,2]	.54 [13,7]	.75 [19,1]	.42 [10,7]	2.40 [61,0]	1.25 [31,8]	.31 [7,87]	.04 [1,02]	DDD-50

Raychem

RAYCHEM CORPORATION
300 CONSTITUTION DRIVE
MENLO PARK, CALIFORNIA 94025

Revision : F
Date : 2/11/98

Part Number : 214A511 thru 552
Description : Boot, Rectangular, Straight Environmental, Subminiature

Thermofit[®] Molded Parts Specification Control Drawing

Part Number : 214A511 thru 552
Description : Boot, Rectangular, Straight Environmental, Subminiature

MATERIAL DASH NO.	MATERIAL DESCRIPTION	RT SPEC	COATING SLASH NO.	COATING S NO.	COATING DESCRIPTION
-3	Polyolefin, Semi-rigid	RT-301	/42	S-1017	Adhesive
-4	Polyolefin, Flexible	RT-1304	/42	S-1017	Adhesive
-25	Elastomer, Fluid Resistant	RT-1325	/86	S-1048	Adhesive

**If this document is printed it becomes uncontrolled.
Check for the latest revision.**

ORDERING INFORMATION			
Base part number	214A511	-XX	-XX /XXX
Material dash number (See Compatibility Chart)			
Modification number (If necessary, see front of scd binder for a complete list)			
Adhesive slash number (If necessary, see Compatibility Chart)			

THIS DRAWING IS SUBJECT TO CHANGE WITHOUT NOTICE; CONSULT YOUR NEAREST FIELD REPRESENTATIVE FOR CURRENT REVISION

Raychem

RAYCHEM CORPORATION
300 CONSTITUTION DRIVE
MENLO PARK, CALIFORNIA 94025

Revision : F
Date : 2/11/98

Part Number : 214A511 thru 552
Description : Boot, Rectangular, Straight Environmental, Subminiature

单击下面可查看定价，库存，交付和生命周期等信息

[>>TE Connectivity\(泰科\)](#)