

4

3

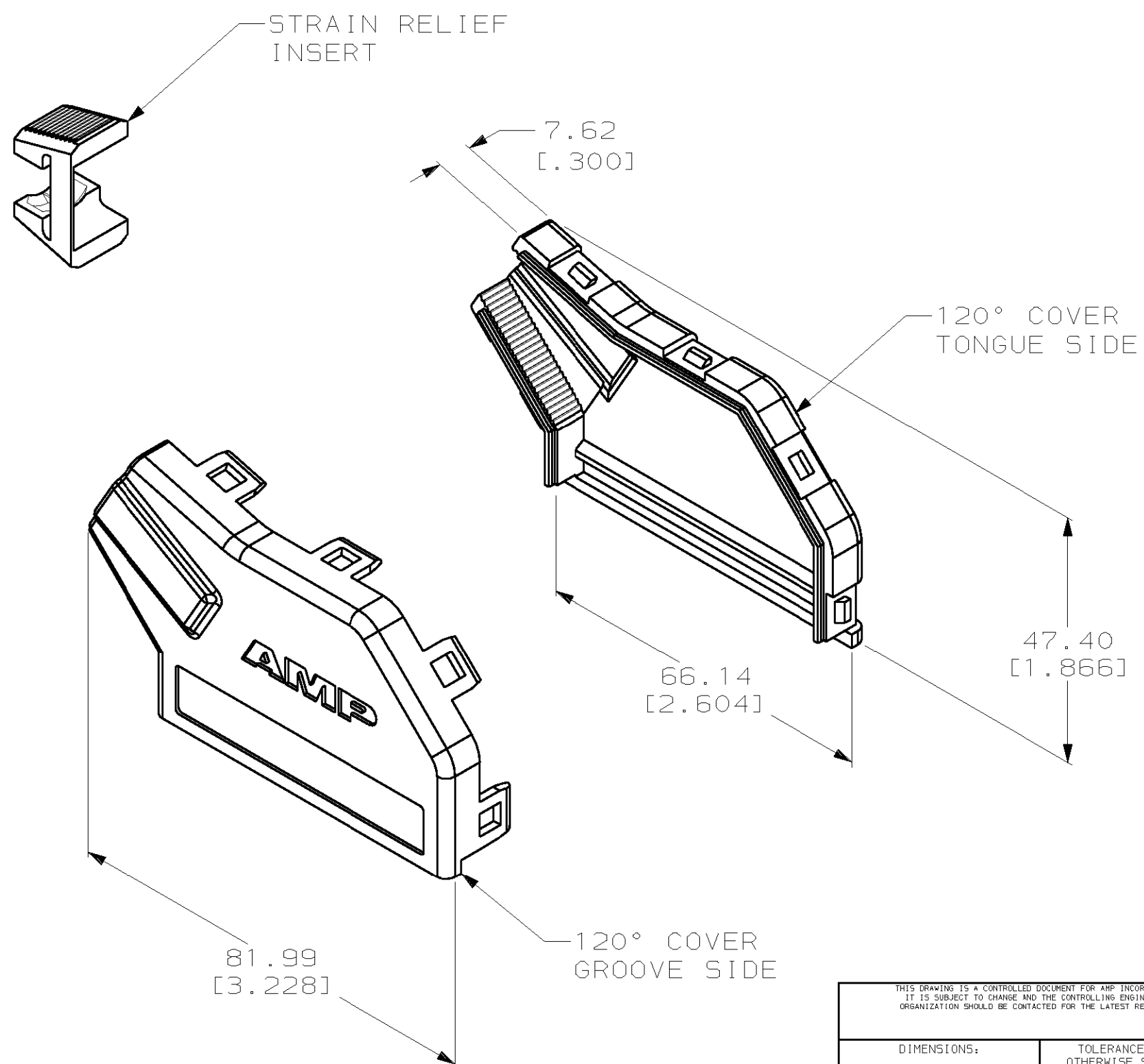
2

1

THIS DRAWING IS UNPUBLISHED. RELEASED FOR PUBLICATION ,19 .
 © COPYRIGHT 19 BY AMP INCORPORATED. ALL RIGHTS RESERVED.

LOC	DIST	REVISIONS			
P	LTR	DESCRIPTION	DATE	DWN	APVD
AA	20	A	REVISED; ECOU1C-0075-01	01MAR01	DLD EWB

1. THIS KIT SHIPPED NOT ASSEMBLED.
2. CABLE RANGE: $\varnothing 8.9-17.3$ [.350-.680].



BLACK	569336-3
ALMOND	569336-1
COLOR	PART NUMBER

THIS DRAWING IS A CONTROLLED DOCUMENT FOR AMP INCORPORATED. IT IS SUBJECT TO CHANGE AND THE CONTROLLING ENGINEERING ORGANIZATION SHOULD BE CONTACTED FOR THE LATEST REVISION.		DWN DL DRUMMOND 5-09-95	AMP AMP Incorporated Harrisburg, PA 17105-3608
DIMENSIONS: mm [INCHES]		CHK N. JONES 5-12-95	
TOLERANCES UNLESS OTHERWISE SPECIFIED: 0 PLC ±- 1 PLC ±- 2 PLC ±- 3 PLC ±0.13 [.005] 4 PLC ±- ANGLES ±-		APVD M. HUGHES 5-19-95	NAME COVER KIT, 120 DEGREE, 50 POSITION, CHAMP SYSTEM 5
MATERIAL - FINISH -		PRODUCT SPEC -	SIZE A3 CAGE CODE 00779 DRAWING NO C-569336
		APPLICATION SPEC -	SCALE 1:1 SHEET 1 OF 1 REV A
		WEIGHT -	CUSTOMER DRAWING

单击下面可查看定价，库存，交付和生命周期等信息

[>>TE Connectivity\(泰科\)](#)