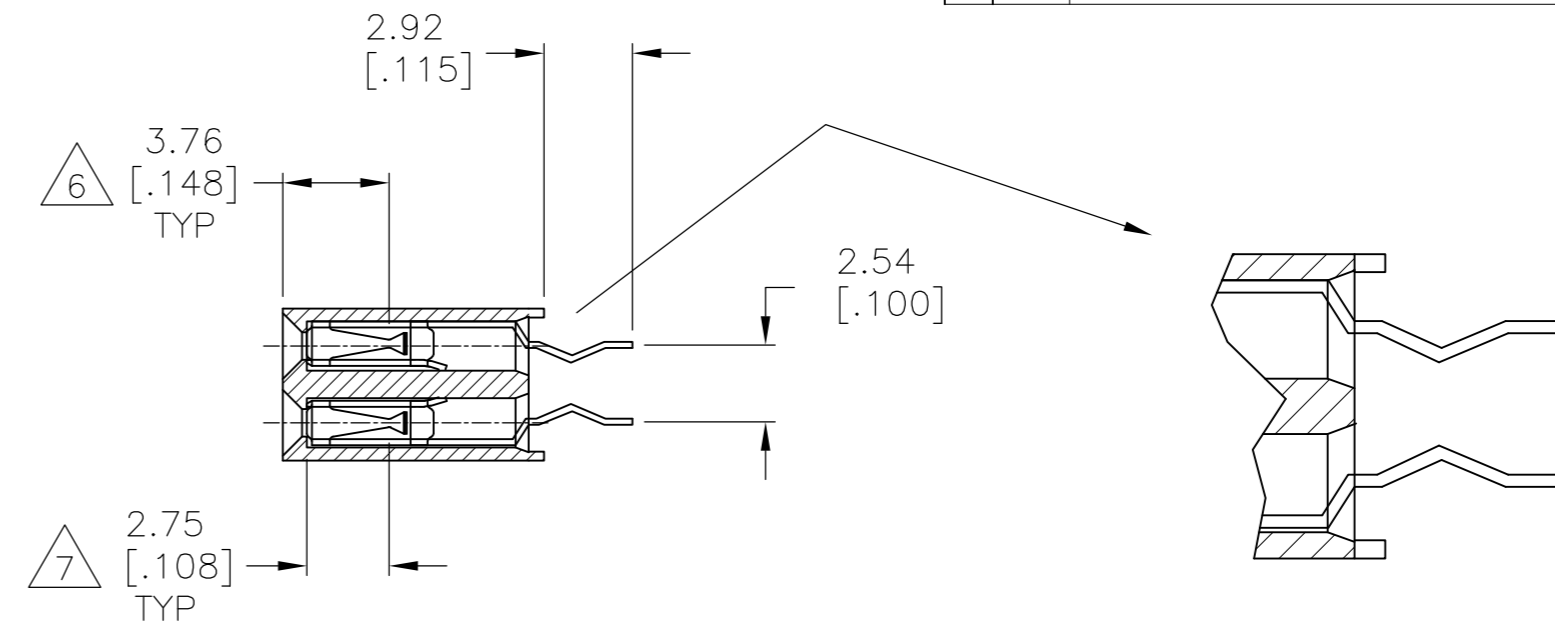
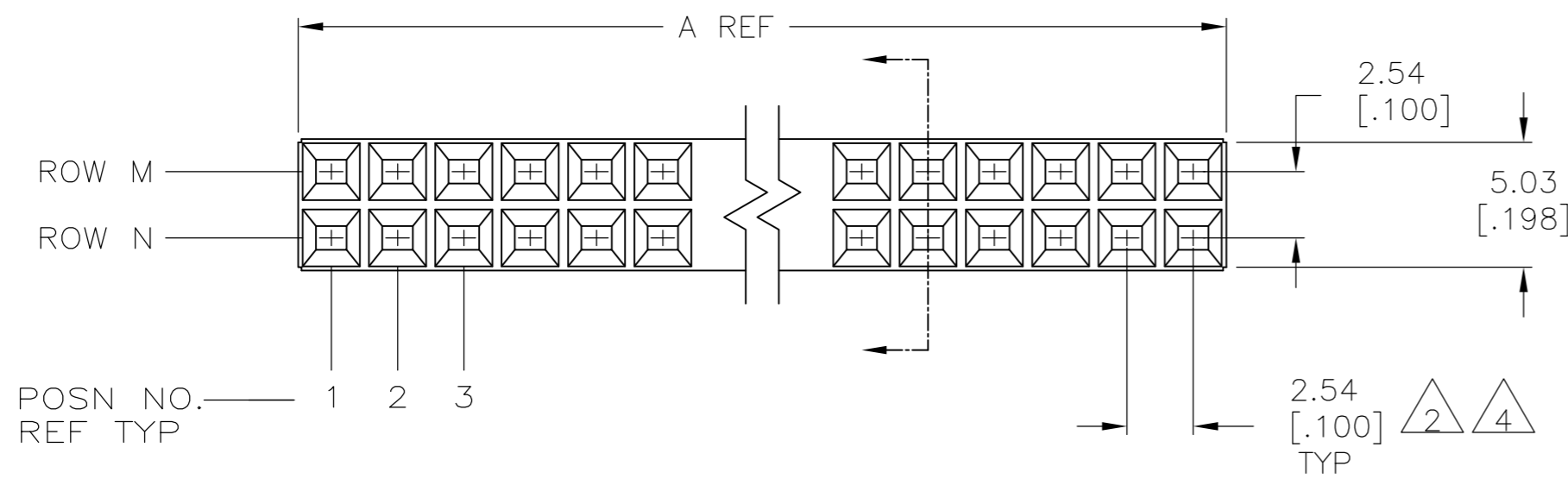


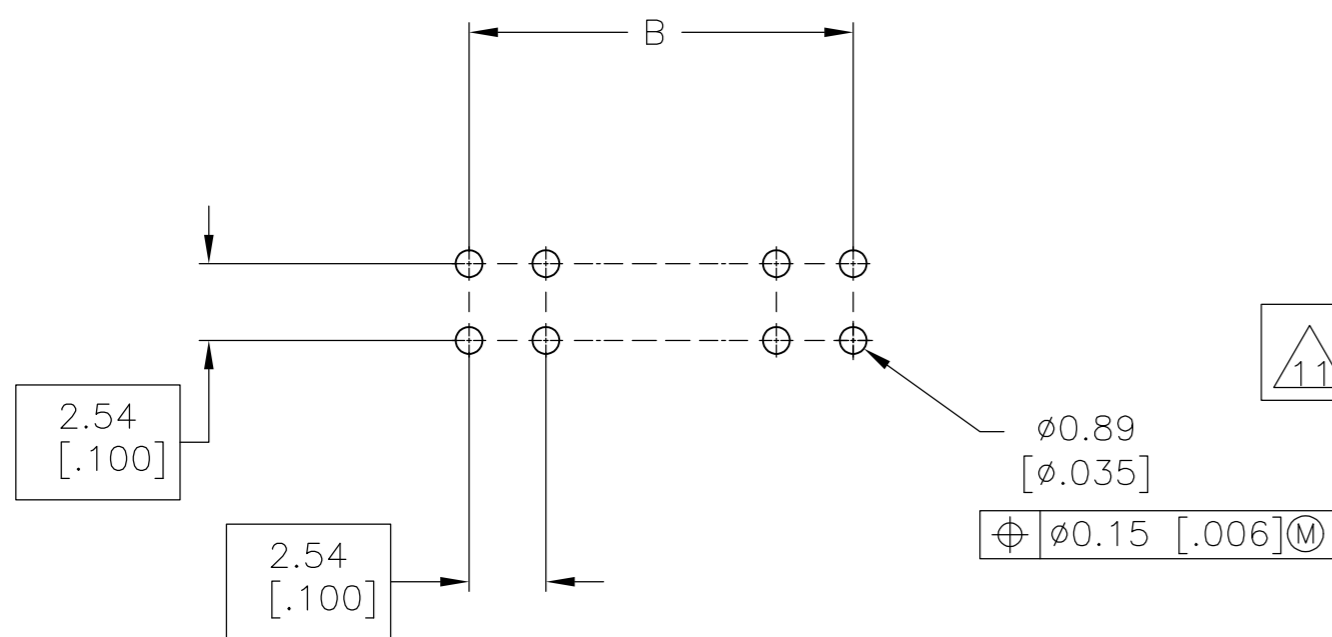
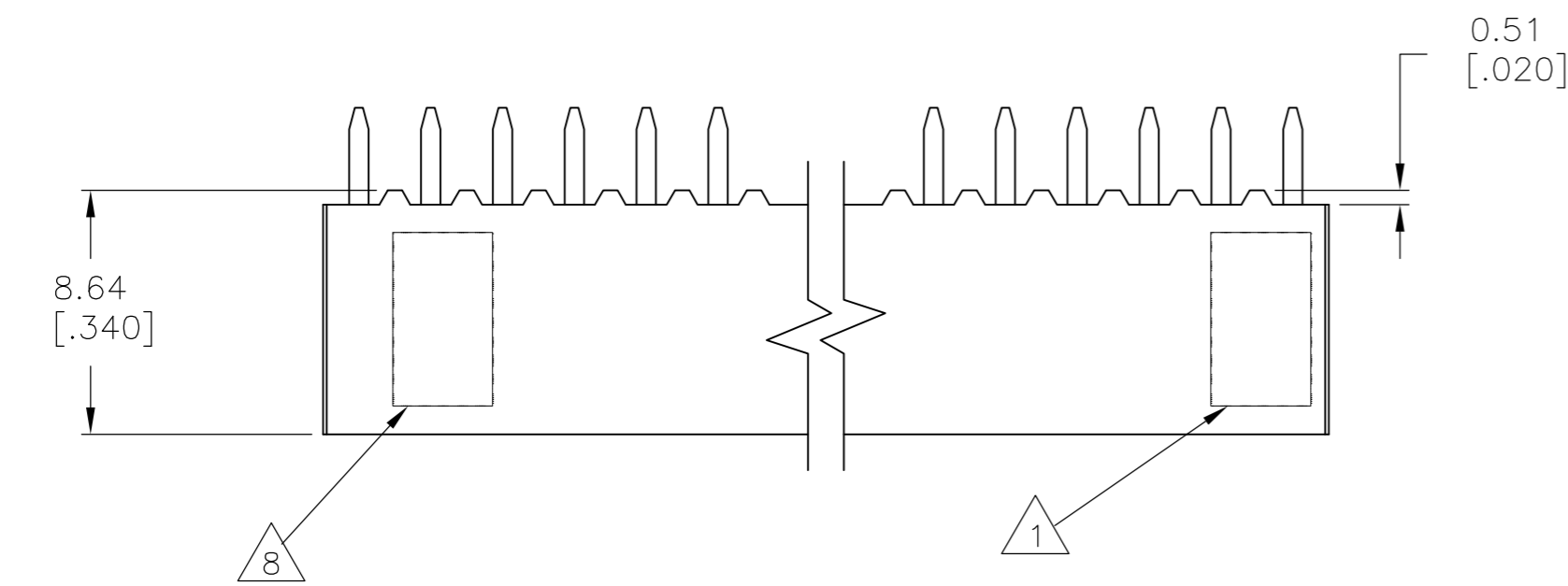
THIS DRAWING IS UNPUBLISHED. RELEASED FOR PUBLICATION  
 © COPYRIGHT BY TYCO ELECTRONICS CORPORATION. ALL RIGHTS RESERVED.

LOC	DIST	REVISIONS			
P	LTR	DESCRIPTION	DATE	DWN	APVD
AD	00				
	E	EC 0G3C 0845 04	03FEB05	BSV	JRO
	E1	REVISED PER ECO-09-021826	03SEP09	KK	AEG



SECTION Z-Z

BOARD RETENTION FEATURE



RECOMMENDED HOLE LAYOUT

1. TYCO LOGO AND CSA LOGO ARE MOLDED INTO HOUSING.
2. TOLERANCE NON-CUMULATIVE
3. DUPLEX PLATED: 0.000762[.000030] GOLD IN CONTACT AREA, 0.00381-0.00762[.000150-.000300] BRIGHT TIN-LEAD ON TINES, ALL OVER 0.00127[.000050] MIN NICKEL
4. THESE DIMENSIONS PERTAIN TO CAVITY CENTERLINES ONLY, NOT TO CONTACT LOCATIONS.
5. HOUSING: GLASS FILLED, FLAME RETARDANT POLYESTER; COLOR-BLACK CONTACT: PHOSPHOR BRONZE
6. POINT OF CONTACT MEASUREMENT.
7. POINT OF MEASUREMENT FOR PLATING THICKNESS. (INCLUDES CONTACT BEAM)
8. PART NUMBER AND DATE CODE ARE MARKED IN APPROXIMATE LOCATION SHOWN.
9. DUPLEX PLATED: 0.000762[.000030] GOLD IN CONTACT AREA, 0.00381-0.00762[.000150-.000300] MATTE TIN, ALL OVER 1.27 [.000050] MIN NICKEL
10. ROHS 2002 /95/EC COMPLIANT.
11. OBSOLETE PARTS: OBSOLETE CIS STREAMLINING PER D.RENAUD/D.SINISI

11 OBSOLETE	9	1,2,13,14	1,2,13,14	NONE	3	35.56 [1.400]	33.02 [1.300]	28	10 5-146148-1
	3	1,2,13,14	1,2,13,14	NONE	3	35.56 [1.400]	33.02 [1.300]	28	146148-1
FINISH		ROW M	ROW N	ROW M	ROW N	A	B	NO OF POSN	PART NUMBER
		KINK POSN NO		POSITION OMITTED					

THIS DRAWING IS A CONTROLLED DOCUMENT.

DWN	J KNAUB	8-6-94
CHK	A GABANY	8-8-94
APVD	A GABANY	8-8-94
PRODUCT SPEC		
APPLICATION SPEC		
WEIGHT	-	
CUSTOMER DRAWING		

**tyco Electronics** Tyco Electronics Corporation  
Harrisburg, Pa 17105-3608

NAME: RECPT. ASSY., MOD II, .100 X .100  
S.P.O.C.,

SIZE	CAGE CODE	DRAWING NO	RESTRICTED TO
A2	00779	C=146148	-
SCALE	SHEET	OF	REV
4:1	1	1	E1

146148

A

单击下面可查看定价，库存，交付和生命周期等信息

[>>TE Connectivity\(泰科\)](#)