

THIS DRAWING IS UNPUBLISHED.

RELEASED FOR PUBLICATION

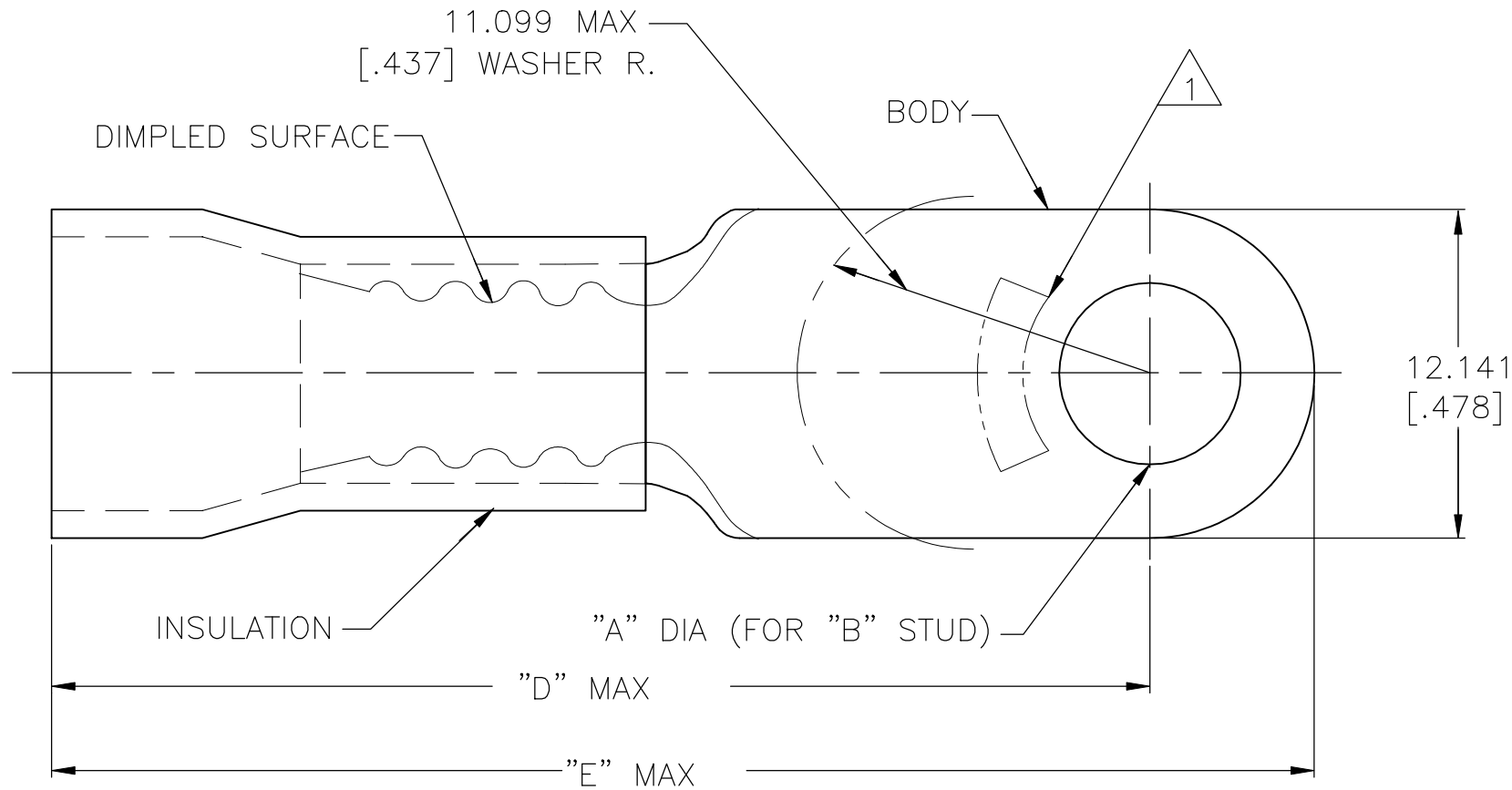
--

REVISIONS

© COPYRIGHT - By - ALL RIGHTS RESERVED.

P	LTR	DESCRIPTION	DATE	DWN	APVD
	R3	REVISED PER ECO-11-004587	07APR11	RK	HMR
	R4	REVISED PER ECO-17-014338	27MAR2018	RS	DR

AMP WIRE RANGE	 FILE E13288	 LR7189 Certified
8 AWG STRANDED	8 AWG STRANDED	8 AWG STRANDED

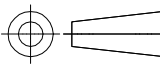



- 1 STAMP AMP 8* LOCATE APPROX AS SHOWN
- 2 BODY MATERIAL THK 0.991±0.051[.039±.002]
- 3 SEE TABLE FOR WIRE INSULATION DIA MAX
- 4 TAPE ITEMS ARE ON 30.480[1.200] CENTERS

"E"	"D"	WIRE INSULATION DIA	"B"	"A"	QTY	PACKAGE TYPE	PART NO
40.640 [1.600]	34.493 [1.358]	8.382 [.330]	M6[1/4]	6.731±0.127 [.265±.005]	500	ON TAPE	52041-9
40.284 [1.586]	34.137 [1.344]	9.144 [.360]	M4[#8]	4.343±0.076 [.171±.003]			52041-7
40.640 [1.600]	34.493 [1.358]	8.382 [.330]	M6[1/4]	6.731±0.127 [.265±.005]	100	LOOSE PC	52041-6
40.284 [1.586]	34.137 [1.344]	9.144 [.360]	M4[#8]	4.343±0.076 [.171±.003]			52041-3
							52041-1
							52041

AMP INCORPORATED CUSTOMER SERVICE SYSTEMS		MAX RECOMMENDED OPERATING TEMPERATURE: 105°C[221°F]
FOR ADDITIONAL PRODUCT INFORMATION OR COPIES OF DRAWINGS AND TECHNICAL DOCUMENTS	PRODUCT INFORMATION CENTER 1-800-522-6752	VOLTAGE RATING: 600 V MAX
FOR APPLICATION TOOLING INFORMATION	TOOLING ASSISTANCE CENTER 1-800-722-1111	CIRCULAR MIL AREA: 6.64-10.54mm²[13,100-20,800] STRANDED
FOR ORDER ENTRY	1-800-526-5142	

THIS DRAWING IS A CONTROLLED DOCUMENT.

DIMENSIONS: mm [INCHES]	TOLERANCES UNLESS OTHERWISE SPECIFIED:
	0 PLC ± -
	1 PLC ± -
	2 PLC ± -
	3 PLC ± 0.127[.005]
	4 PLC ± -
	ANGLES ± -
MATERIAL COPPER PER ASTM B-152 INSULATION: PVC	FINISH BODY: TIN PLATE PER ASTM-B545 INSULATION: COLOR-RED

DWN S.S. GOULDEN 9-28-93	 TE Connectivity Ltd.
CHK R. HERSEY 9-28-93	
APVD B. BARE 9-28-93	
PRODUCT SPEC UL 486 A-B	
APPLICATION SPEC 114-2161	NAME TERMINAL, RING TONGUE, PLASTI-GRIP WIRE SIZE: 8 AWG
WEIGHT	SIZE A3
CUSTOMER DRAWING	CAGE CODE 00779
	DRAWING NO C-52041
	RESTRICTED TO -
	SCALE 4:1
	SHEET 1 OF 1
	REV R4

单击下面可查看定价，库存，交付和生命周期等信息

[>>TE Connectivity\(泰科\)](#)