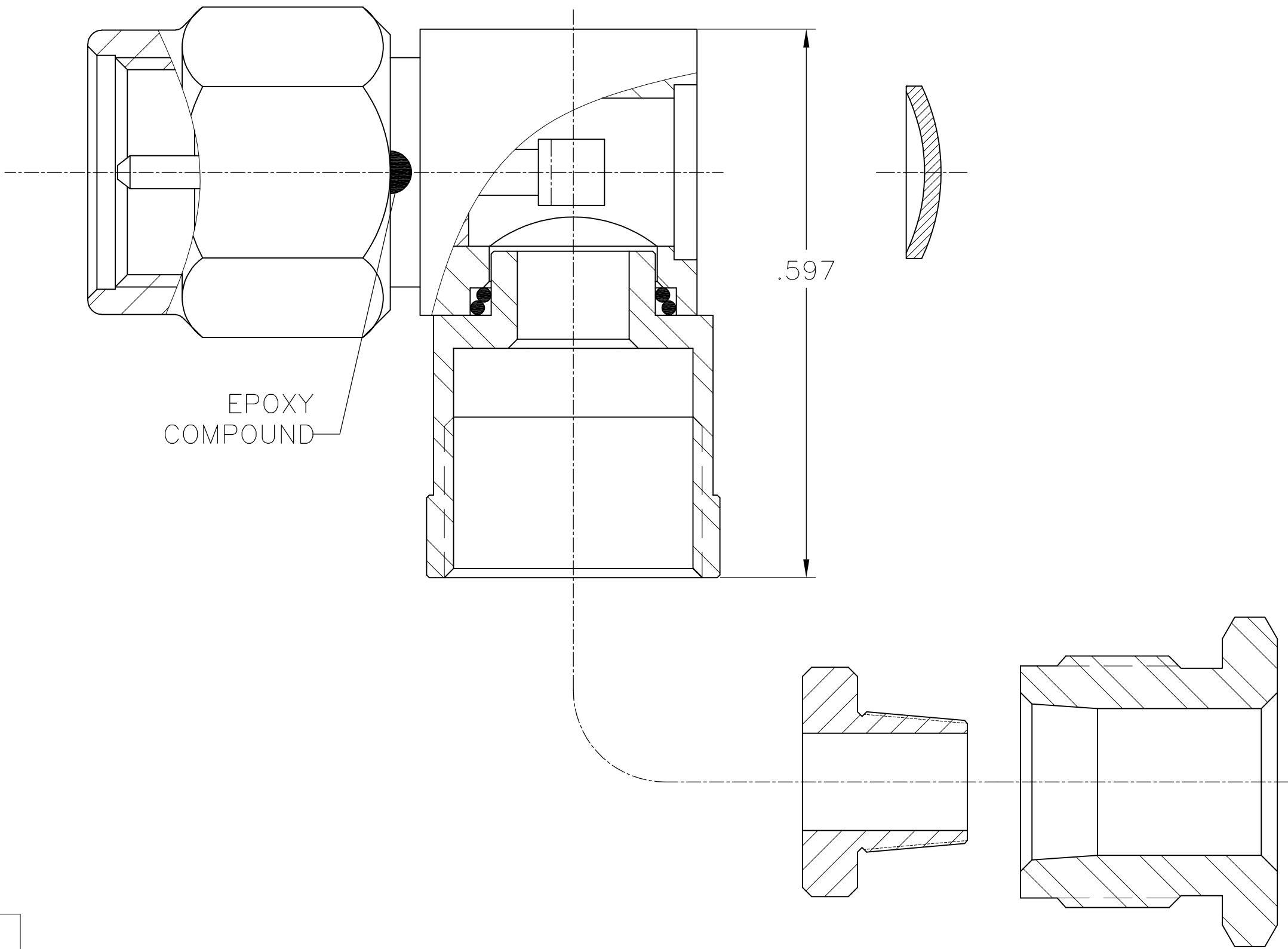


THIS DRAWING IS UNPUBLISHED. RELEASED FOR PUBLICATION  
 © COPYRIGHT - By - ALL RIGHTS RESERVED.

| LOC |     | DIST          |           | REVISIONS |      |  |  |
|-----|-----|---------------|-----------|-----------|------|--|--|
| P   | LTR | DESCRIPTION   | DATE      | DWN       | APVD |  |  |
|     | B   | ECO-11-003677 | 21APR2011 | RZ        | YM   |  |  |

- 1 BRASS
- 2 BERYLLIUM COPPER
- 3 PTFE
- 4 GOLD PLATE
- 5 STAINLESS STEEL
- 6 PASSIVATE
- 7 SILICONE RUBBER

DESIGNED FOR USE WITH  
RG-180/U & 190 CABLE



| ELECTRICAL   | MECHANICAL                                    | ENVIRONMENTAL   |
|--|---|---|
| Nominal Impedance (Ohms) 50                                  | Interface Dimensions MIL-STD-348A, Fig. 310.1 | TEMPERATURE RATING -65° TO +165°                                |
| Frequency Range (GHz) DC to 12.4                             | Recommended Mating Torque 7-10 In-Lbs         | Vibration MIL-STD-202, Method 204, Condition D                  |
| Volt Rating (VRMS MAX) @ Sea Level 335                       | Mating Characteristics:                       | Shock MIL-STD-202, Method 213, Condition I                      |
| VSWR 1.15 + .01f(GHz)  | Insertion (MAX Lbs) N/A                       | Thermal Shock MIL-STD-202, Method 107, Condition B              |
| Insertion Loss (dB MAX) .06 f(GHz)                           | Withdrawal (MIN Oz) N/A                       | Moisture Resistance MIL-STD-202, Method 106                     |
| RF Leakage (dB MIN) -[60-f(GHz)]                             | Force to Engage and Disengage (In-Lbs MAX) 2  | Corrosion - MIL-STD-202, Method 101, Condition B, 5% salt spray |
| Corona, 70,000 Ft (VRMS MIN) 250                             | Center Contact Captivation                    | .XXX = in   |
| Dielectric Withstanding Voltage (VRMS MIN) @ Sea Level 1,000 | Axial (Lbs) 6 Min                             | XX.X = mm   |
| Contact Resistance (Milliohms MAX)                           | Radial (In-Dz) N/A                            | THE QUALIFICATION TESTING HAVE NOT BEEN COMPLETED.              |
| Center Contact 3.0   | Cable Retention                               |   |
| Outer Contact 2.0  | Axial Force (Lbs) 45 MIN                      |   |
| Cable to Housing 0.5   | Torque (In-Oz) N/A                            |   |
| RF High Potential @ Sea Level (VRMS MIN @ 5 MHz) 670         | Weight (Grams) TBD                            |   |
| I.R.(Megohms MIN) 5,000                                      |   |   |

|  |     |           |        |              |                          |  |        |              |           |
|--|-----|-----------|--------|--------------|--------------------------|--|--------|--------------|-----------|
| 5 6                                    | 5 6 | 5 6       | 1 4    | 1 4          | 3                        | 2  | 1      | 5 6          | 1051144-1 |
| HOUSING                                | CAP | CLAMP NUT | COLLAR | MALE CONTACT | DIELECTRIC               | RETAINING RING                                   | GASKET | COUPLING NUT | PART NO.  |
| THIS DRAWING IS A CONTROLLED DOCUMENT. |     |           |        |              | DWN TITAN DAI 21APR2011  |  |        |              |           |
| DIMENSIONS: INCHES                     |     |           |        |              | CHK RITA ZUO 21APR2011   |  |        |              |           |
| TOLERANCES UNLESS OTHERWISE SPECIFIED: |     |           |        |              | APVD MARTIN YE 21APR2011 | NAME OSM RIGHT ANGLE CABLE PLUG CLAMP ATTACHMENT |        |              |           |
| 0 PLC ± -                              |     |           |        |              | PRODUCT SPEC -           | APPLICATION SPEC -                               |        |              |           |
| 1 PLC ± -                              |     |           |        |              | 408-4965                 | SIZE A2 CAGE CODE 00779 DRAWING NO C=1051144     |        |              |           |
| 2 PLC ± -                              |     |           |        |              | WEIGHT -                 | RESTRICTED TO -                                  |        |              |           |
| 3 PLC ± .010                           |     |           |        |              | CUSTOMER DRAWING         | SCALE 8:1 SHEET 1 OF 1 REV B                     |        |              |           |
| 4 PLC ± -                              |     |           |        |              |                          |  |        |              |           |
| ANGLES ± -                             |     |           |        |              |                          |  |        |              |           |
| FINISH -                               |     |           |        |              |                          |  |        |              |           |

单击下面可查看定价，库存，交付和生命周期等信息

[>>TE Connectivity\(泰科\)](#)