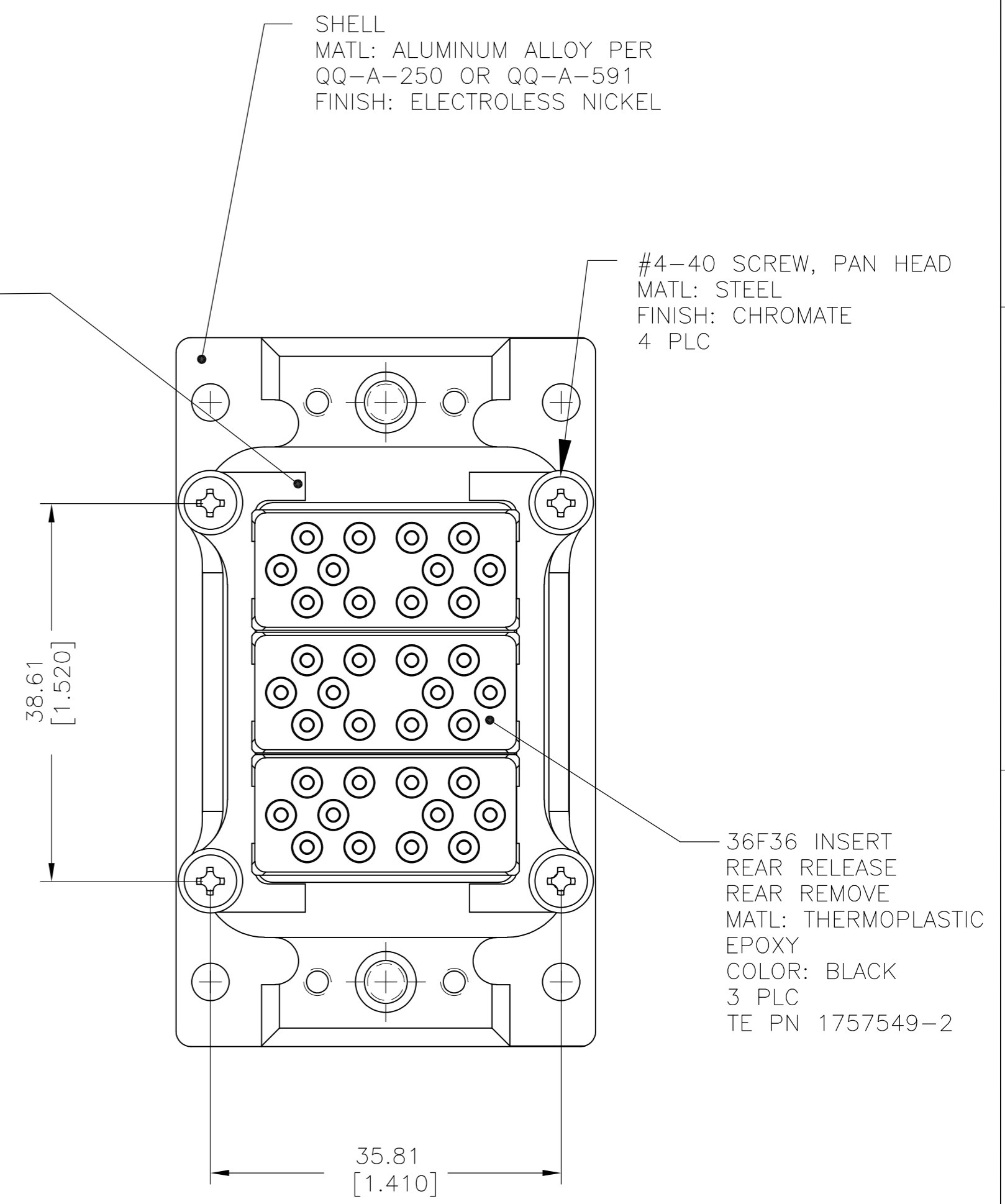
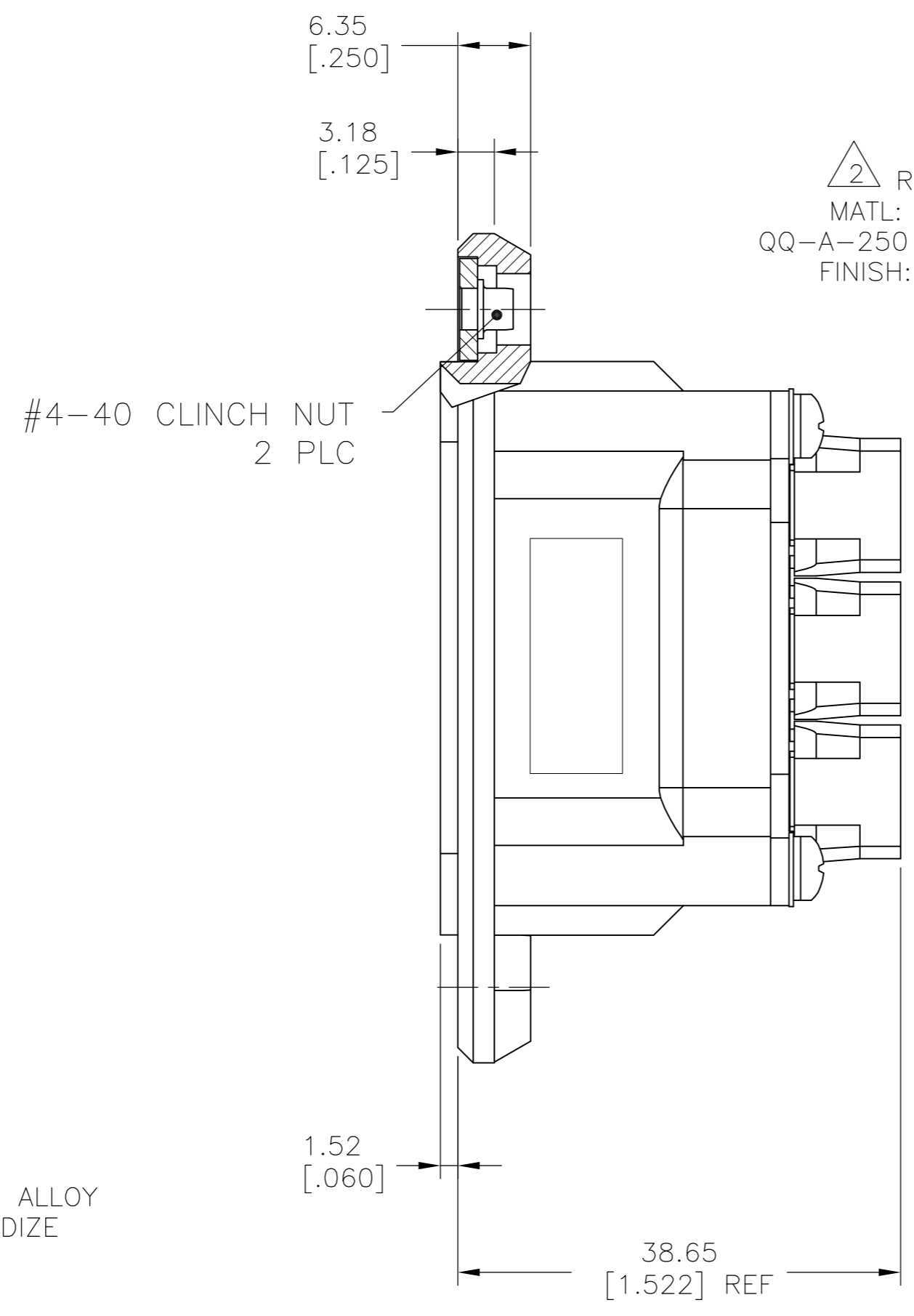
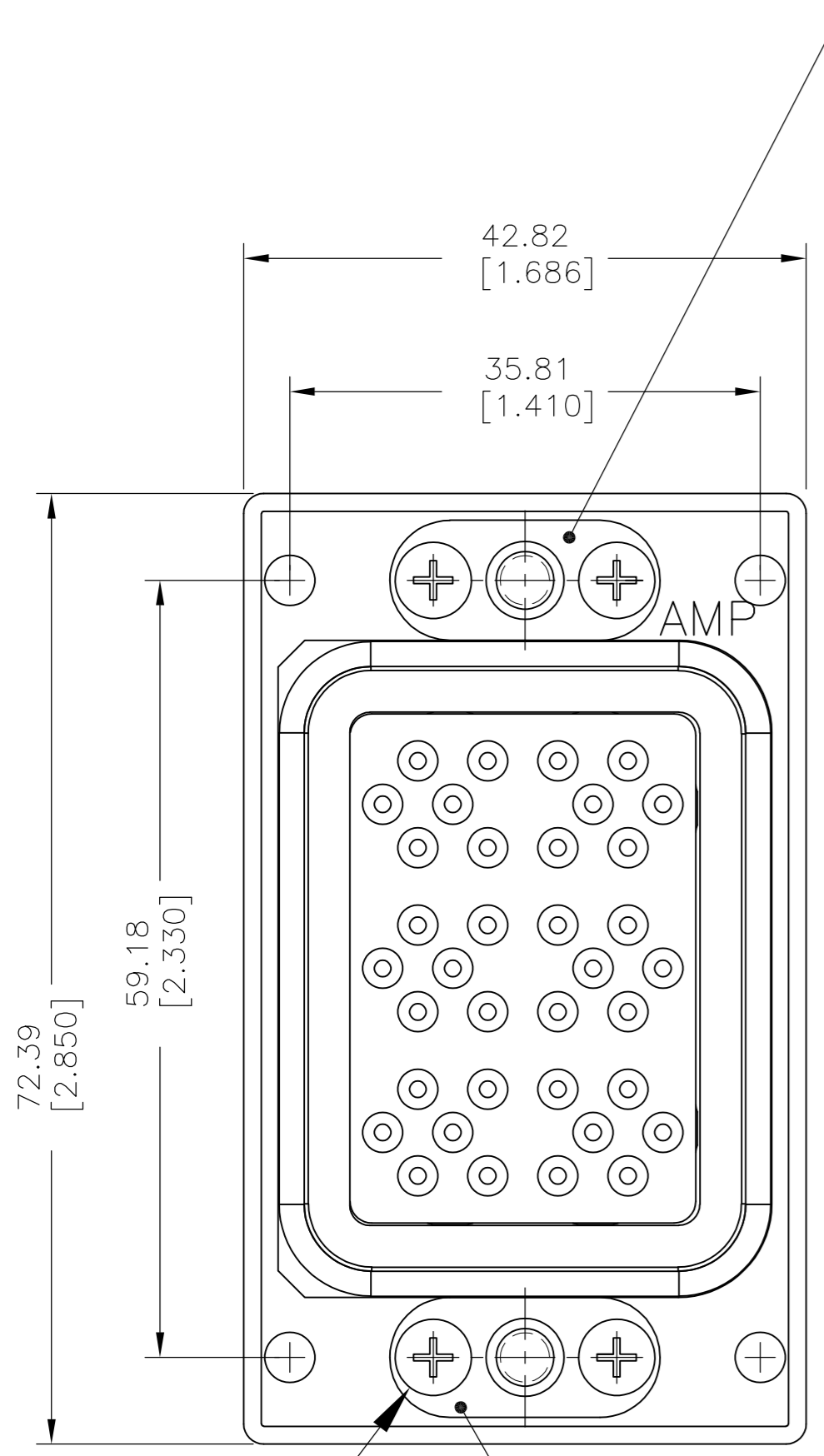


THIS DRAWING IS UNPUBLISHED. RELEASED FOR PUBLICATION
 © COPYRIGHT BY TYCO ELECTRONICS CORPORATION. ALL INTERNATIONAL RIGHTS RESERVED.

LOC		DIST		REVISIONS			
P	LTR	DESCRIPTION		DATE	DWN	APVD	
DF	XO	G		REV PER ECO 08-026967	11NOV08	CT	KT



- RUBBER GROMMET MAY BE ONE OR THREE PARTS.
- RETAINING PLATE MAY BE ONE OR TWO PIECES
- INSTALL LuxCis TERMINI INTO THE PROPER INSERT POSITION ACCORDING TO ARINC 806-2, SECTION 7.4.2.f.

THIS DRAWING IS A CONTROLLED DOCUMENT.		DWN C.C.THOMAS 7-16-07	Tyco Electronics Corporation Harrisburg, PA 17105-3608	
DIMENSIONS: mm [INCHES]		CHK K.THACKSTON 7-16-07	NAME SINGLE MOD RECEPTACLE ASSY,ARINC 600,F36	
TOLERANCES UNLESS OTHERWISE SPECIFIED:		APVD K.THACKSTON 7-16-07	SIZE A2	CAGE CODE 00779
0 PLC ± -		PRODUCT SPEC	DRAWING NO 1996183	RESTRICTED TO
1 PLC ± -		APPLICATION SPEC	SCALE 2:1	SHEET 1 OF 1
2 PLC ± -		WEIGHT -	REV G	
3 PLC ± .005 [0.13]				
4 PLC ± -				
ANGLES ± -				
FINISH SEE CALLOUTS		CUSTOMER DRAWING		

1996183-1
 PART NUMBER

单击下面可查看定价，库存，交付和生命周期等信息

[>>TE Connectivity\(泰科\)](#)