

LOC	DIST	REVISIONS					
		P	LTR	DESCRIPTION	DATE	DWN	APVD
A1	-		A1	PART NUMBER CHANGED TO TYCO ELECTRONICS	20DEC2000	ACK	GF

SEE TYCO - DRAWING SIEHE TYCO - ZEICHNUNG	C 1 393 557 - 1
--	-----------------

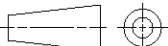

IS EQUIVALENT TO EC-COMPONENT C42334-A368-C5
ENTSPRICHT EC-KOMPONENTE C42334-A368-C5

2000

RELEASED FOR PUBLICATION

THIS DRAWING IS UNPUBLISHED.

© COPYRIGHT 2000 BY TYCO ELECTRONICS CORPORATION. ALL RIGHTS RESERVED.

DIMENSIONS: mm TOLERANCES UNLESS OTHERWISE SPECIFIED: 0 PLC ± 1 PLC ± 2 PLC ± 3 PLC ± 4 PLC ± ANGLES ±° 	DWN G. ACKERMANN	20DEC2000	MATERIAL	-	FINISH	-	
	CHK M. SCHLEIHAUF	-	 tyco Electronics AMP GmbH D - 67346 Speyer				
	APVD G. FELDMEIERS	-					
	PRODUCT SPEC	-	NAME STRAP BUEGEL				
APPLICATION SPEC	-	SIZE	CAGE CODE	DRAWING NO	RESTRICTED TO		
WEIGHT	-	A 4	00779	C=1393557-2	-		
CUSTOMER DRAWING				SCALE	1:1	SHEET 1 OF 1	REV A1

单击下面可查看定价，库存，交付和生命周期等信息

[>>TE Connectivity\(泰科\)](#)