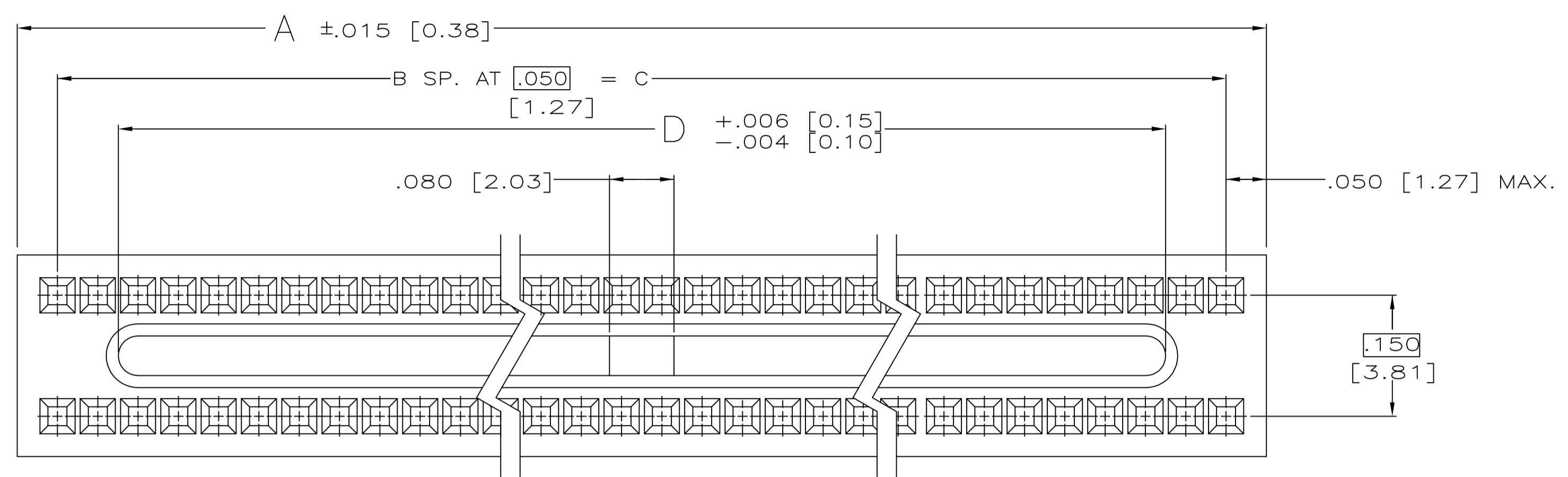
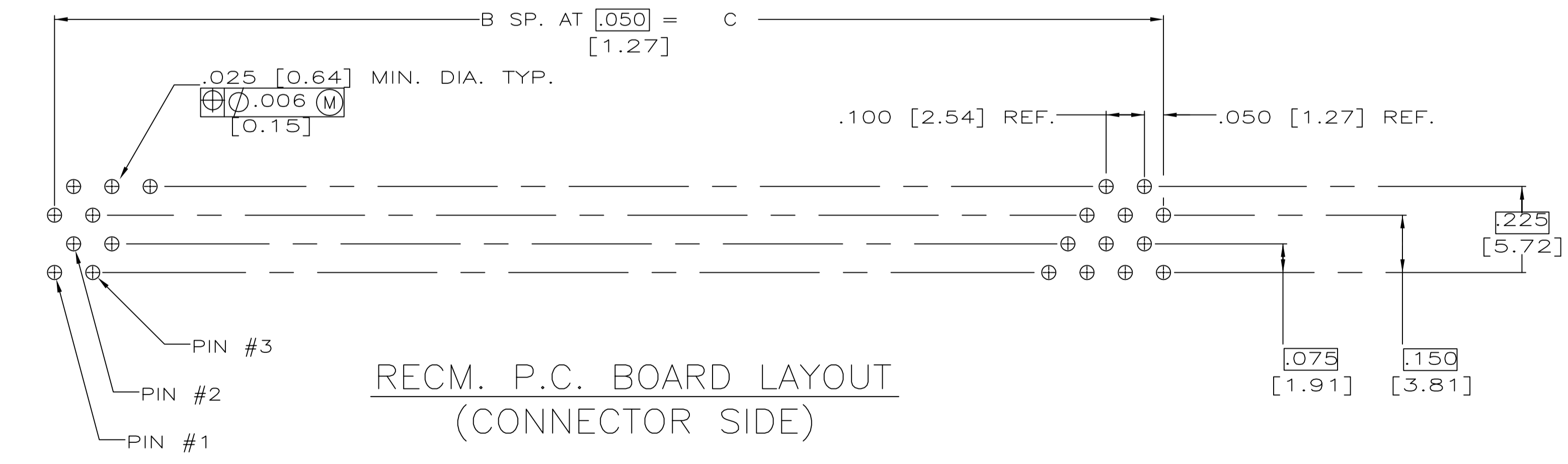
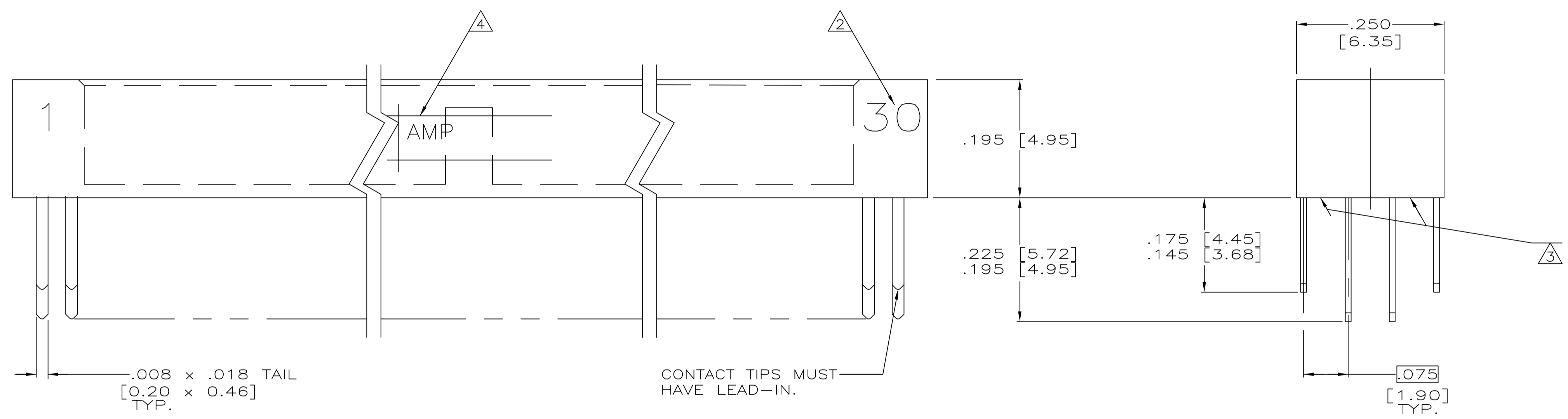


REVISIONS				
P	LTR	DESCRIPTION	DATE	OWN APVD
D		REVISED PER ECO-16-017894	27APR2017	PHM CT



1. RECEPTACLE MEETS ALL APPLICABLE REQUIREMENTS OF MIL-C-55302.
2. NUMBERS INDICATING END POSITIONS, MARKED THIS SIDE ONLY.
3. EPOXY IS ADDED TO BOTTOM OF HOUSING FOR CONTACT RETENTION ONLY, "AMP", P/N & DATE CODE, & CUSTOMER P/N, (SEE TABLE) MARKED IN THIS APPROXIMATE AREA.
4. HOUSING MATERIAL: LIQUID CRYSTAL POLYMER PER MIL-M-24519, GLCP-30F; COLOR: GRAY.



7180275-1	1/50	2.300 [58.42]	2.450 [62.23]	49	2.535 [64.39]	100	447378-2
7180277-1	1/30	1.300 [33.02]	1.450 [36.83]	29	1.535 [38.99]	60	447378-1
CUSTOMER P/N	CAVITY IDENT. 2	D	C	B	A	POSN.	PART NO.

THIS DRAWING IS A CONTROLLED DOCUMENT.

DIMENSIONS: INCHES(mm)	TOLERANCES UNLESS OTHERWISE SPECIFIED: 0 PLC ± - 1 PLC ± - 2 PLC ± - 3 PLC ± .005 [0.13] 4 PLC ± - ANGLES ± - FINISH: .00050 GOLD IN CONTACT AREAS, TIN-LEAD ON TAILS	DWN W. LEUFERT 9-17-90 DWR D. STONER 10-29-90 APVD D. STONER 10-29-90 PRODUCT SPEC APPLICATION SPEC WEIGHT	NAME MINI-BOX RECEPTACLE ASSEMBLY, SPECIAL, NO END BLOCKS SIZE CAGE CODE DRAWING NO A1 00779 C=447378 RESTRICTED TO CUSTOMER DRAWING
---------------------------	--	---	---

SCALE: 8:1 SHEET 1 OF 1 REV D

单击下面可查看定价，库存，交付和生命周期等信息

[>>TE Connectivity\(泰科\)](#)