

4

3

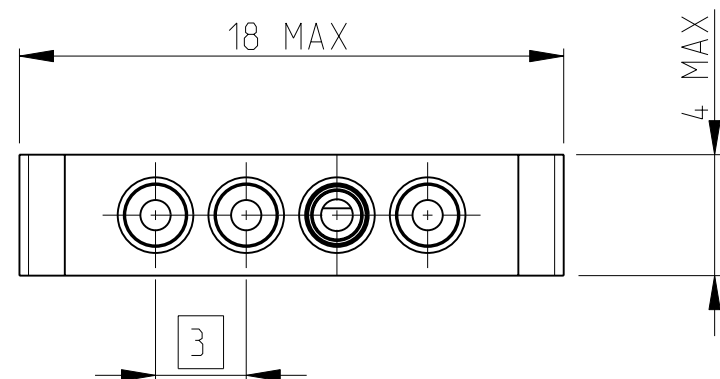
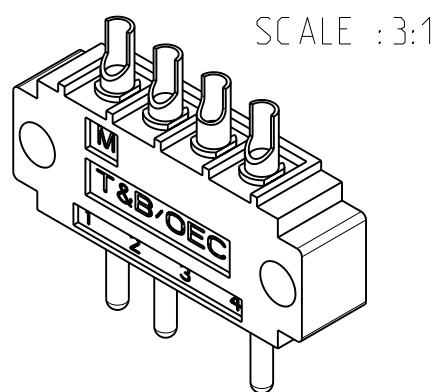
2

1

THIS DRAWING IS UNPUBLISHED. RELEASED FOR PUBLICATION 20

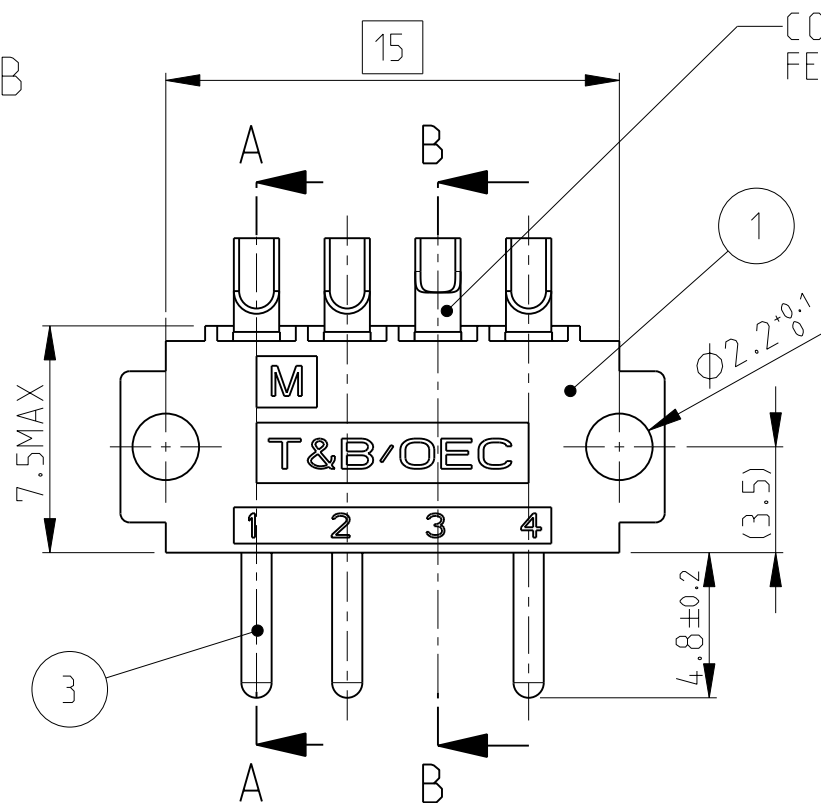
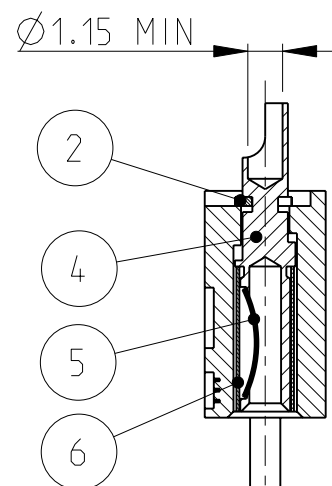
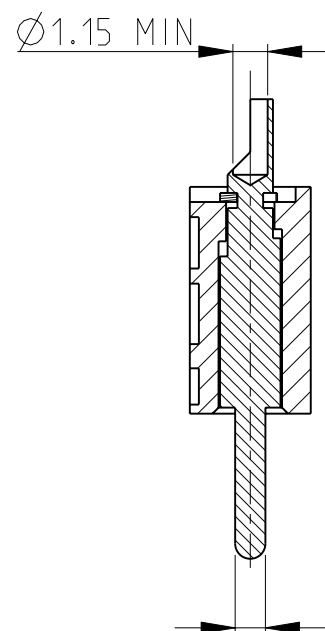
© COPYRIGHT 20 BY TYCO ELECTRONICS CORPORATION. ALL INTERNATIONAL RIGHTS RESERVED.

LOC	DIST	REVISIONS			
P	LTR	DESCRIPTION	DATE	DWN	APVD
F	00	A	PRIMARY RELEASE	8JUL2010	JT YP
		B	CLARIFICATION	09JUL2010	JT YP
		C	ADD DIM 3.5	05APR2012	JT YP



SECTION A-A

SECTION B-B



P/N 1437349-7

FINITION FINISH	MATIERE MATERIAL	DESIGNATION DESCRIPTION	REP ITEM
OR/NICKEL GOLD/NICKEL	LAITON BRASS	TUBE	6
OR/NICKEL GOLD/NICKEL	CuBe2	RESSORT SPRING	5
OR/NICKEL GOLD/NICKEL	LAITON BRASS	CONTACT FEMELLE FEMALE CONTACT	4
OR/NICKEL GOLD/NICKEL	LAITON BRASS	CONTACT MALE MALE CONTACT	3
OR/NICKEL GOLD/NICKEL	BRONZE	CLIP	2
-	PBT	ISOLANT S4 MALE S4 MALE HOUSING	1

THIS DRAWING IS A CONTROLLED DOCUMENT FOR TYCO ELECTRONICS CORPORATION IT IS SUBJECT TO CHANGE AND THE CONTROLLING ENGINEERING ORGANIZATION SHOULD BE CONTACTED FOR THE LATEST REVISION.

DIMENSIONS: mm	TOLERANCES UNLESS OTHERWISE SPECIFIED:
	0 PLC ±
	1 PLC ±0.5
	2 PLC ±0.13
	3 PLC ±0.013
	4 PLC ±0.0001
	ANGLES ±
MATERIAL TABLE	FINISH TABLE

DWN 06JUL2010	Tyco Electronics France SAS 95300 Pontoise, France	NAME	CONNECTOR CRS-SC4M-3F	RESTRICTED TO	
CHK J.THUEZ 08.JUL2010					
APVD Y.PETRONIN 08.JUL2010					
PRODUCT SPEC					
APPLICATION SPEC	SIZE A3	CAGE CODE 00779	DRAWING NO C-1437349-7		
WEIGHT -	CUSTOMER DRAWING		SCALE 4:1	SHEET 1 OF 1	REV C

单击下面可查看定价，库存，交付和生命周期等信息

[>>TE Connectivity\(泰科\)](#)