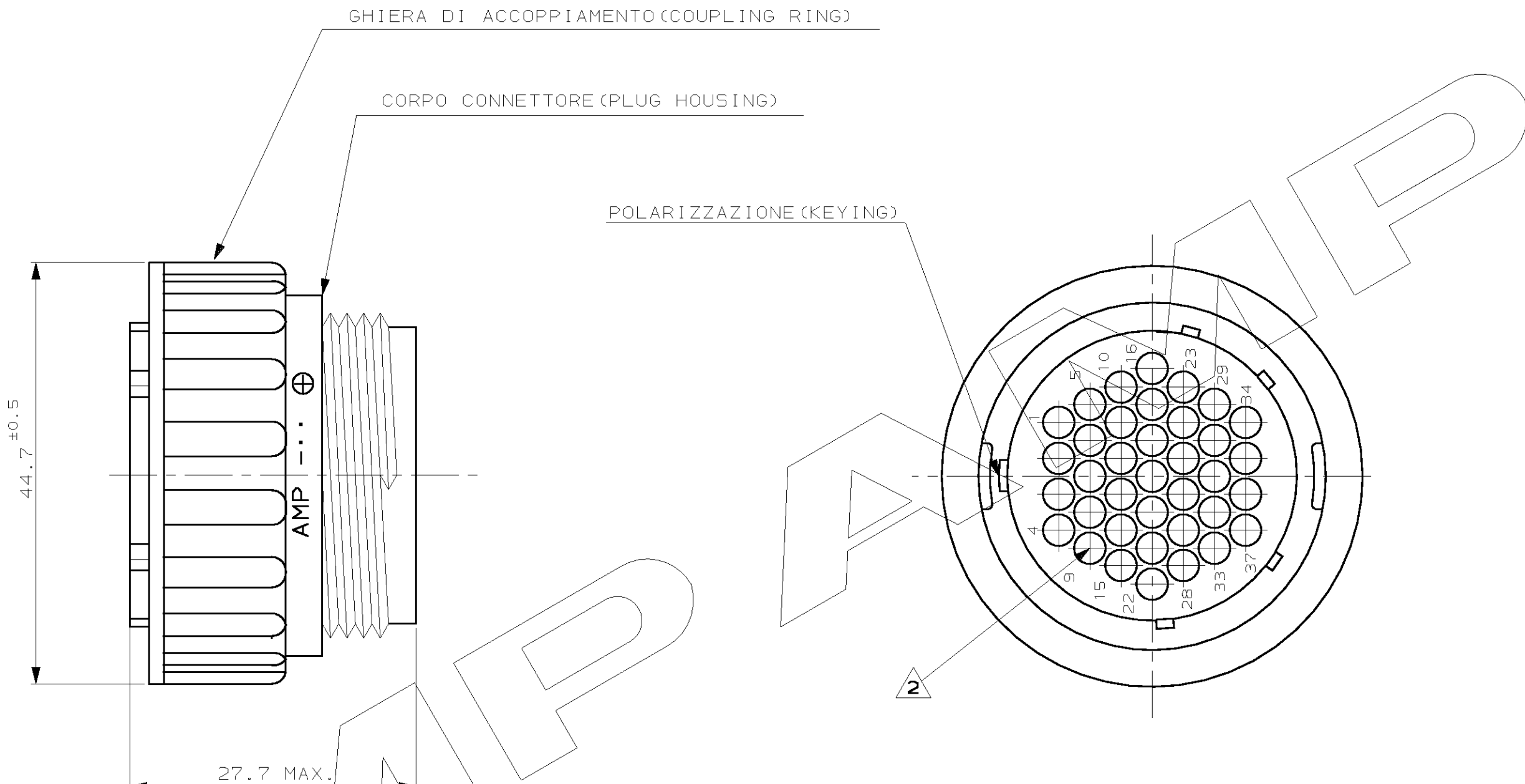


A
B
C
D
E
F



NOTE (NOTES)

- MATERIALE (MATL.): TERMOPLASTICO COLORE NERO (THERMOPLASTIC, BLACK COLOR).
- OGNI CAVITA' E IDENTIFICATA DAL NUMERO POSTO SIA SUL FRONTE CHE SUL RETRO DEL CONNETTORE. (CONTACT CAVITIES IDENTIFIED BY CHARACTERS) (ON FRONT AND REAR FACES OF CONNECTOR.)
- QUESTO CONNETTORE E' APPROVATO CON FILE N.E28476 E CERTIFICATO CON FILE N.LR7189A-259 (THIS CONNECTOR IS RECOGNIZED BY FILE N.E28476 AND CERTIFIED BY FILE N.LR7189A-259)

IL DISEGNO INDICA IL P.N. 182923-1
 (P.N. 182923-1 AS SHOWN)

				CUSTOMER DRAWING FOR REFERENCE ONLY		DISEGNO PER CLIENTE SOLO PER RIFERIMENTO	
				THIS DRAWING IS UNPUBLISHED		RELEASE FOR PUBLICATION 1991	
				© COPYRIGHT 19 BY AMP INCORPORATED, HARRISBURG, PA. ALL INTERNATIONAL RIGHT RESERVED. AMP PRODUCTS MAY BE COVERED BY U.S. AND FOREIGN PATENT AND/OR PATENT PENDING			
				TOLLERANZE: SE NON DIVERSAMENTE SPECIFICATO (TOLERANCES: UNLESS OTHERWISE SPECIFIED)		DIAM. ISOLANTE (INS. DIA. RANGE)	
				± 0.3		RANGO FILO (WIRE RANGE)	
				ANGOLI (ANGLES)		SCALA (SCALE)	
				± 2°		AMP AMP ITALIA Sp.A. Corso F.Lli Cervi, 15 COLLEGNO (TORINO)	
C2 UPDATED PRODUCT DESCRIPTION FOR ET00-0182-02				D.C. 29NOV 2002		DESCRIZIONE (DESCRIPTION)	
C1 REVISED ET00-0123-99				G.S. 01-06 99		C.P.C. PLUG ASS'Y FOR SOCKET CONTACTS, SIZE 23-37, STD. SEX	
C REVISED PER ECN-13230				C.C. 05-93		LOC. SIZE NUMERO (DWG NO)	
B REVISED CAVITY ID.N° POSITION ECN-13205				C.C. 01-93		REV. FOGLIO (SHEET)	
A RELEASED				C.C. 10-91		I A3 C - 182923 C2 1 DI (OF) 1	
REV. (REV. LTR.)				REVISIONI (REVISION RECORD)		APP. (APP.)	
				D15. DATA (DATE)			

DISTRIBUZIONE (PRINT DIST.)

单击下面可查看定价，库存，交付和生命周期等信息

[>>TE Connectivity\(泰科\)](#)