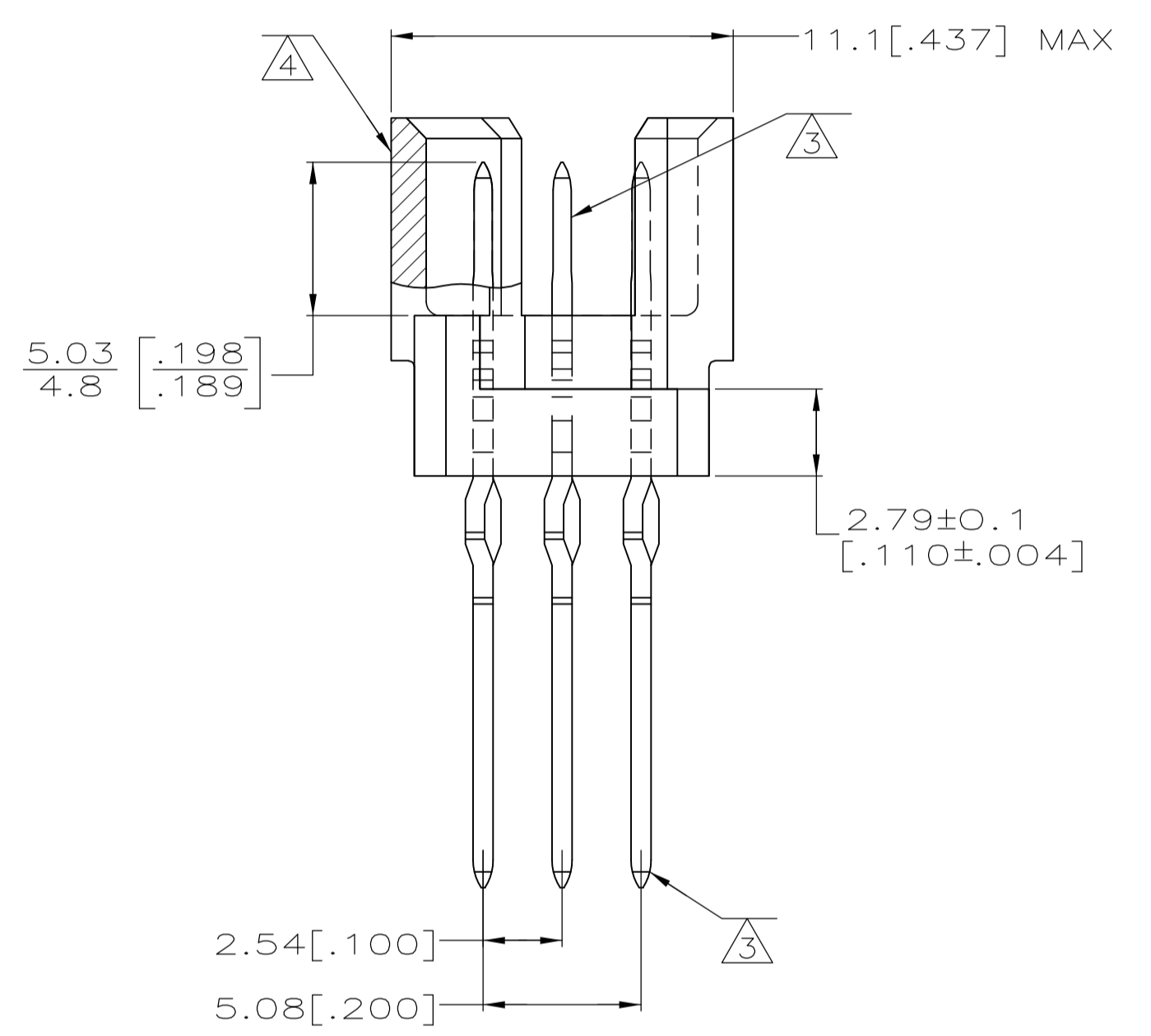


- 1 HOUSING MATERIAL: GLASS-FILLED POLYMER.
- 2 POST MATERIAL: COPPER ALLOY.
- 3 POST FINISH: DIN 41612 CLASS 2 IN CONTACT AREA. TIN PLATE ON POSTS.
- 4 MARKING ON THIS SIDE.
- 5 ACTION PIN POSTS REQUIRE 2.36[.093] MINIMUM THICK PC BOARD. RECOMMENDED PC BOARD HOLES ARE 1.151[.0453] DIA PLATED THROUGH WITH 0.02-0.08[.001-.003] COPPER AND 0.008[.0003] MINIMUM TIN-LEAD PLATING. FINISHED HOLE AFTER PLATING, 0.94-1.09[.037-.043] DIA.
- 6 PART NUMBER, DATE CODE MARKED THIS APPROXIMATE AREA.



1-50	X	X	X	150	5650923-5
POSITIONS LOADED	C	B	A	NO. OF LOADED POSITION	ASSY PART NUMBER
	ROWS LOADED				

THIS DRAWING IS A CONTROLLED DOCUMENT.

DIMENSIONS: mm [INCHES]	TOLERANCES UNLESS OTHERWISE SPECIFIED:	DIN J. POLIGNONE	OSMAYOS	 TE Connectivity
0 PLC ± -	1 PLC ± -	CIK A. SHARPE	OSMAYOS	
2 PLC ± -	3 PLC ± 0.13[.005]	APVD A. SHARPE	OSMAYOS	NAME
4 PLC ± -	ANGLES ± -	PRODUCT SPEC		ASSEMBLY, PIN, EUROCARD, TYPE R, 150 POSITION
MATERIAL	FINISH	APPLICATION SPEC		13.23[.521] PRESS-FIT POSTS
		SIZE	CAGE CODE	DRAWING NO
		WEIGHT	A1	00779
		CUSTOMER DRAWING	SCALE	5:1
			SHEET	1 OF 1
			REV	A

单击下面可查看定价，库存，交付和生命周期等信息

[>>TE Connectivity\(泰科\)](#)