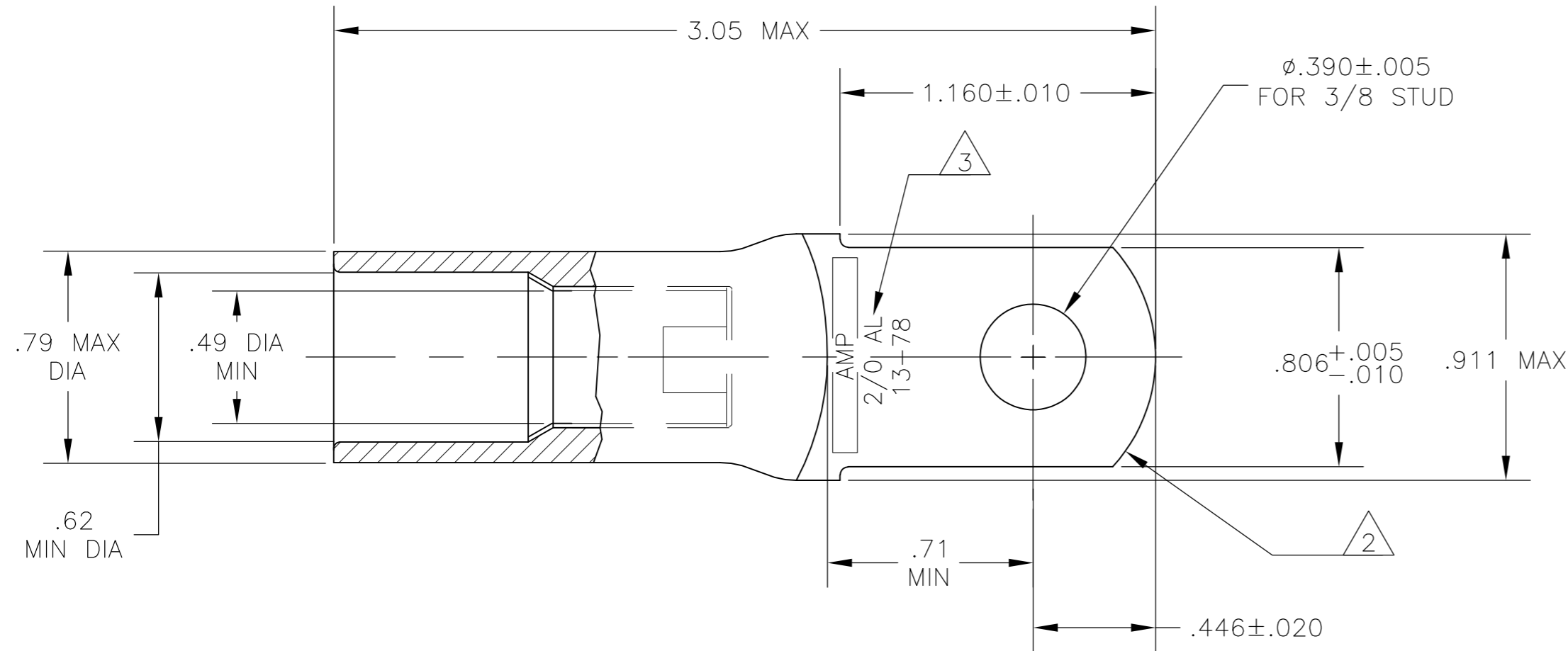
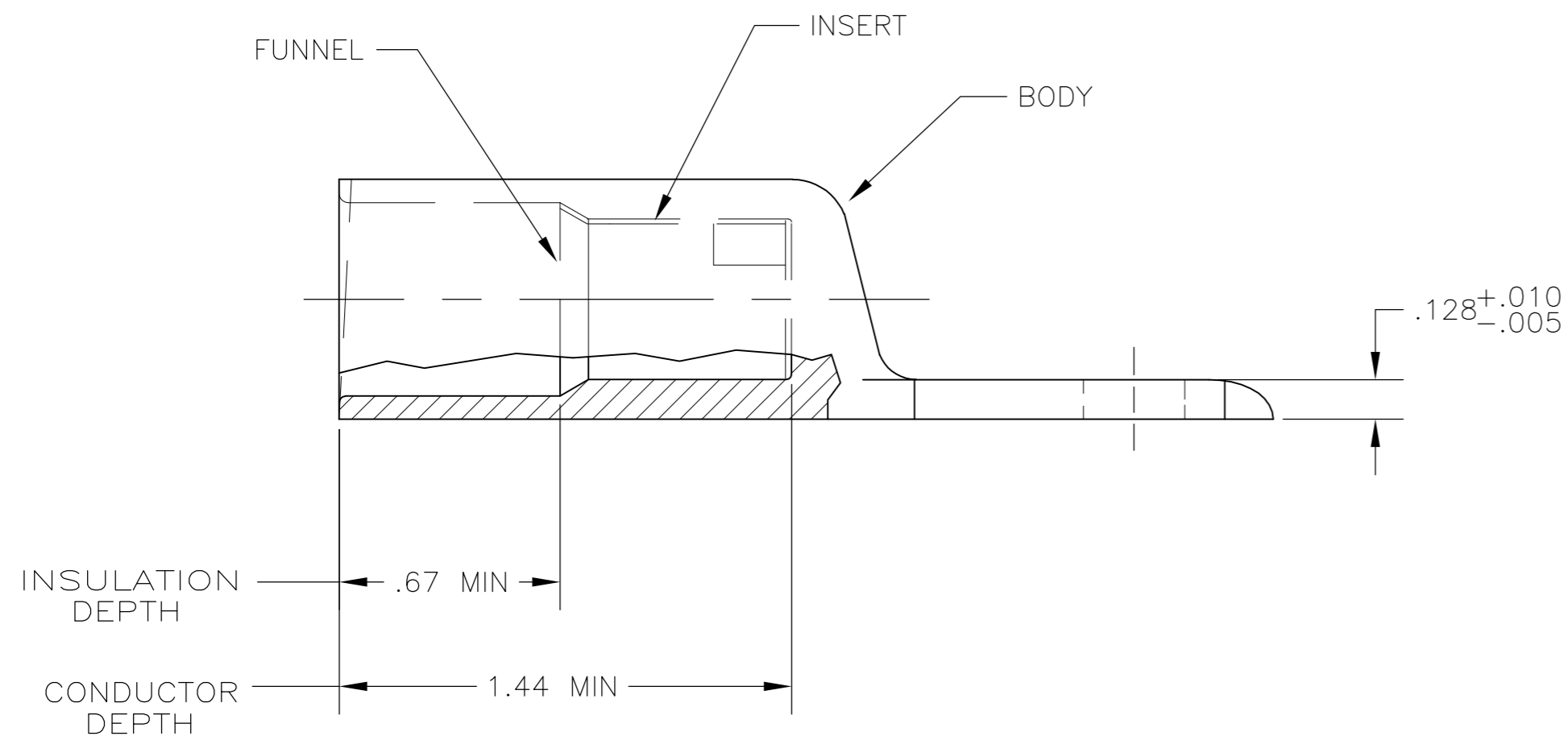


THIS DRAWING IS UNPUBLISHED. RELEASED FOR PUBLICATION
 © COPYRIGHT - By - ALL RIGHTS RESERVED.

LOC		DIST		REVISIONS			
P	LTR	DESCRIPTION	DATE	DWN	APVD		
	K	REV PER ECO	15-005109	24APR15	KG	PD	



- 1 WIRE INSULATION: .500—.574 DIA
- 2 THE TONGUE RADIUS FEATURE IS NOT A TOOLING CONTROLLED DIMENSION AND MAY NOT BE A TRUE RADIUS.
- 3 STAMP "AMP 2/0 AL 13-78" SIZE AND LOCATION APPROX AS SHOWN



BODY: COPPER ASTM-B187 ANNEALED TIN PL PER ASTM B-545 .000150 MIN THK	696878-1
INSERT & FUNNEL: BRASS ASTM B36 NICKEL PL SAE AMS QQ-N-290A, DATED JULY 2000, 0.00254 [.000100] MIN THK	
MATERIAL & FINISH	PART NO.

THIS DRAWING IS A CONTROLLED DOCUMENT.		DWN	JR RUTH	100CT05		TE Connectivity		
DIMENSIONS: MM [INCHES]		CHK	MJ SPICER	100CT05		NAME WIRE TERMINAL, RING, NARROW TONGUE SEALED COPALUM, WIRE SIZE: 2/0 ALUMINUM	RESTRICTED TO	
TOLERANCES UNLESS OTHERWISE SPECIFIED:		APVD	MJ SPICER	100CT05			SIZE	CAGE CODE
0 PLC ± - 1 PLC ± - 2 PLC ± - 3 PLC ± .008 4 PLC ± - ANGLES ± -		PRODUCT SPEC				SCALE	SHEET	REV
MATERIAL SEE TABLE		FINISH	SEE TABLE		WEIGHT	81 GRAMS	A2 00779	C=696878
		CUSTOMER DRAWING		SCALE	2:1	SHEET	1 of 1	REV
								K

单击下面可查看定价，库存，交付和生命周期等信息

[>>TE Connectivity\(泰科\)](#)