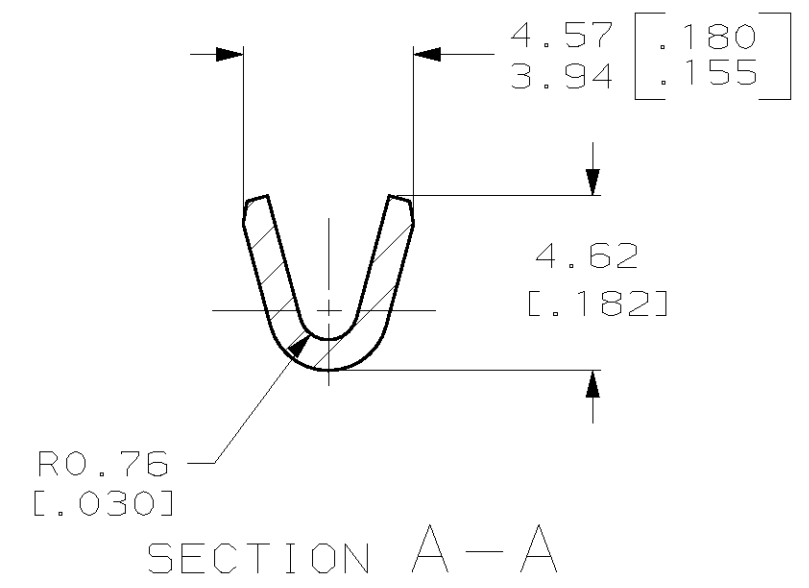
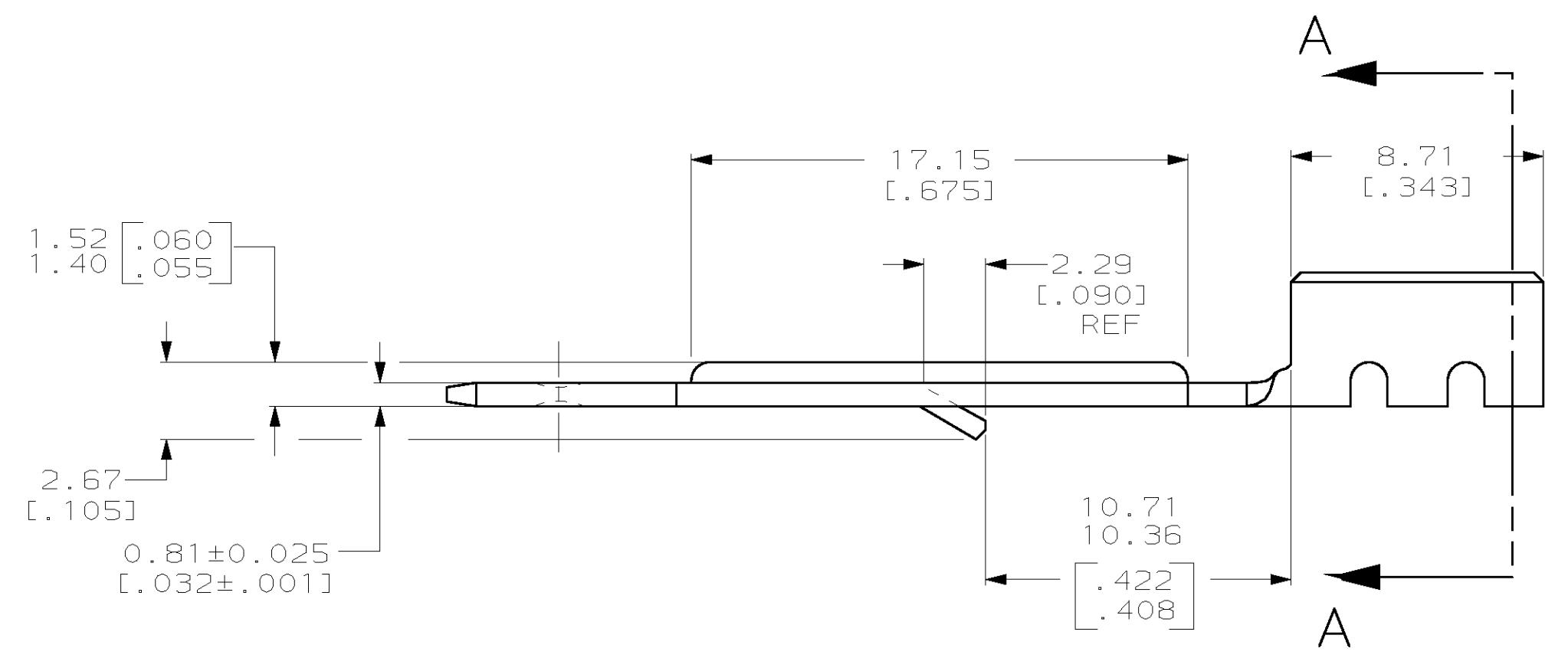
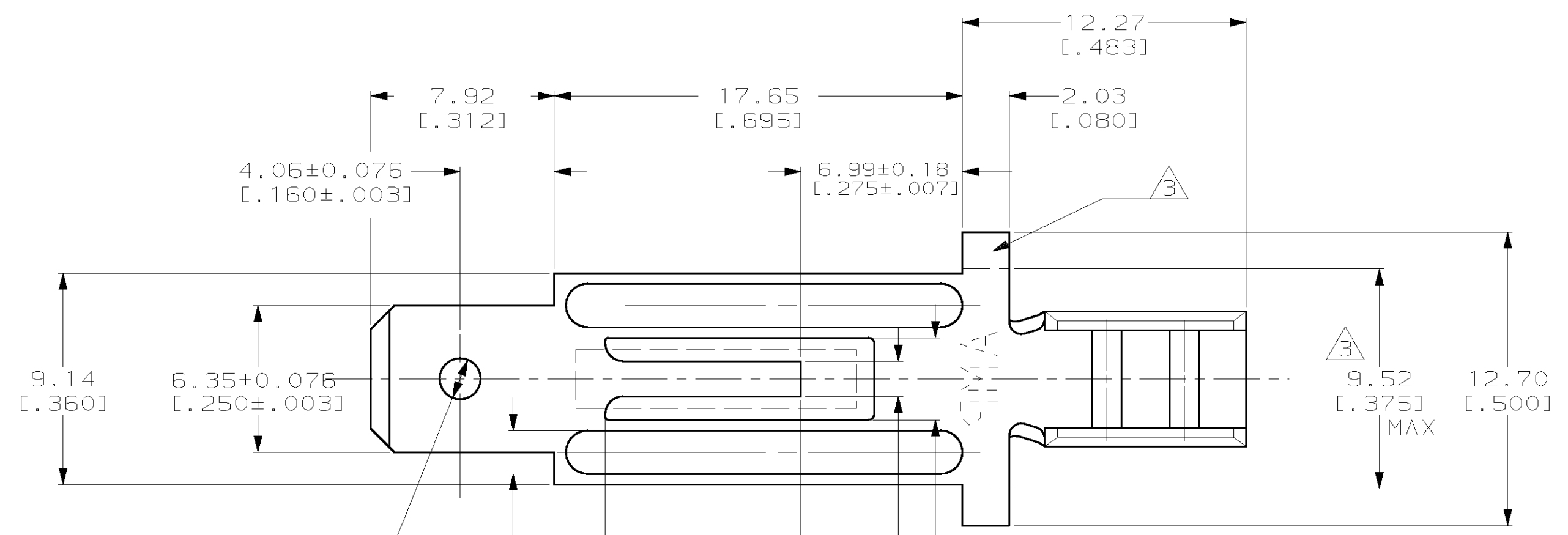


THIS DRAWING IS UNPUBLISHED. RELEASED FOR PUBLICATION  
 (C) COPYRIGHT 19 BY AMP INCORPORATED. ALL RIGHTS RESERVED.

LOC		DIST		REVISIONS			
P	LTR	DESCRIPTION	DATE	DWN	APVD		
AF	50	J		REDRAWN PER OG1A-0030-98	3/4/98	JR	JG

- 1 CONTINUOUS STRIP ON REELS
- 2 SEE DRAWING CP80-8238 FOR SUGGESTED CERAMIC DIMENSIONS.
- 3 EARS MAY BE CUT-OFF USING SPECIAL APPLICATOR AND SHEAR TOOLING AT OPTION OF CUSTOMER.



63104-1  
PART NO.

THIS DRAWING IS A CONTROLLED DOCUMENT.		DWN	JR RUTH	3/4/98	AMP Incorporated Harrisburg, PA 17105-3608	
DIMENSIONS: MM (INCHES)		CHK	MS FEHER	3/4/98		
TOLERANCES UNLESS OTHERWISE SPECIFIED: 0 PLC ±- 1 PLC ±- 2 PLC ±0.3B [.015] 3 PLC ±- 4 PLC ±- ANGLES ±-		APVD	J GILLESPIE	3/4/98		
		PRODUCT SPEC		NAME		
MATERIAL	T2 C.R. STEEL	FINISH	NICKEL	WEIGHT	-	
CUSTOMER DRAWING		SCALE	5:1	SHEET	1 OF 1	
SIZE		A2	CAGE CODE	00779	DRAWING NO	63104
RESTRICTED TO		-				
REV		J				

单击下面可查看定价，库存，交付和生命周期等信息

[>>TE Connectivity\(泰科\)](#)