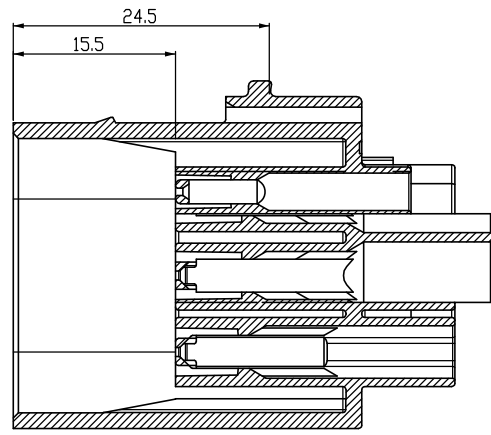
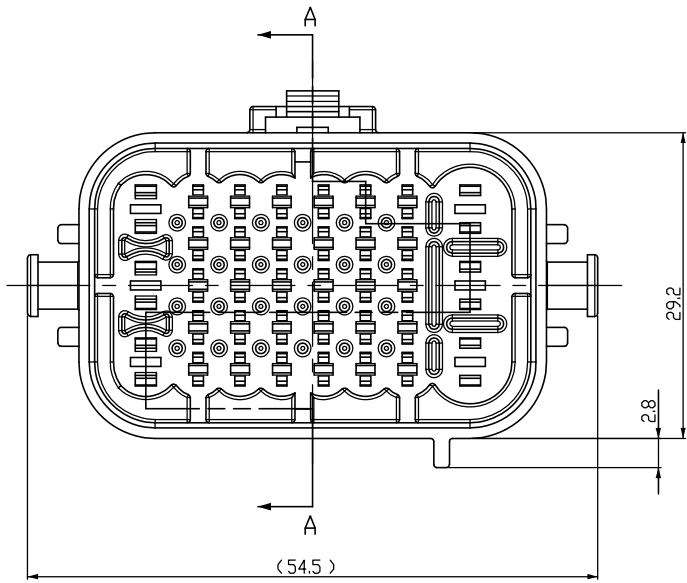
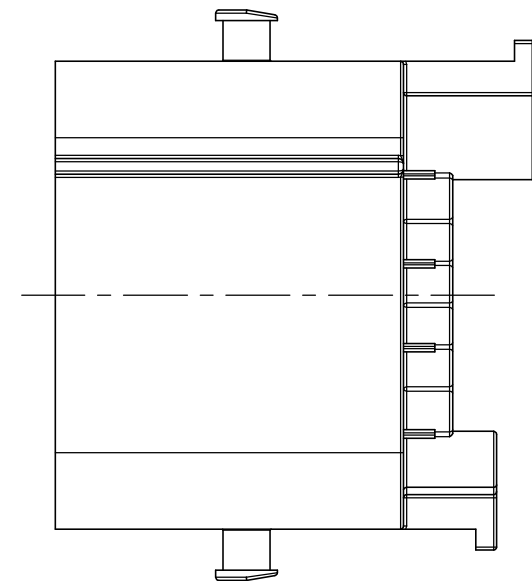
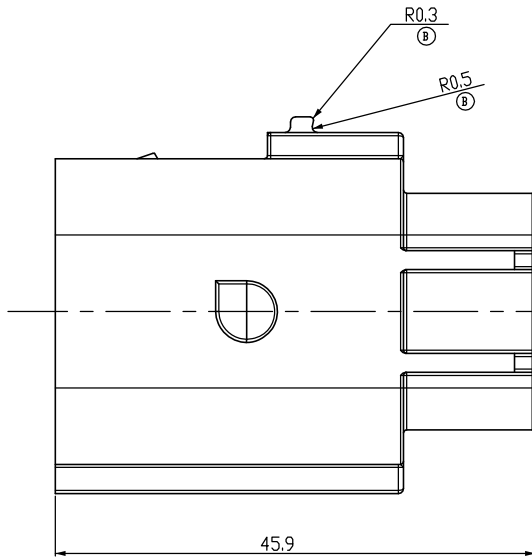
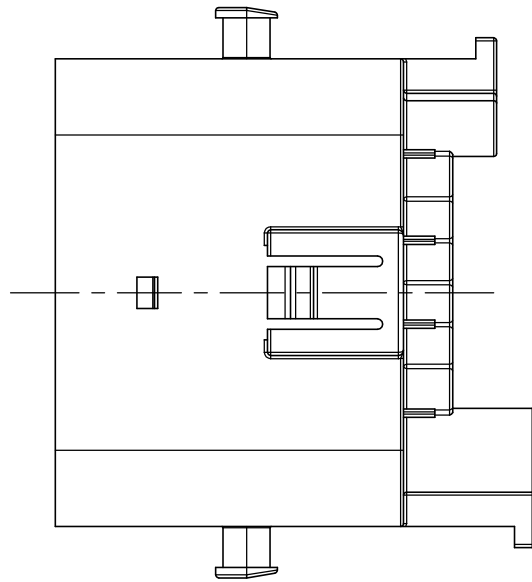


THIS DRAWING IS UNPUBLISHED. RELEASED FOR PUBLICATION
 © COPYRIGHT BY TYCO ELECTRONICS CORPORATION. ALL RIGHTS RESERVED.

LOC	DIST	REVISIONS					
		P	LTR	DESCRIPTION	DATE	DWN	APVD
		C		REVISED (ECR-10-024983)	07/DEC/10	SJ	HG

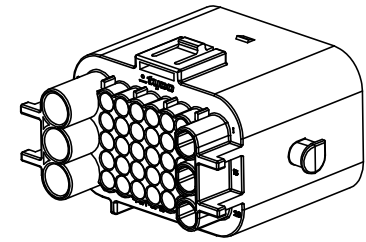
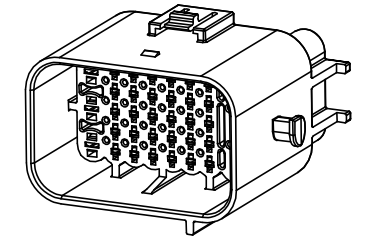


SECTION A-A

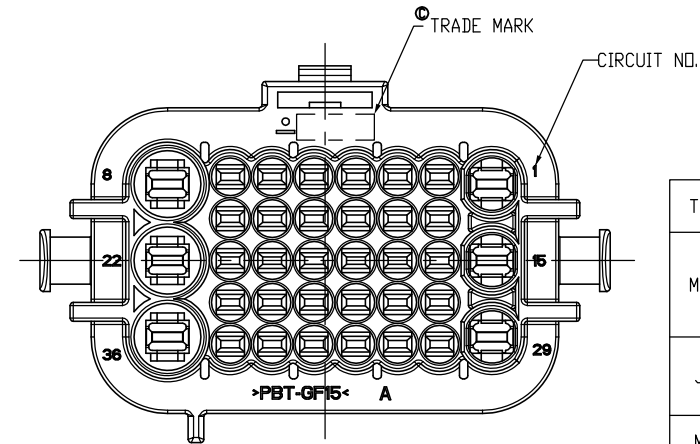


<TABLE 1>

TYPE	PART NO.	WIRE SIZE(mm²)	Insulation DIA(mm)	Applicable WIRE	FINISH
MTII	0-963902-1	0.2~0.5	1.15~1.6	AVSSXF 0.5 Max	CuSn4
	0-963902-3				CuSn4(GOLD)
	0-963904-1	0.5~1.0	1.4~2.1	AVSSXF 0.85 Max	CuSn4
	0-963904-3				CuSn4(GOLD)
JPT	1-962915-1	0.5~1.0	2.1 Max	AVSSXF 0.85 Max	CuSn4
	1-962915-3				CuSn4(GOLD)
	1-962916-1	1.5~2.5	3.0 Max	AVSS 2.0 Max or FLR 2.5 Max	CuSn4
	1-962916-3				CuSn4(GOLD)
MCP	1-968947-1	2.5~4.0	3.7 Max	AEXF 3.0 Max or FLR 4.0 Max	CuSn4



ISOMETRIC VIEW



<TABLE 2>

TYPE	WIRE SIZE(mm²)	PART NO.	WIRE INSULATION DIAMETER(mm)	COLOR
MTII	0.35~0.5	964971-1	1.2~1.6	RED
	0.5~0.75	963530-1	1.4~1.9	GRAY
	1.0	964972-1	1.9~2.1	YELLOW
		963531-1	CAVITY PLUG	WHITE
JPT	0.35~1.0	828904-2	1.2~2.1	BLUE
	1.5~2.5	828905-1	2.2~3.0	WHITE
		828922-1	CAVITY PLUG	NATURAL
MCP	2.5~4.0	828985-1	3.0~3.7	GREEN
		828986-1	CAVITY PLUG	BROWN

NOTE
 1. GENERAL TOLERANCE: ±0.3, ±3°
 2. DELIVERY CONDITION
 3. APPLIED PLUG P/N: X-1743632-X
 APPLIED WIRE COVER P/N: X-1743638-X
 4. APPLICABLE TAB CONTACT P/N: TABLE 1
 5. APPLICABLE WIRE SEAL P/N: TABLE 2

CAP HSG	1743636-2	PBT-GF15	BLACK
DESCRIPTION	P/N	MATERIAL	COLOR

THIS DRAWING IS A CONTROLLED DOCUMENT FOR TYCO ELECTRONICS CORPORATION. IT IS SUBJECT TO CHANGE AND THE CONTROLLING ENGINEERING ORGANIZATION SHOULD BE CONTACTED FOR THE LATEST REVISION.

DIMENSIONS: MM

TOLERANCES UNLESS OTHERWISE SPECIFIED:
 0 PLC ±
 1 PLC ±
 2 PLC ±
 3 PLC ±
 4 PLC ±
 ANGLES ±

3rd ANGLE PROJECTION

MATERIAL SEE TABLE

FINISH

DWN SJ 041
 CHK JW JUNG
 APVD HG 040
 PRODUCT SPEC
 APPLICATION SPEC
 WEIGHT

NAME: CAP HSG FOR MTII/JPT/MCP SEALED 36P CONN'R

SIZE: A2 CAGE CODE: 00779 DRAWING NO: 1743636 RESTRICTED TO: C

SCALE: 2:1 SHEET: 1 OF 1 REV: C

CUSTOMER DRAWING

Tyco Electronics kyungsan, korea

单击下面可查看定价，库存，交付和生命周期等信息

[>>TE Connectivity\(泰科\)](#)