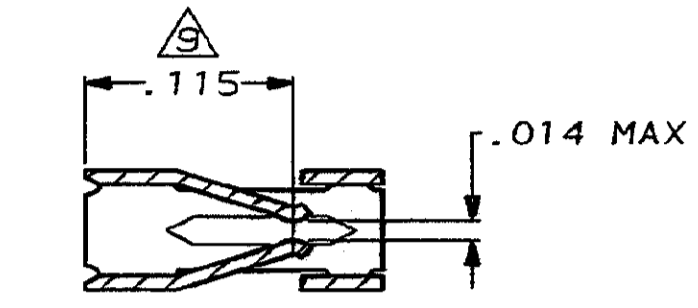
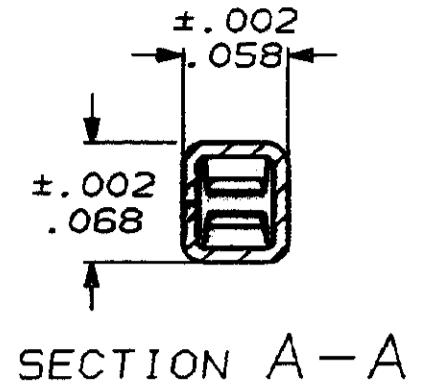
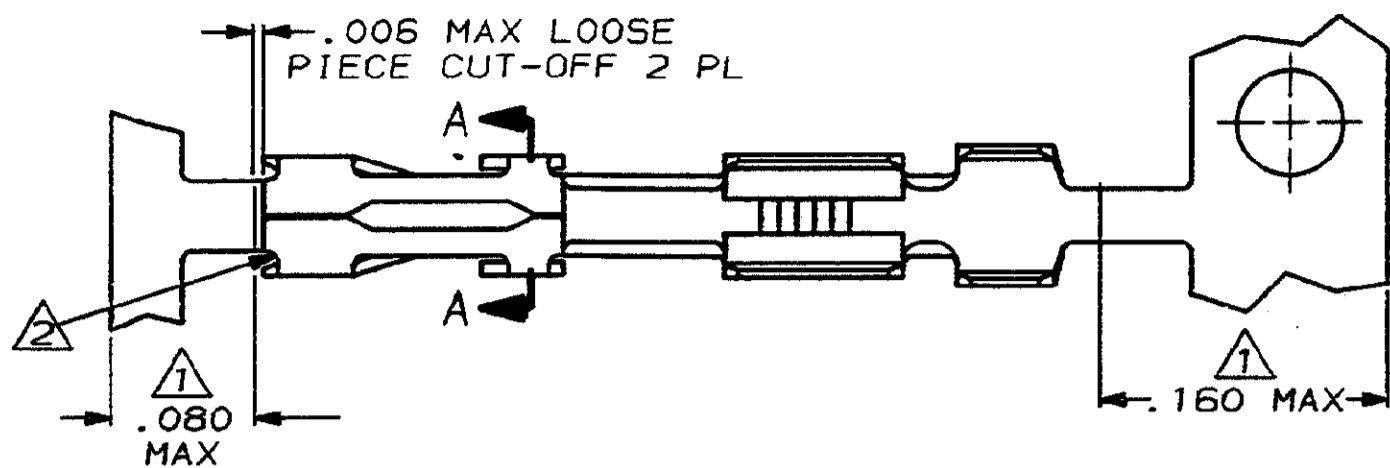


DRAWING MADE IN THIRD ANGLE PROJECTION

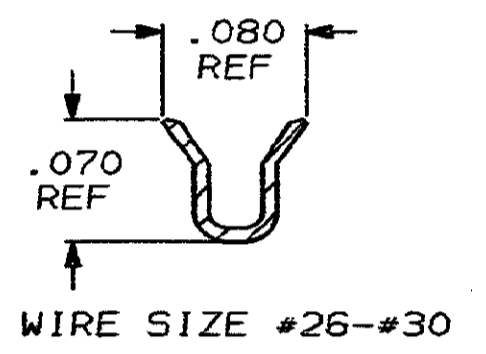
THIS DRAWING IS UNPUBLISHED. RELEASED FOR PUBLICATION, 19
 © COPYRIGHT 19 BY AMP INCORPORATED, HARRISBURG, PA. ALL INTERNATIONAL RIGHTS RESERVED. AMP PRODUCTS MAY BE COVERED BY U.S. AND FOREIGN PATENTS AND/OR PATENTS PENDING.

MOD 30 LOC AD DIST 39 P F

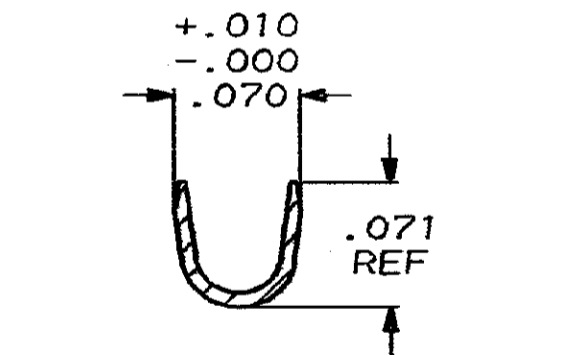
REVISIONS					
ZONE	LTR	DESCRIPTION	DATE	APPROVED	
E		REVISED AND REDRAWN ECN 893	-		
F		REVISED ECN 950	LM 2-7-86	JLG	
F1		REVISED ECN 1041	5-1-86		
F2		OBSOLETE ECN 1821	LDR 2-22-88	JLG	
G		REV ECN AR2029 AR2120	OK 9-27-88	JLG	
H		REV PER ECN AR2491	JPG 6-8-89		
J		REV LOC & DIST AD-4171	3-90	BF	



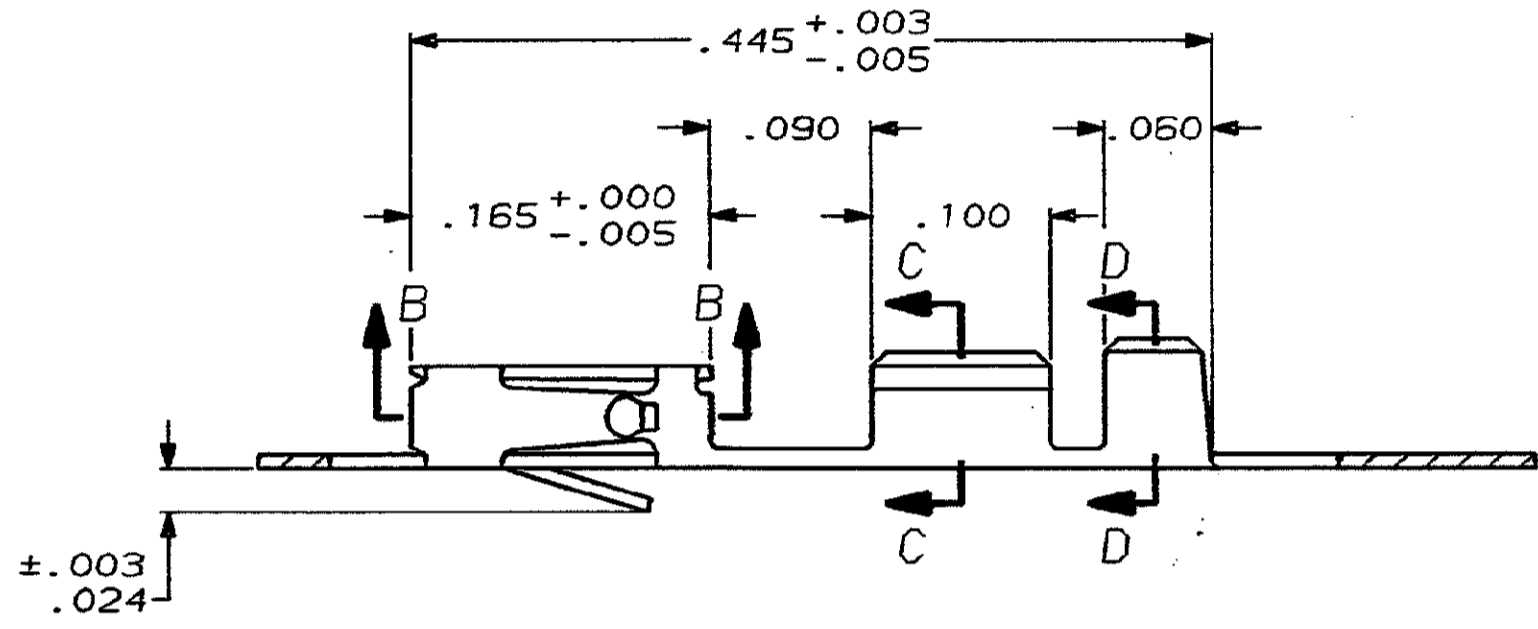
SECTION B-B



SECTION C-C



SECTION D-D



- ① GOLD PLATING IS NOT REQUIRED IN THIS AREA.
- ② CUT-OUTS ON THE BOX ARE AT MANUFACTURERS OPTION.
- ③ THIS TERMINAL IS REELED FOR THE STANDARD APPLICATOR.
- ④ THIS TERMINAL IS REELED FOR THE MINI APPLICATOR.
- ⑤ .000015 GOLD ON THE CONTACT AREA, GOLD FLASH ON THE REMAINDER ALL OVER .000050 NICKEL.
- ⑥ .000030 GOLD OVER .000050 NICKEL.
- ⑦ .000030 GOLD ON THE CONTACT AREA, GOLD FLASH ON THE REMAINDER ALL OVER .000050 NICKEL.
- ⑧ .000100-.000200 BRIGHT TIN-LEAD OVER .000050 NICKEL.
- ⑨ POINT OF MEASUREMENT FOR PLATING THICKNESS (INSIDE BEAMS).
- ⑩ OBSOLETE PART NUMBER.

REMARKS	FINISH	LOOSE PIECE PART NUMBER	PART NUMBER
④	⑧	⑩ -4	1- ⑩ -1
③	⑧	⑩ -4	1- ⑩ -0
④	⑦	87045-3	86491-6
④	⑥	87045-2	86491-4
③	⑥	87045-2	⑩ -3
④	⑤	87045-1	86491-2
③	⑤	87045-1	⑩ -1

UNLESS OTHERWISE SPECIFIED DIMENSIONS ARE IN INCHES TOLERANCES ON: 2 PL DEC ± 3 PL DEC ±.005 ANGLES ±	DR 12-10-85 L.D.RINGLEY	AMP AMP INCORPORATED Harrisburg, Pa. 17105	
	CHK 12-16-85 J.L.GESFORD		
MATERIAL: BERYLLIUM COPPER, .008 THICK	APPD 12-16-85 J.L.GESFORD	NAME CONTACT, MOD IV 1/2, RECEPTACLE, CRIMP SNAP-IN	
	APPD 12-16-85 CLIFFORD LINDGREN		
FINISH: SEE TABLE	PRODUCT SPEC 108-25,021	SIZE C	FSCM NO 00779
	APPLICATION SPEC 114-25,003	DRAWING NO 86491	
WEIGHT		SCALE NTS	SHEET 1 - 1

单击下面可查看定价，库存，交付和生命周期等信息

[>>TE Connectivity\(泰科\)](#)