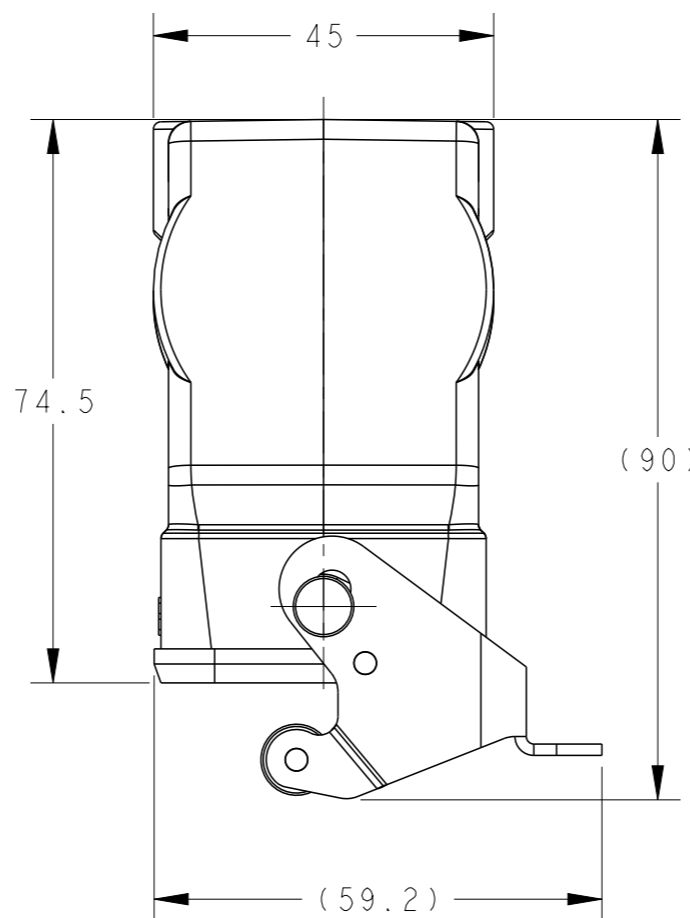
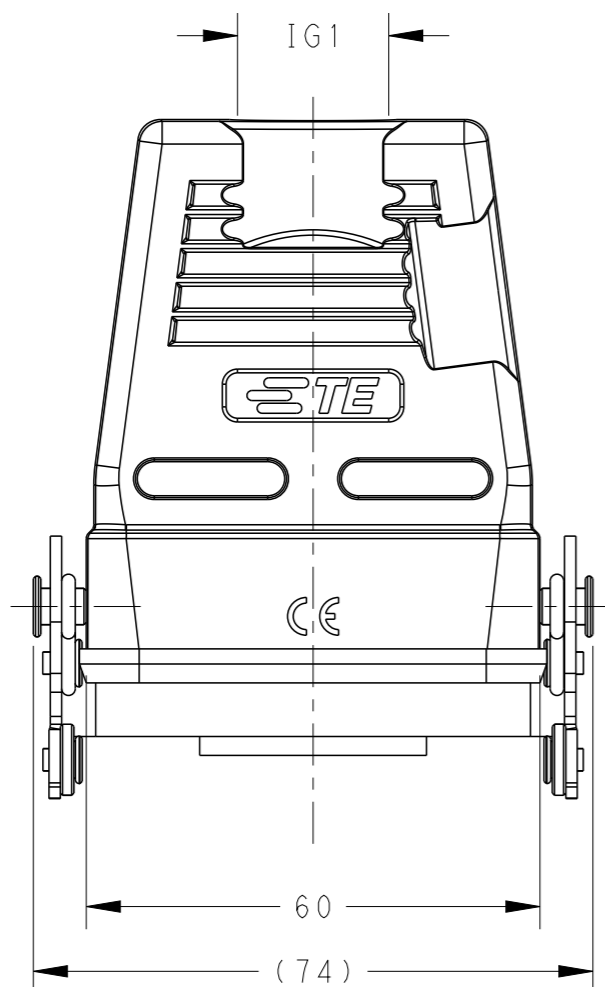


THIS DRAWING IS UNPUBLISHED. RELEASED FOR PUBLICATION 20
 © COPYRIGHT 20 BY - ALL RIGHTS RESERVED.

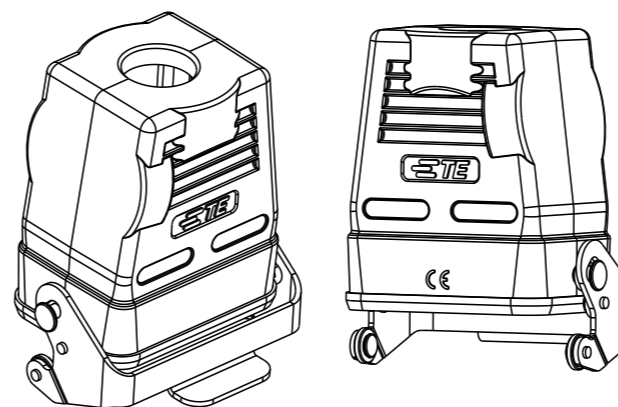
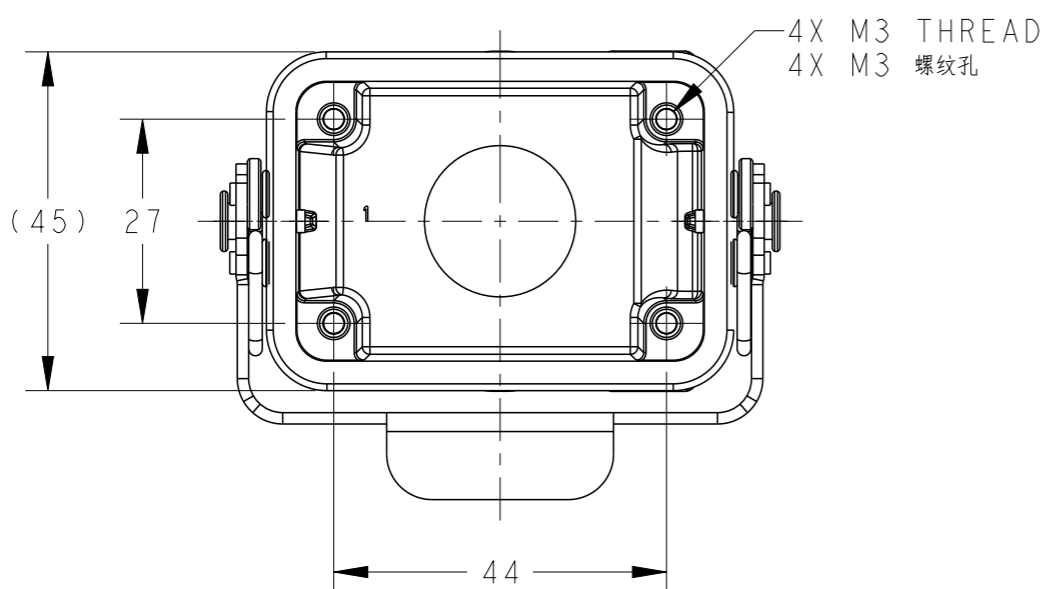
REVISIONS

P	LTR	DESCRIPTION	DATE	DWN	APVD
	A	INITIAL	23JUN2015	DW	CW
	A1	ECR-15-012067	10AUG2015	DW	CW
	B	ECR-20-007968	22JUN2020	WQR	CW



NOTES:
 1. TECHNICAL CHARACTERISTICS:
 HOOD MATERIAL: DIE CAST ALUMINIUM ALLOY
 SURFACE: POWDER COATED, GREY
 DEGREE OF PROTECTION: IP65 (MATED)

注释:
 1. 技术参数:
 电缆对接下壳材料: 铝合金
 表面处理: 粉末涂层, 灰色
 防护等级: IP65(配合)



SCALE 1:2

T1770062120-000	H6B-TBFHS-M20	M20
T1770062121-000	H6B-TBFHS-PG21	PG21
T1770062125-000	H6B-TBFHS-M25	M25
T1770062129-000	H6B-TBFHS-PG29	PG29
T1770062132-000	H6B-TBFHS-M32	M32
PART NUMBER	DESCRIPTION	IG1

DIMENSIONS:		TOLERANCES UNLESS OTHERWISE SPECIFIED:		DWN 23JUN2015		APVD 23JUN2015		NAME			
mm		0 PLC	±-	David Wang		Chris Wang		H6B-TBFHS-M/PG			
		1 PLC	±-	CHK 23JUN2015		Xiang Xu		PRODUCT SPEC			
		2 PLC	±-					108-137013			
		3 PLC	±-					APPLICATION SPEC			
		4 PLC	±-					114-137013			
		ANGLES	±-					WEIGHT			
		FINISH	±-					-			
MATERIAL								Customer Drawing			
								SIZE	CAGE CODE	DRAWING NO	RESTRICTED TO
								A3	00779	©-T17700621XX000	-
								SCALE	SHEET	OF	REV
								1:1	1	1	B

单击下面可查看定价，库存，交付和生命周期等信息

[>>TE Connectivity\(泰科\)](#)