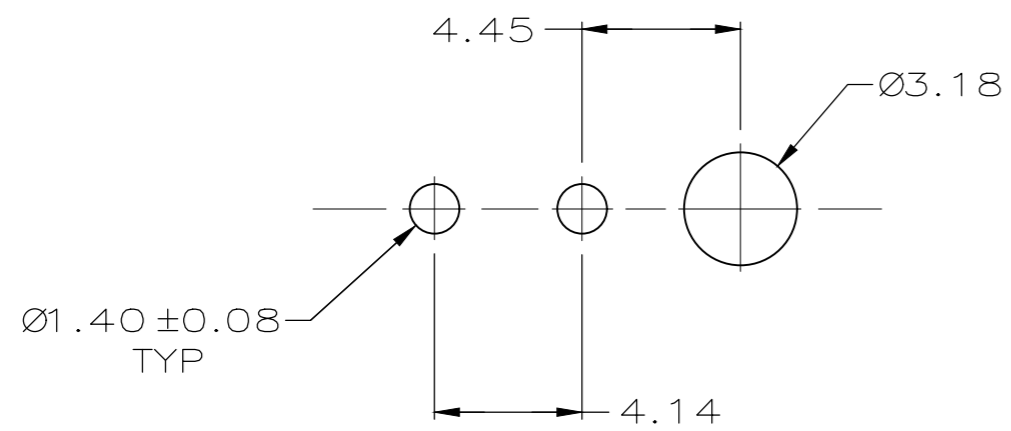
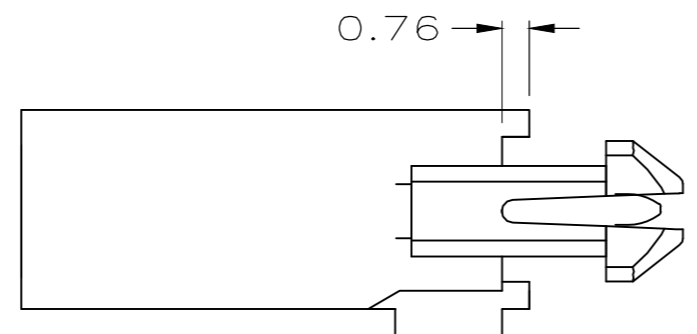
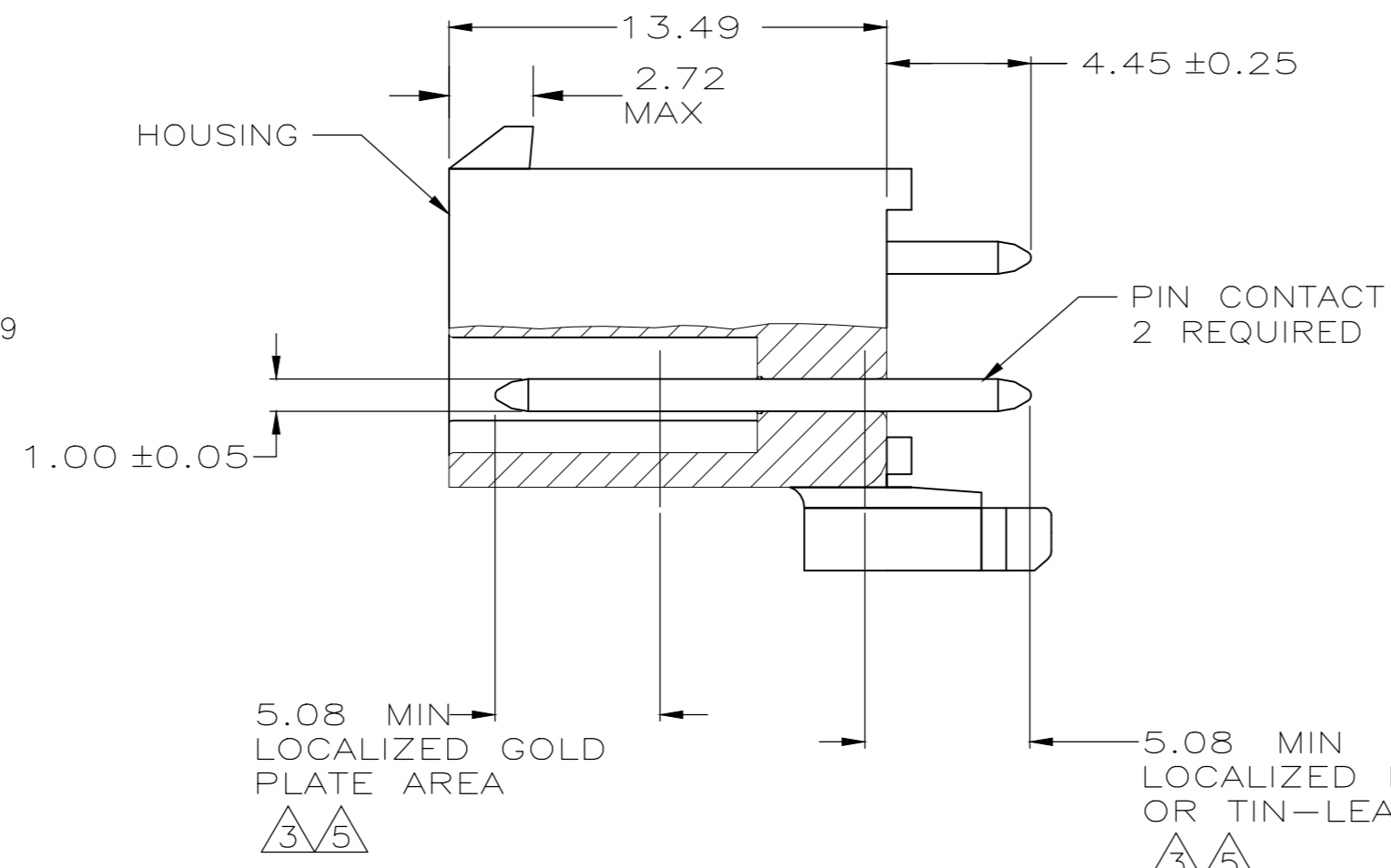
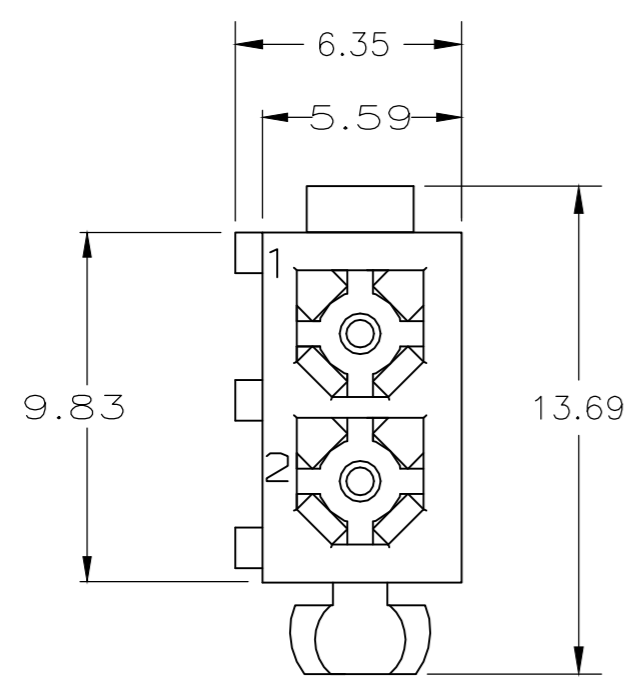


LOC		DIST		REVISIONS			
P	LTR	DESCRIPTION	DATE	DWN	APVD		
CM	0	M2	REVISED PER ECR-20-100462	21SEP2020	BDA SW		



RECOMMENDED LAYOUT FOR 1.57 THICK BOARD  
 TOLERANCES NON-ACCUMULATIVE

- PINS TO COMPLY WITH AMP SOLDERABILITY SPEC. 109-11-3.
- 0.00381 MIN MATTE TIN LEAD PLATE OVER 0.00127 MIN NICKEL.
- 0.00076 MIN GOLD PLATE IN THE LOCALIZED PLATE AREA, 0.00381 MATTE TIN LEAD IN THE LOCALIZED PLATE AREA, BOTH OVER 0.00127 MIN NICKEL.
- 0.00381 MIN MATTE TIN PLATE OVER 0.00127 MIN NICKEL.
- 0.00076 MIN GOLD PLATE IN THE LOCALIZED PLATE AREA, 0.00381 MATTE TIN IN THE LOCALIZED PLATE AREA, BOTH OVER 0.00127 MIN NICKEL.

MATERIAL	FINISH	MATERIAL	COLOR	PART NO.
BRASS, GOLD	5	NYLON, UL94V-0	WHITE	1-770166-1
BRASS, TIN	4	NYLON, UL94V-0	WHITE	1-770166-0
BRASS, GOLD	3	NYLON, UL94V-0	WHITE	770166-2
BRASS, TIN-LEAD	2	NYLON, UL94V-0	WHITE	770166-1

THIS DRAWING IS A CONTROLLED DOCUMENT.

DWN S CARPENTER 08JUN05	TE Connectivity		
CHK R JONES 28JUL2003	NAME		
APVD R JONES 28JUL2003	PRODUCT SPEC		
APPLICATION SPEC	SIZE	CAGE CODE	DRAWING NO
WEIGHT	A2	00779	770166
MATERIAL	FINISH	RESTRICTED TO	REV
-	-	-	M2

CUSTOMER DRAWING SCALE 5:1 SHEET 1 of 1

单击下面可查看定价，库存，交付和生命周期等信息

[>>TE Connectivity\(泰科\)](#)