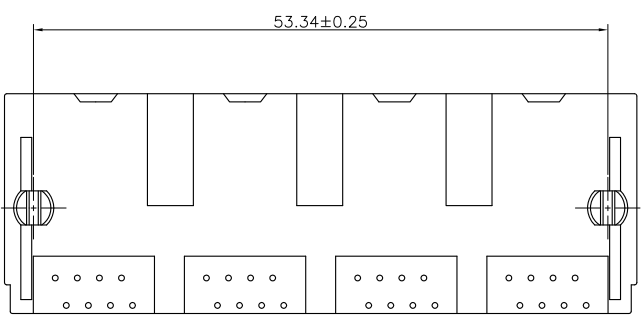
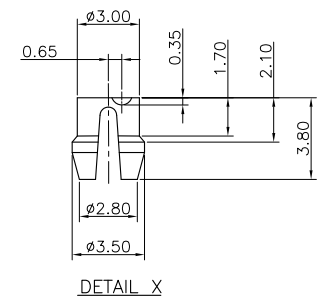
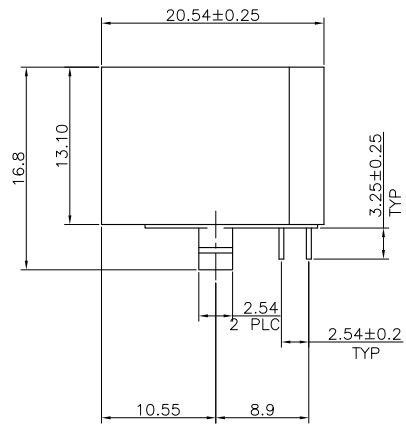
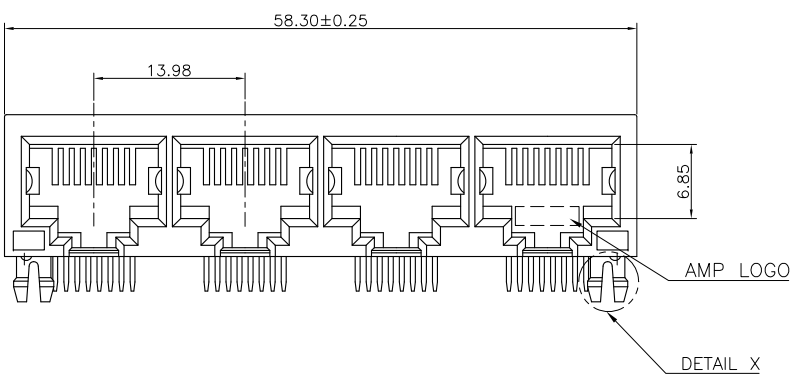




THIS DRAWING IS UNPUBLISHED. RELEASED FOR PUBLICATION  
 © COPYRIGHT 2011 BY TYCO ELECTRONICS CORPORATION. ALL RIGHTS RESERVED.

LOC DW	DIST	REVISIONS			
P	LTR	DESCRIPTION	DATE	DWN	APVD
		SEE SHEET 1.			

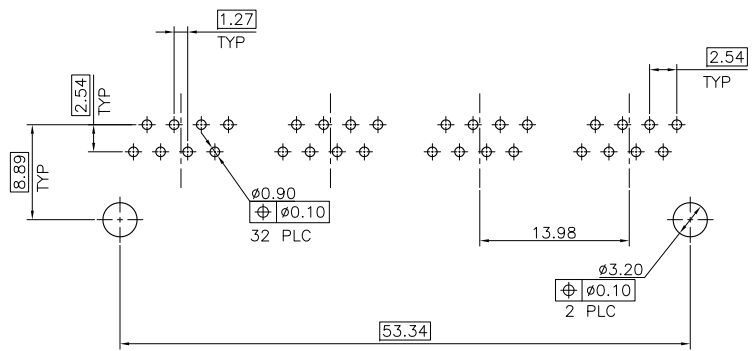


NOTE:

- MATERIAL:  
HOUSING: PBT WITH 30% GF, UL 94V-0, COLOR: SEE TABLE.  
CONTACTS: PHOSPHOR BRONZE.
- FINISH:  
CONTACTS: GOLD PLATED (SEE TABLE) ON CONTACT AREA,  
1.27µm [50µ"] MIN. NICKEL UNDERPLATED ALL OVER.
- WAVE SOLDER CAPABLE TO 240°C PER TYCO TEST SPEC.  
109-202, CONDITION A.

OBSOLETE	YELLOW (PMS 114C)	50µ"	<del>1734460-8</del>
		30µ"	<del>1734460-7</del>
		15µ"	<del>1734460-6</del>
		6µ"	<del>1734460-5</del>
	BLACK	50µ"	<del>1734460-4</del>
		30µ"	<del>1734460-3</del>
		15µ"	<del>1734460-2</del>
		6µ"	<del>1734460-1</del>
HSG. COLOR	MIN. GOLD THICKNESS	PART NUMBER	

" WITHOUT SHELL "

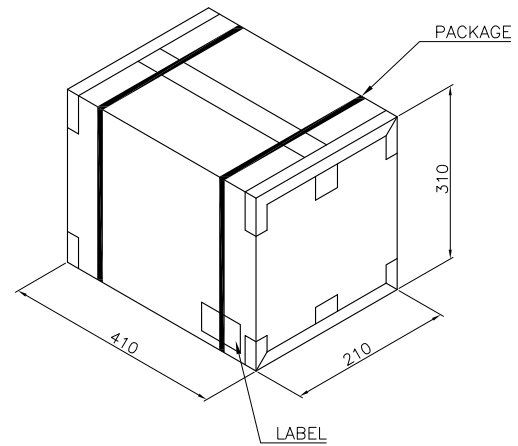
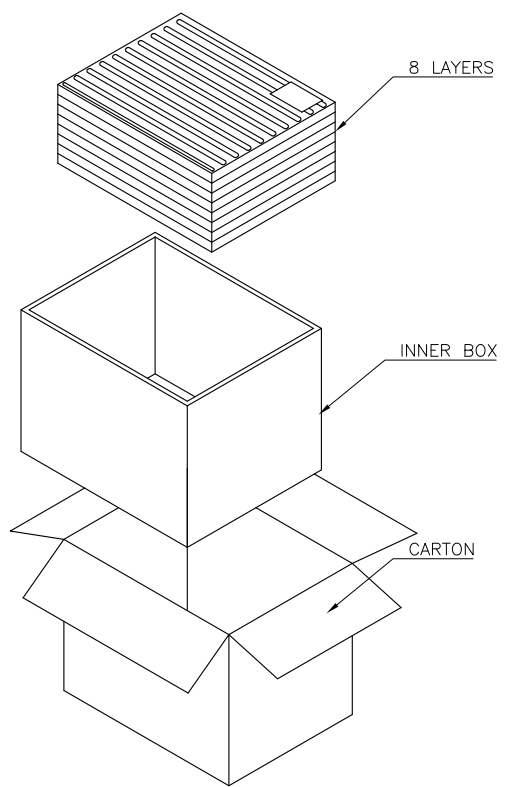
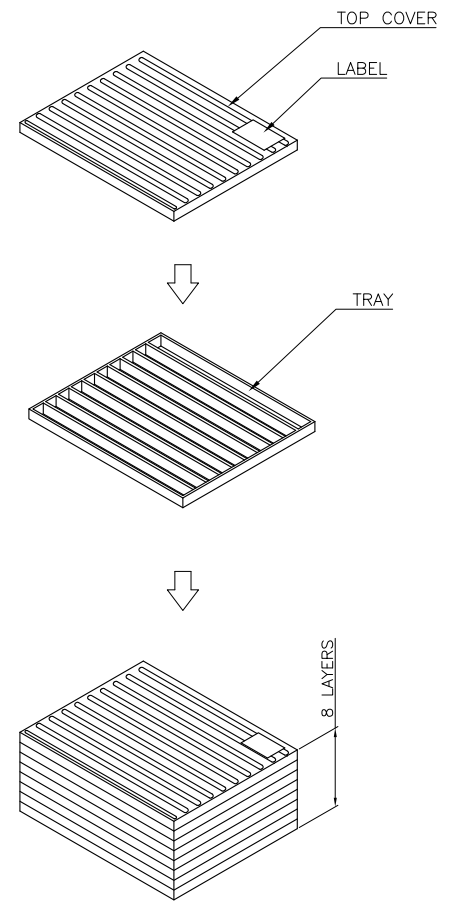


RECOMMENDED PCB LAYOUT (THICKNESS: 1.6mm)  
 (TOP VIEW) (TOLERANCE: ±0.05)

THIS DRAWING IS A CONTROLLED DOCUMENT.		DWN	TE Connectivity		
DIMENSIONS: mm		CHK	NAME		
TOLERANCES UNLESS OTHERWISE SPECIFIED:		APVD	MODULAR JACK RJ45, MULTI-PORT SHIELDED, THUR-HOLE, RIGHT ANGLE		
0 PLC ± 0.50 1 PLC ± 0.38 2 PLC ± 0.25 3 PLC ± 0.1 4 PLC ± - ANGLES ± - ± 3°		PRODUCT SPEC	SIZE	CAGE CODE	DRAWING NO
MATERIAL		APPLICATION SPEC	A3	00779	C=1734460
FINISH		WEIGHT	RESTRICTED TO		
		CUSTOMER DRAWING	SCALE	SHEET	REV
				2 of 4	D

THIS DRAWING IS UNPUBLISHED. RELEASED FOR PUBLICATION  
 © COPYRIGHT 2011 BY TYCO ELECTRONICS CORPORATION. ALL RIGHTS RESERVED.

LOC	DIST	REVISIONS					
DW		P	LTR	DESCRIPTION	DATE	DWN	APVD
				SEE SHEET 1.			



10 Kg	8 Kg	60	8	480 PCS	1-1734460-X
13 Kg	11 Kg	60	8	480 PCS	2-1734460-X
					1734460-X
GROSS WEIGHT	NET WEIGHT	PCS/TRAY	TRAYS /CARTON	QUANTITY	PART NUMBER

THIS DRAWING IS A CONTROLLED DOCUMENT.

DIMENSIONS: mm	TOLERANCES UNLESS OTHERWISE SPECIFIED: 0 PLC ± - 1 PLC ± 0.3 2 PLC ± 0.2 3 PLC ± 0.15 4 PLC ± - ANGLES ± 3'	DWN	-
		CHK	-
		APVD	-
MATERIAL	FINISH	PRODUCT SPEC	-
		APPLICATION SPEC	-
		WEIGHT	-
		CUSTOMER DRAWING	-

**STE** TE Connectivity

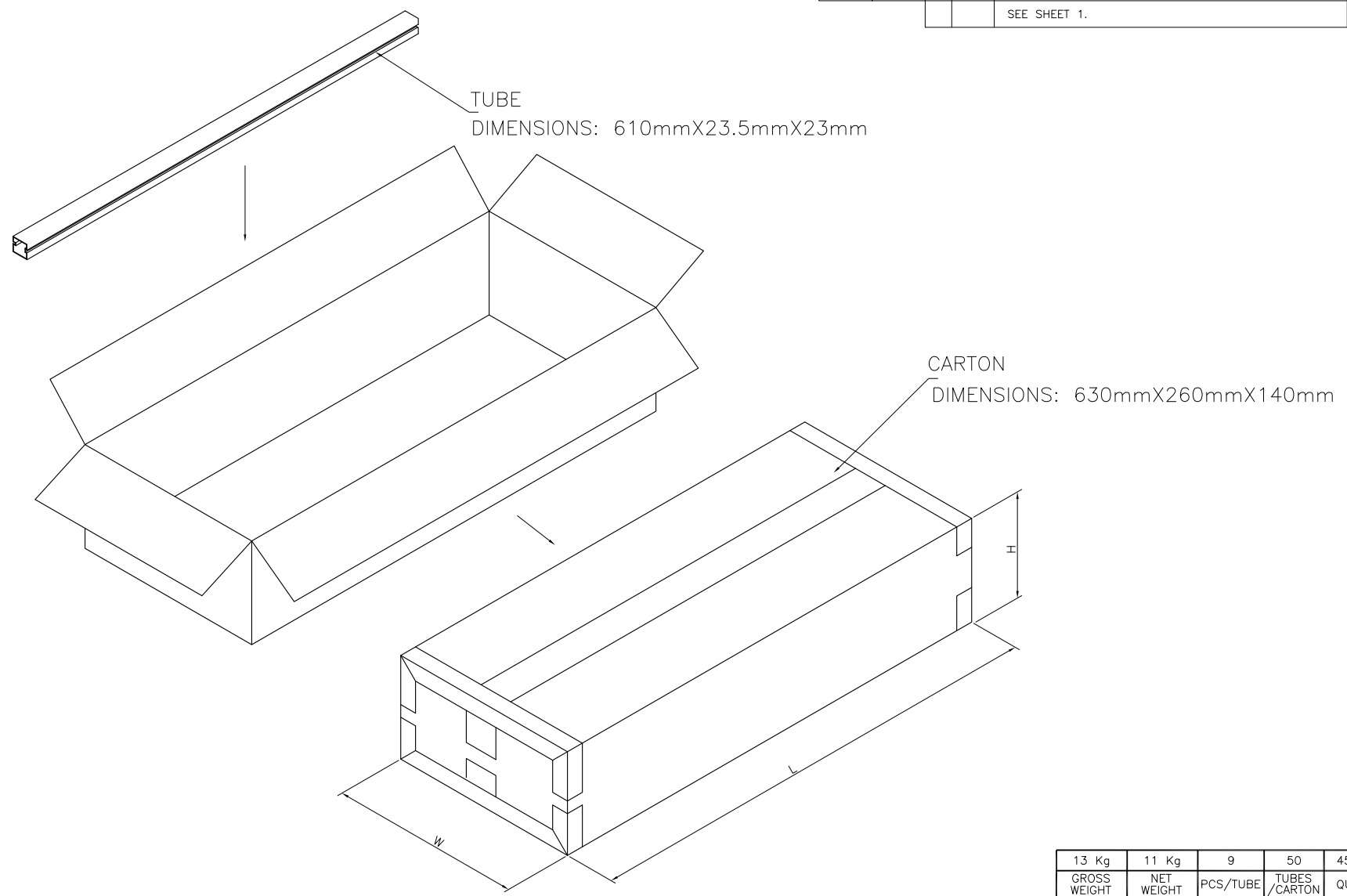
NAME: MODULAR JACK RJ45, MULTI-PORT SHIELDED, THUR-HOLE, RIGHT ANGLE

SIZE	CAGE CODE	DRAWING NO	RESTRICTED TO
A3	00779	C=1734460	-

SCALE: - SHEET: 3 of 4 REV: D

THIS DRAWING IS UNPUBLISHED. RELEASED FOR PUBLICATION  
 © COPYRIGHT 2011 BY TYCO ELECTRONICS CORPORATION. ALL RIGHTS RESERVED.

LOC	DIST	REVISIONS					
DW		P	LTR	DESCRIPTION	DATE	DWN	APVD
				SEE SHEET 1.			



13 Kg	11 Kg	9	50	450 PCS	3-1734460-X
GROSS WEIGHT	NET WEIGHT	PCS/TUBE	TUBES /CARTON	QUANTITY	PART NUMBER

THIS DRAWING IS A CONTROLLED DOCUMENT.		DWN			
DIMENSIONS: mm		CHK			
TOLERANCES UNLESS OTHERWISE SPECIFIED:		APVD	NAME		
0 PLC ± -		PRODUCT SPEC	MODULAR JACK RJ45, MULTI-PORT SHIELDED, THUR-HOLE, RIGHT ANGLE		
1 PLC ± 0.3		APPLICATION SPEC	SIZE CAGE CODE DRAWING NO RESTRICTED TO		
2 PLC ± 0.2		WEIGHT	A3 00779 C=1734460		
3 PLC ± 0.15		CUSTOMER DRAWING	SCALE	SHEET 4 of 4	REV D
4 PLC ± -					
ANGLES ± 3'					
MATERIAL	FINISH				

单击下面可查看定价，库存，交付和生命周期等信息

[>>TE Connectivity\(泰科\)](#)