

4

3

2

1

THIS DRAWING IS UNPUBLISHED.

RELEASED FOR PUBLICATION

---

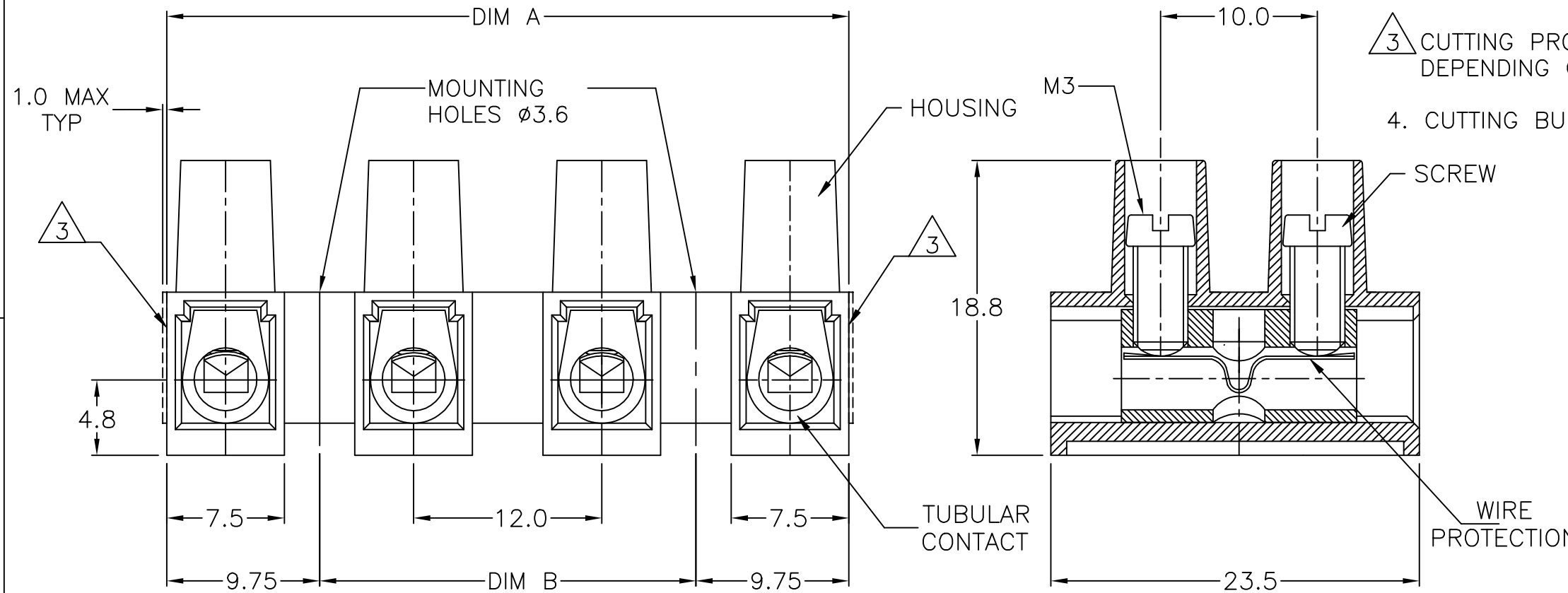
© COPYRIGHT - TE Connectivity Ltd.

ALL RIGHTS RESERVED.

REVISIONS

P	LTR	DESCRIPTION	DATE	DWN	APVD
P		CUTTING BURR DETAILS ADDED	20NOV2018	RK	PS

- MATERIALS:  
HOUSING: POLYAMIDE 6 UL94V-2  
COLOR: NATURAL (OFF WHITE).  
TUBULAR CONTACT: BRASS, TIN PLATED.  
SCREW: M3, STEEL, ZINC PLATED W/ NON-HEXAVALENT CHROMATE (CHROME III).  
WIRE PROTECTOR: STAINLESS STEEL.
- ELECTRICAL:  
CURRENT RATING: 40A, 250V.  
WIRE RANGE: 10-22 AWG.
- CUTTING PROJECTION CAN BE ON BOTH SIDES DEPENDING ON CUTTING LOCATION
- CUTTING BURR MAX. 1mm ALLOWED.



120.0	139.5	TSB1000 12MDS	1-1776319-2
108.0	127.5	TSB1000 11MDS	1-1776319-1
96.0	115.5	TSB1000 10MDS	1-1776319-0
84.0	103.5	TSB1000 09MDS	1776319-9
72.0	91.5	TSB1000 08MDS	1776319-8
60.0	79.5	TSB1000 07MDS	1776319-7
48.0	67.5	TSB1000 06MDS	1776319-6
36.0	55.5	TSB1000 05MDS	1776319-5
24.0	43.5	TSB1000 04MDS	1776319-4
12.0	31.5	TSB1000 03MDS	1776319-3
-	19.5	TSB1000 02MDS	1776319-2
-	7.5	TSB1000 01MDS	1776319-1
DIM B	DIM A	T & B PART NUMBER	TE PART NUMBER

1776319-4 AS SHOWN

THIS DRAWING IS A CONTROLLED DOCUMENT.		DWN S SCHLEGEL 3/21/05	TE Connectivity Ltd.	
		CHK C RICHARD 3/21/05		
DIMENSIONS: mm		APVD C RICHARD 3/21/05	NAME EUROPA TERMINAL BLOCK W/WIRE STOP MOUNTING HOLES 3.6 DIA, 12mm PITCH	
		PRODUCT SPEC -	APPLICATION SPEC -	
TOLERANCES UNLESS OTHERWISE SPECIFIED:		WEIGHT	SIZE A3	CAGE CODE 00779
0 PLC ± - 1 PLC ± 0.3 2 PLC ± 0.25 3 PLC ± - 4 PLC ± - ANGLES ± 2°		CUSTOMER DRAWING	DRAWING NO 1776319	RESTRICTED TO -
MATERIAL SEE NOTES		FINISH SEE NOTES	SCALE NTS	SHEET 1 of 1
			REV P	

单击下面可查看定价，库存，交付和生命周期等信息

[>>TE Connectivity\(泰科\)](#)