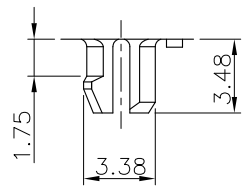
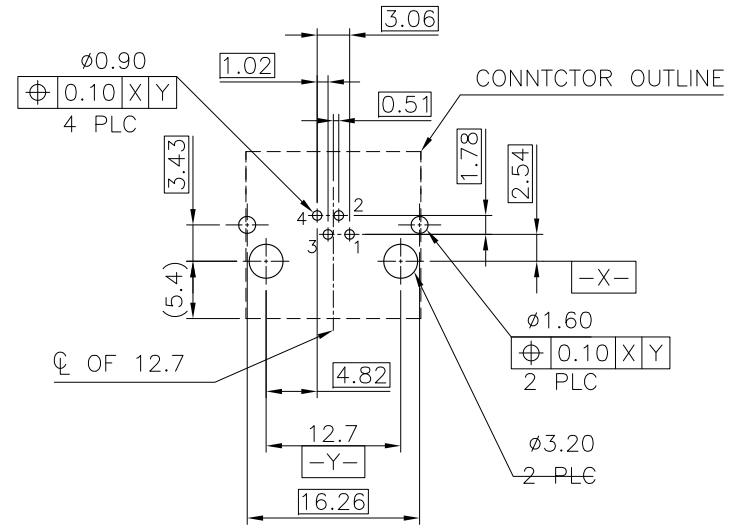
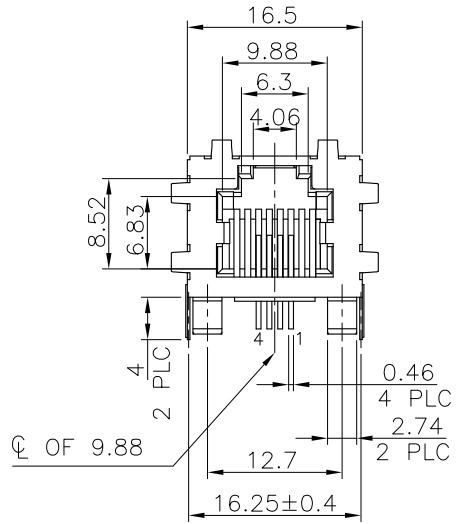
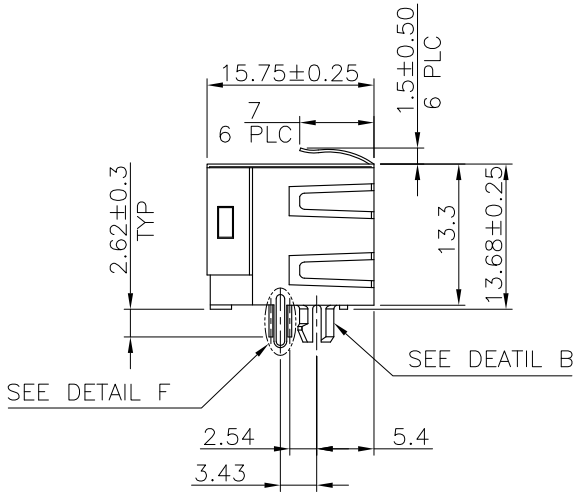
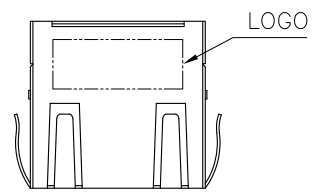


THIS DRAWING IS UNPUBLISHED. RELEASED FOR PUBLICATION AUG. 2006.
 © COPYRIGHT BY TYCO ELECTRONICS CORPORATION. ALL RIGHTS RESERVED.

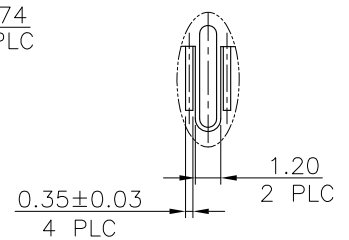
LOC		DIST		REVISIONS			DATE	DWN	APVD
DW				P	LTR	DESCRIPTION			
				B		ECR-12-012115	26OCT12	EL	WK



DETAIL B (SCALE 2:1)



RECOMMENDED PCB LAYOUT
 TOLERANCE: ±0.05 (TOP VIEW)



DETAIL F (SCALE 2:1)

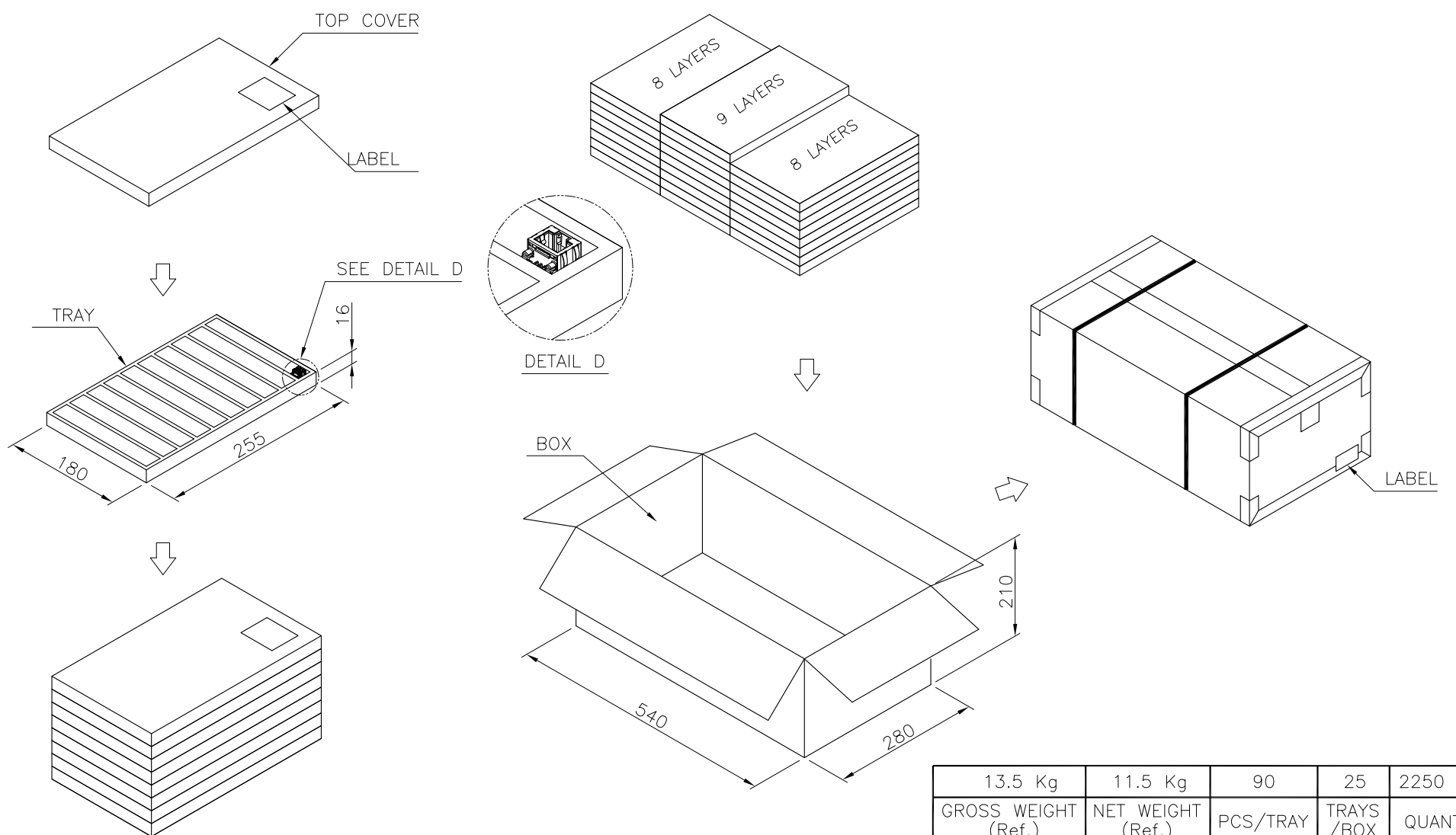
- NOTE:
- MATERIAL:
 HOUSING: PA46, WITH 30% GF,
 UL 94V-0, BLACK COLOR.
 CONTACTS: PHOSPHOR BRONZE.
 SHELL: BRASS.
 - FINISH:
 CONTACTS: (SEE TABLE) GOLD PLATED ON CONTACT AREA,
 GOLD FLASH ON SOLDER TAIL,
 WITH ENTIRE CONTACT UNDERPLATED
 1.27µm [50µ"] MIN. NICKEL.
 SHELL: 0.508µm [20µ"] MIN. NICKEL PLATED.
 - RECOMMENDED PCB THICKNESS: 1.6mm.
 - WAVE SOLDER CAPABLE TO 265°C PER TE SPE 109-202, CONDITION B.

OBSOLETE	1.27µm [50µ"]	-2041086-4-
	0.762µm [30µ"]	-2041086-3-
	0.381µm [15µ"]	-2041086-2-
	0.152µm [6µ"]	2041086-1
	MIN. GOLD THICKNESS	PART NUMBER

THIS DRAWING IS A CONTROLLED DOCUMENT.		DWN B. HSING	12JAN2009	TE Connectivity	
DIMENSIONS: MM		CHK S. CHIEN	12JAN2009		
TOLERANCES UNLESS OTHERWISE SPECIFIED:		APVD W. KODAMA	12JAN2009	NAME	
0 PLC ± - 1 PLC ± 0.30 2 PLC ± 0.20 3 PLC ± 0.15 4 PLC ± - ± 3° ANGLES ± - ± 3°		PRODUCT SPEC 108-57743		MODULAR JACK, RJ11 SINGLE, DIP TYPE	
MATERIAL SEE NOTE		APPLICATION SPEC		SIZE	CAGE CODE
FINISH SEE NOTE		WEIGHT 5.1 GRAMS		DRAWING NO A300779	RESTRICTED TO
		CUSTOMER DRAWING		©=2041086	
		SCALE		SHEET	REV
				1 OF 2	B

THIS DRAWING IS UNPUBLISHED. RELEASED FOR PUBLICATION AUG ,2006.
 © COPYRIGHT BY TYCO ELECTRONICS CORPORATION. ALL RIGHTS RESERVED.

LOC	DIST	REVISIONS					
DW		P	LTR	DESCRIPTION	DATE	DWN	APVD
				SEE SHEET 1.			



13.5 Kg	11.5 Kg	90	25	2250 PCS
GROSS WEIGHT (Ref.)	NET WEIGHT (Ref.)	PCS/TRAY	TRAYS /BOX	QUANTITY

THIS DRAWING IS A CONTROLLED DOCUMENT.

DIMENSIONS: MM	TOLERANCES UNLESS OTHERWISE SPECIFIED:	DWN	TE Connectivity MODULAR JACK, RJ11 SINGLE, DIP TYPE
	0 PLC ± -	CHK	
	1 PLC ± -	APVD	
	2 PLC ± -	PRODUCT SPEC	
	3 PLC ± -	APPLICATION SPEC	NAME
	4 PLC ± -	WEIGHT	SIZE CAGE CODE DRAWING NO RESTRICTED TO
MATERIAL	FINISH	CUSTOMER DRAWING	A3 00779 C=2041086
		SCALE	SHEET 2 of 2 REV B

单击下面可查看定价，库存，交付和生命周期等信息

[>>TE Connectivity\(泰科\)](#)