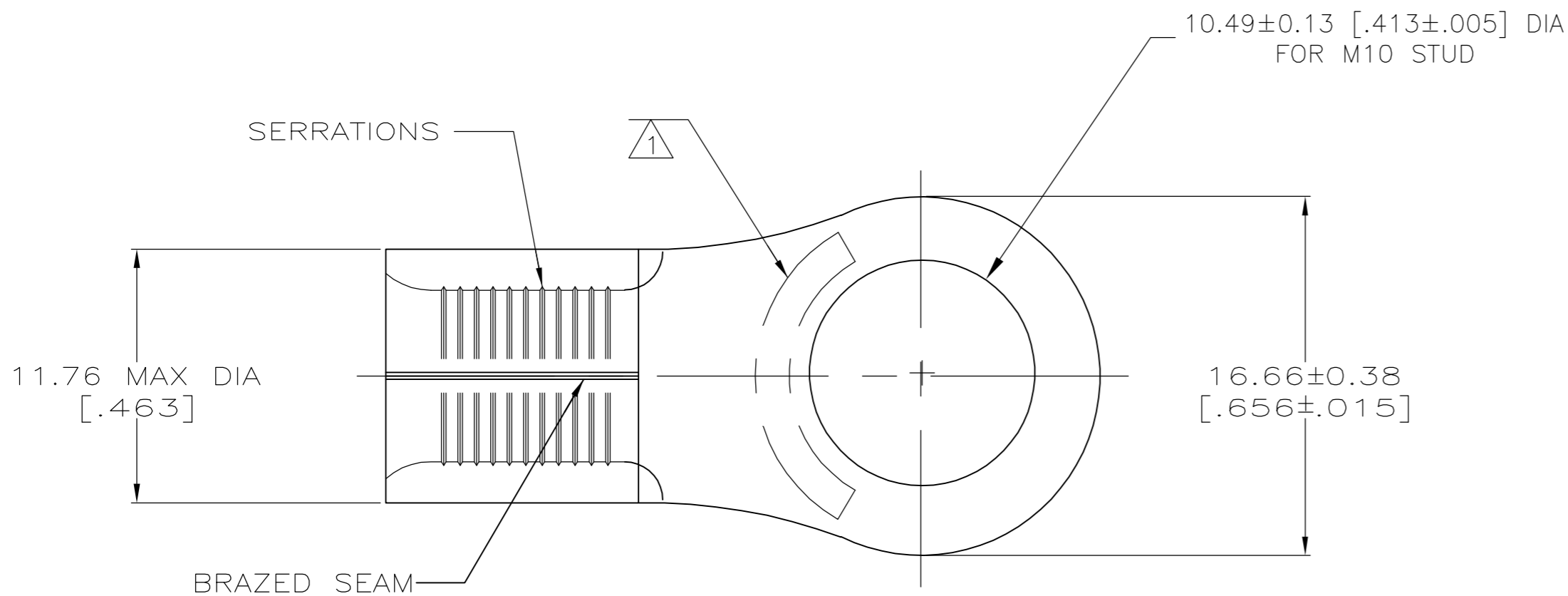
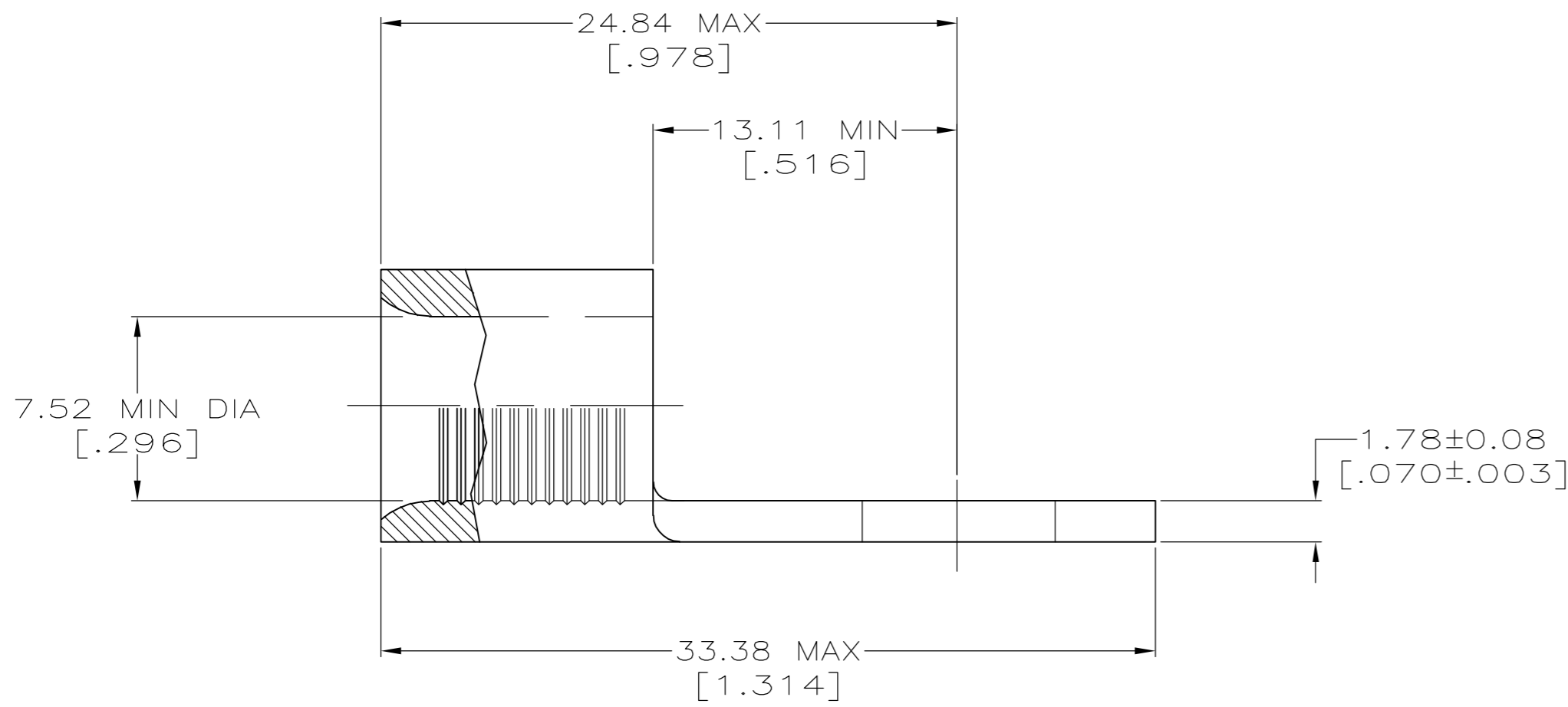


THIS DRAWING IS UNPUBLISHED. RELEASED FOR PUBLICATION
 © COPYRIGHT BY TYCO ELECTRONICS CORPORATION. ALL RIGHTS RESERVED.

LOC	DIST	REVISIONS			
P	LTR	DESCRIPTION	DATE	DWN	APVD
G	14	C	REV PER ECR 06-005021	01MAR06	JR TM



- STAMP AMP 4* APPROX AS SHOWN
- 2 MAX RECOMMENDED OPERATING TEMP IS 170°C MAX
- 3 VOLTAGE RATING, NOT APPLICABLE
- 4 WIRE CROSS SECTION AREA:
16.8-26.7mm² [33,100-52,600] CIR MIL
SOLID OR STRANDED
- 5 COPPER PER ASTM B-152, ANNEALED
- 6 TIN PLATE 0.00254 [.000100] MIN PER ASTM B545



100	LOOSE PIECE	160075
QTY	PACKAGING TYPE	PART NO.

THIS DRAWING IS A CONTROLLED DOCUMENT.		DWN	JR RUTH	01MAR06	 Tyco Electronics Corporation Harrisburg, PA 17105-3608			
DIMENSIONS: INCHES		CHK	T MICHIELUTTI	01MAR06				
TOLERANCES UNLESS OTHERWISE SPECIFIED:		APVD	T MICHIELUTTI	01MAR06				
0 PLC ± - 1 PLC ± - 2 PLC ± - 3 PLC ± 0.20[.008] 4 PLC ± - ANGLES ± - FINISH		PRODUCT SPEC	NAME			TERMINAL, RING TONGUE, SOLISTRAND		
MATERIAL		WEIGHT		SIZE		CAGE CODE	DRAWING NO	RESTRICTED TO
- 5		-		A2		00779	C=160075	-
		CUSTOMER DRAWING		SCALE		4:1	SHEET	1 of 1
							REV	C

单击下面可查看定价，库存，交付和生命周期等信息

[>>TE Connectivity\(泰科\)](#)