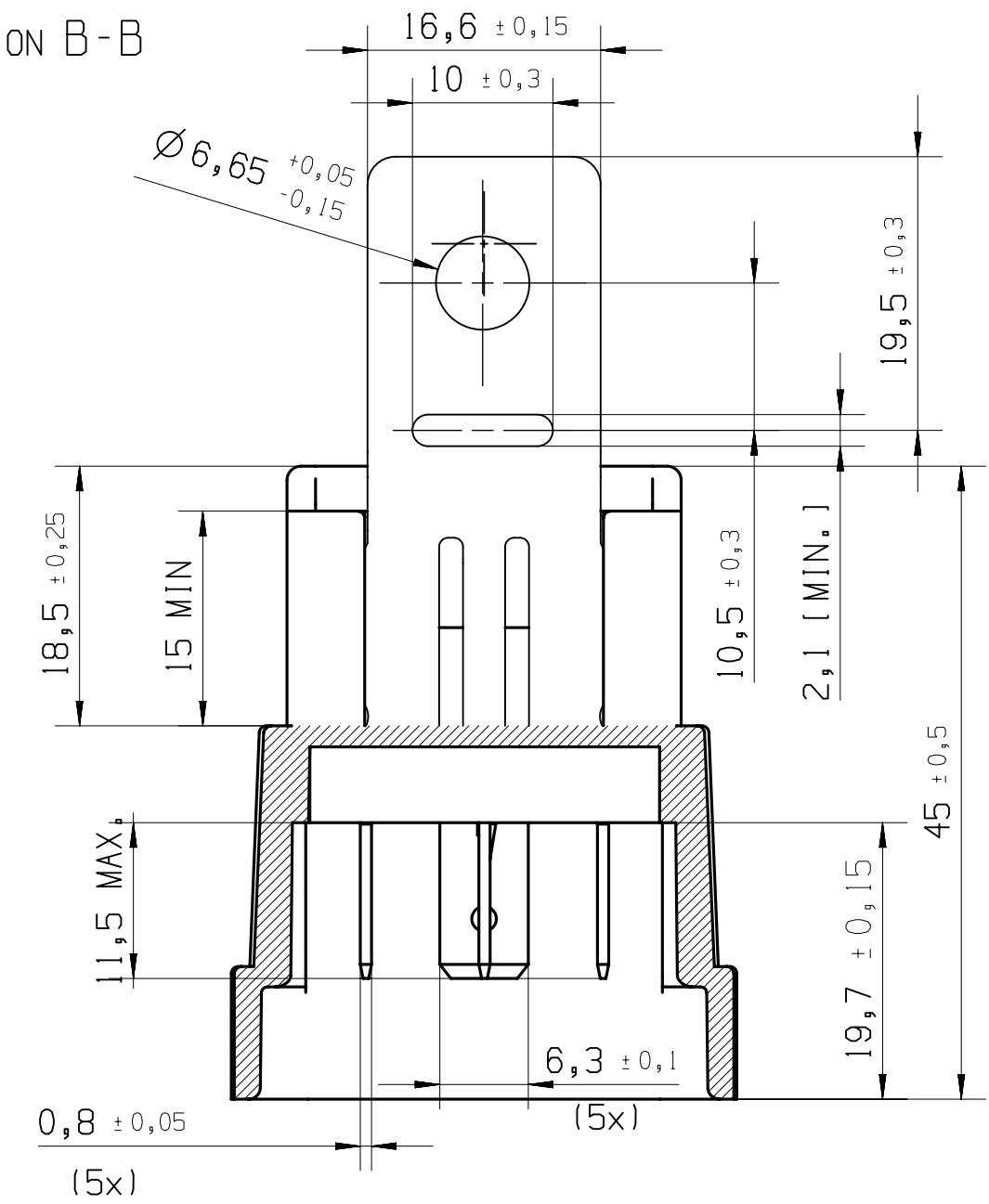
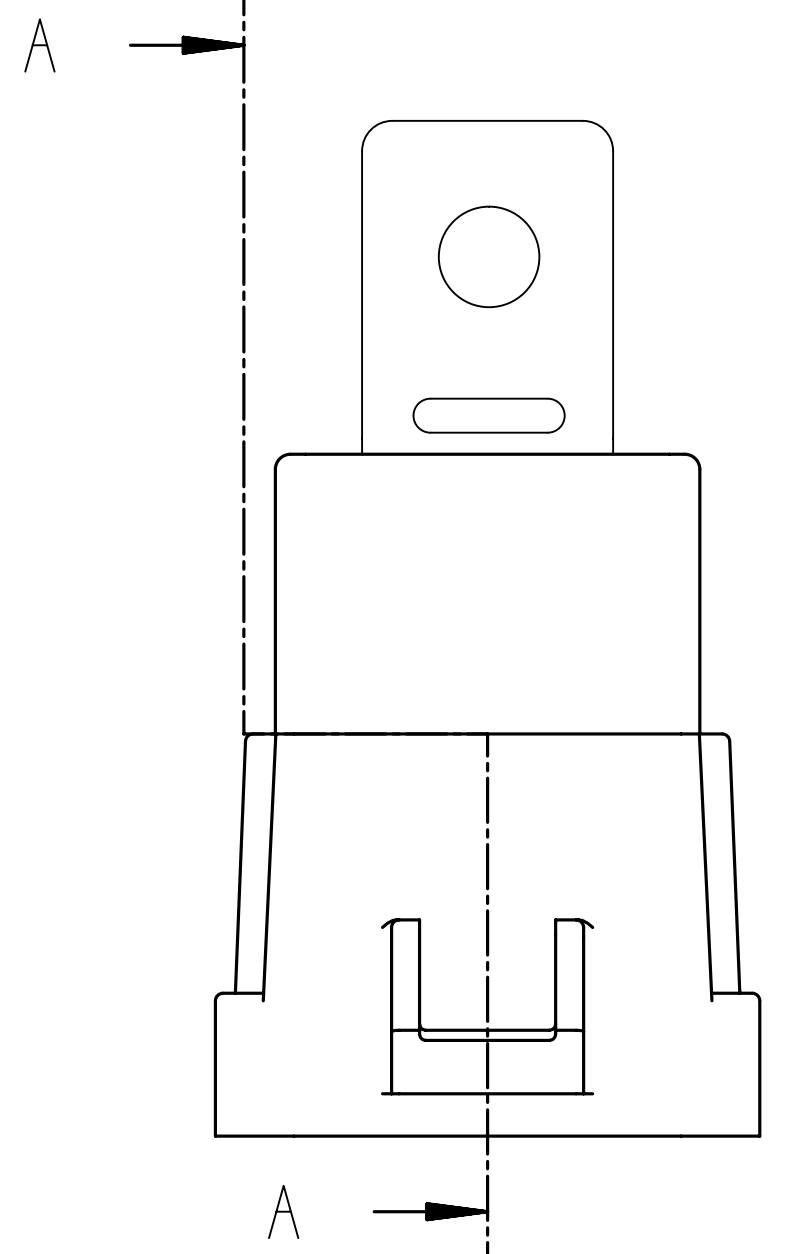
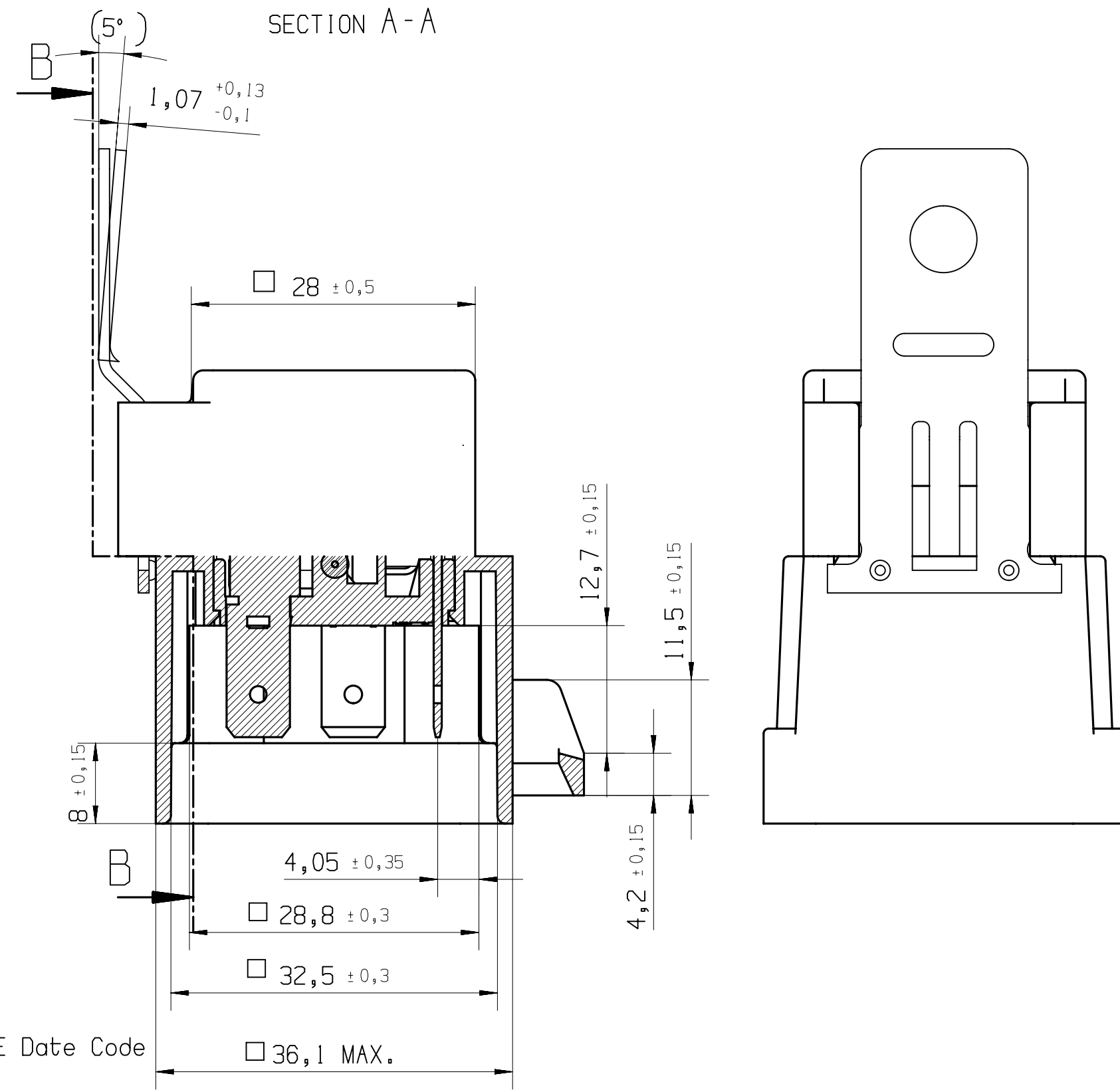


SECTION B-B



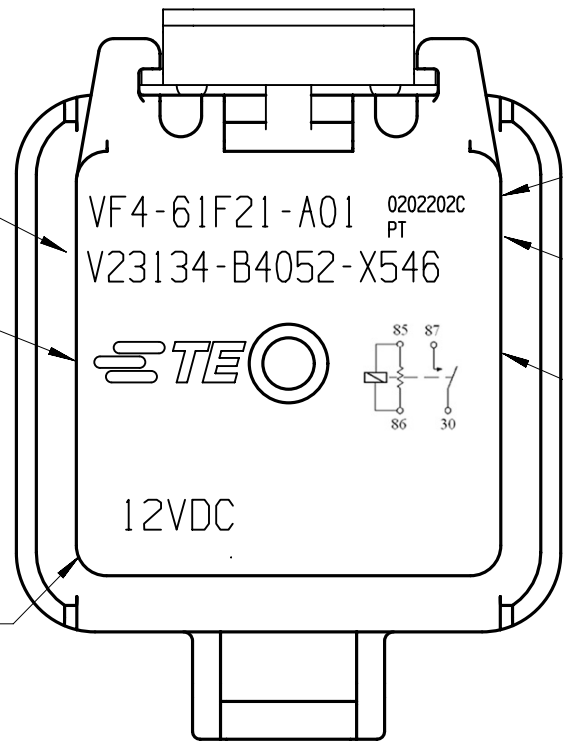
SECTION A-A



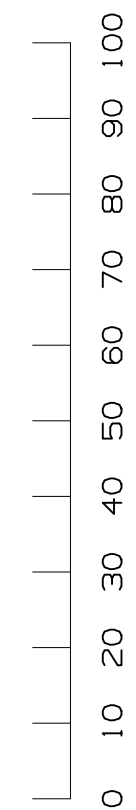
* TERMINAL LOCATIONS APPLY AT THE BASE OF THE TERMINAL

MARKING LASER MARJED OR WITH INK PRINTED OR INJECTION MOLDED TO INCLUDE: MANUFACTURER'S NAME, MANUFACTURER'S PART NUMBER, SCHEMATIC, COIL VOLTAGE, COUNTRY OF ORIGIN AND DATE CODE

Part Names
 Manufacturer Logo
 Nominal Voltage
 TE Date Code
 Country of Origin
 Schematic Diagram



TE P/N	PART NAME
3-1904131-0	V23134-B4052-X546



PROPRIETARY THE REPRODUCTION, TRANSMISSION OR USE OF THIS DOCUMENT OR IT'S CONTENTS IS NOT PERMITTED WITHOUT EXPRESSED WRITTEN AUTHORITY. OFFENDERS WILL BE LIABLE FOR ALL DAMAGES. ALL RIGHTS, INCLUDING RIGHTS CREATED BY REGISTERED PATENT(S) GRANTED FOR A UTILITY MODEL OR DESIGN, ARE RESERVED.		CHANGES TO THIS DRAWING MUST BE DONE ONLY IN CAD	PAPER SIZE A2
APPLICABLE SPEC.: Replacement for VF4-61F21-A01		FINISH DIMENSIONS APPLY PLATING SCALE 2:1 WEIGHT	MATERIAL
TOLERANCE UNLESS SPECIFIED OTHERWISE DIMENSIONS IN MM	DATE NAME DWN. 11NOV2016 L.Sandoval APP. REV.	PART NAME POWER F RELAY NORMALLY OPEN	
LOCATION PE EVORA	DWG NO. C - V23134-B4052-X546	SHT. 1	OF 1
REV. CHANGE ORDER DATE APP.	CUSTOMER DRAWING		

单击下面可查看定价，库存，交付和生命周期等信息

[>>TE Connectivity\(泰科\)](#)