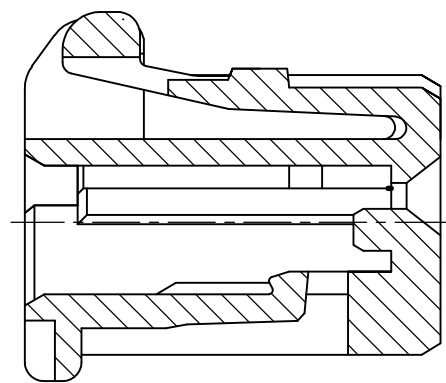
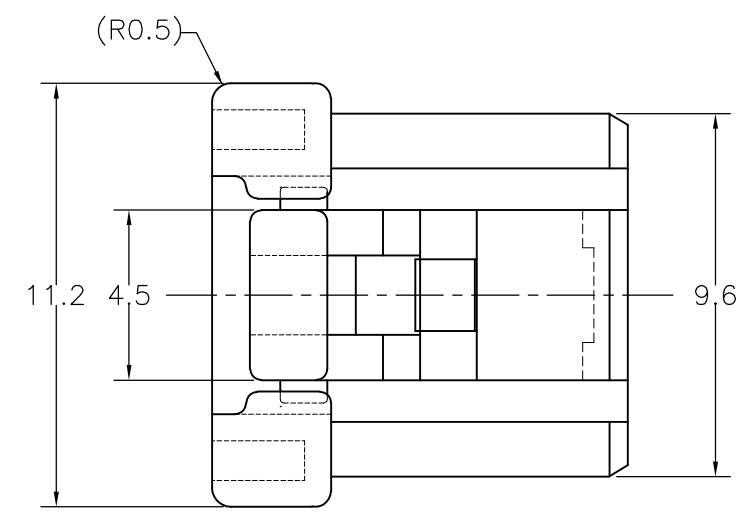


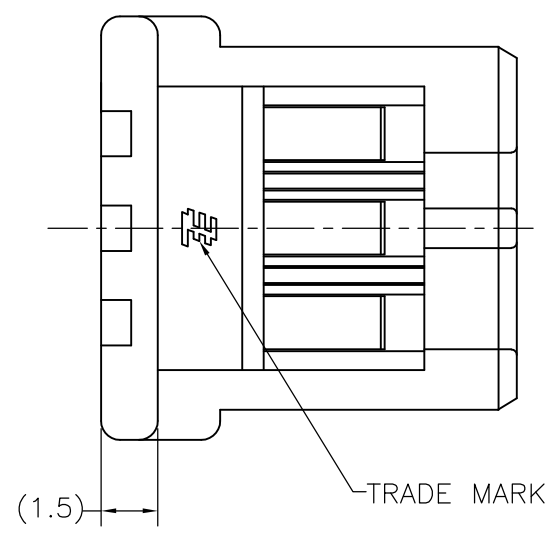
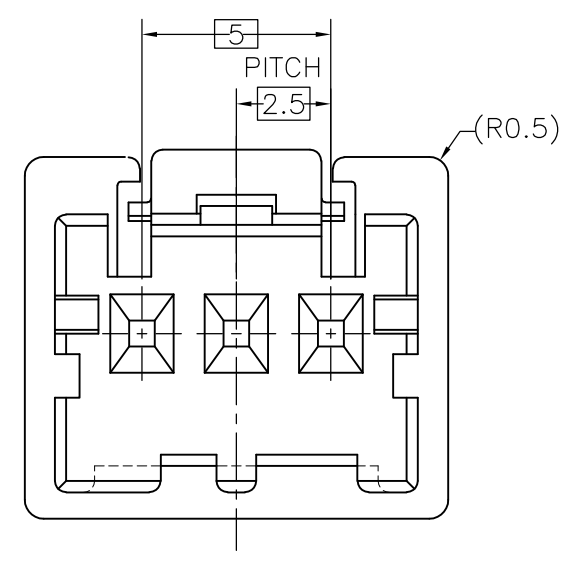
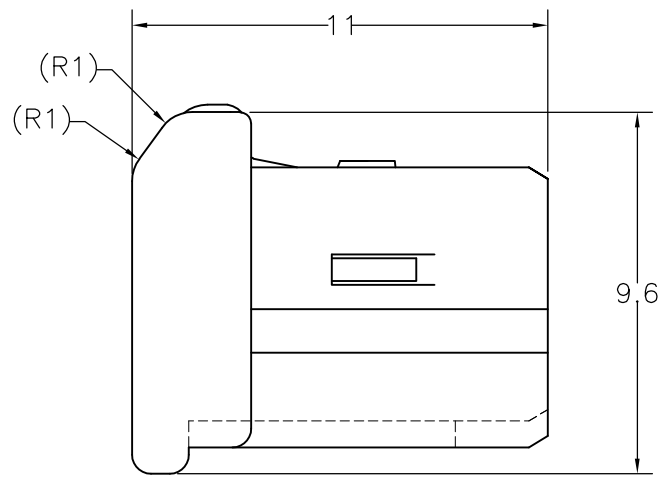
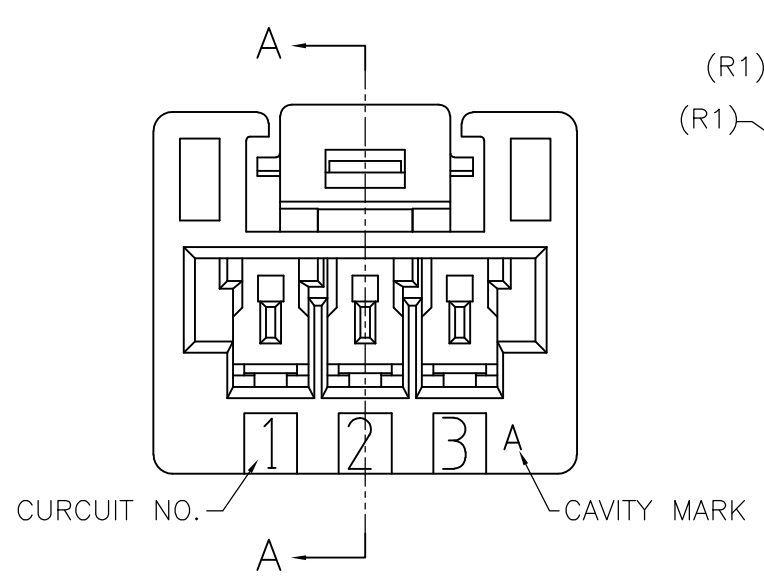
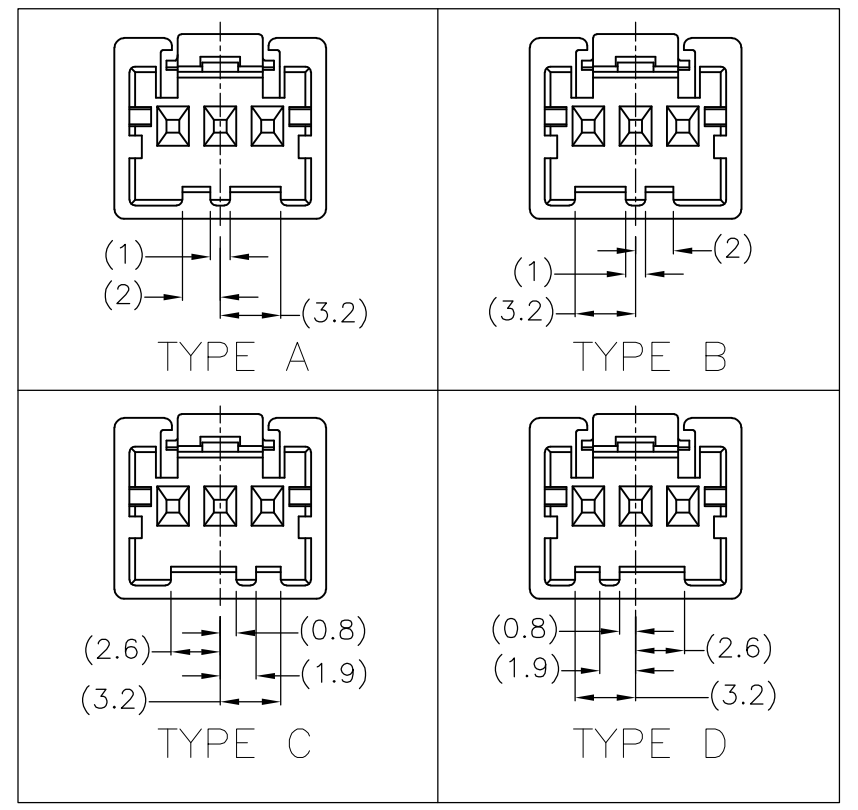
THIS DRAWING IS UNPUBLISHED. RELEASED FOR PUBLICATION
 © COPYRIGHT BY TYCO ELECTRONICS CORPORATION. ALL RIGHTS RESERVED.

LOC	DIST	REVISIONS					
J	—	P	LTR	DESCRIPTION	DATE	DWN	APVD
			B1	REVISED PER ECR-10-019980	04OCT10	HMR	TM



断面 A-A
SECT A-A

TYPE OF KEYING



注記
 1. 一般公差: ±0.3
 △ 材料PBTガラス強化(UL94V-0)
 △ かん合相手製品型番
 キャップハウジング: TABLE参照のこと
 リセコンタクト: 917683, 917684

NOTE
 1. GENERAL TOLERANCE: ±0.3
 △ MATERIAL: PBT GLASS FILLED (UL94V-0)
 △ MATING CONN.P/N
 CAP HOUSING: SEE TABLE
 REC CONTACT: 917683, 917684

3-1903392-4	TYPE D	YELLOW 黄色	3-1903389-4
2-1903392-3	TYPE C	BLUE 青色	2-1903389-3
1-1903392-2	TYPE B	RED 赤色	1-1903389-2
1903392-1	TYPE A	NATURAL 自然色	1903389-1
△ かん合相手型番 MATING HSG P/N	キーイング形状 TYPE OF KEYING	色調 COLOR	型番 PART NUMBER

THIS DRAWING IS A CONTROLLED DOCUMENT.

DWN J.SATO 01NOV05	Tyco Electronics Tyco Electronics AMP K.K. Kawasaki, Japan
CHK T.HATANO 01NOV05	
APVD N.YAMASAKI 01NOV05	NAME 名称 GRACE INERTIA CONNECTOR 2.5 W PLUG HOUSING 3P
PRODUCT SPEC 製品規格 108-78350	SIZE A3
APPLICATION SPEC 取付適用規格	CAGE CODE 00779
WEIGHT	DRAWING NO 番号 G-1903389
MATERIAL 材料 SEE NOTE △	RESTRICTED TO —
FINISH 仕上	SCALE 尺度 5:1
	SHEET 1 OF 1
	REV B1

CUSTOMER DRAWING

单击下面可查看定价，库存，交付和生命周期等信息

[>>TE Connectivity\(泰科\)](#)