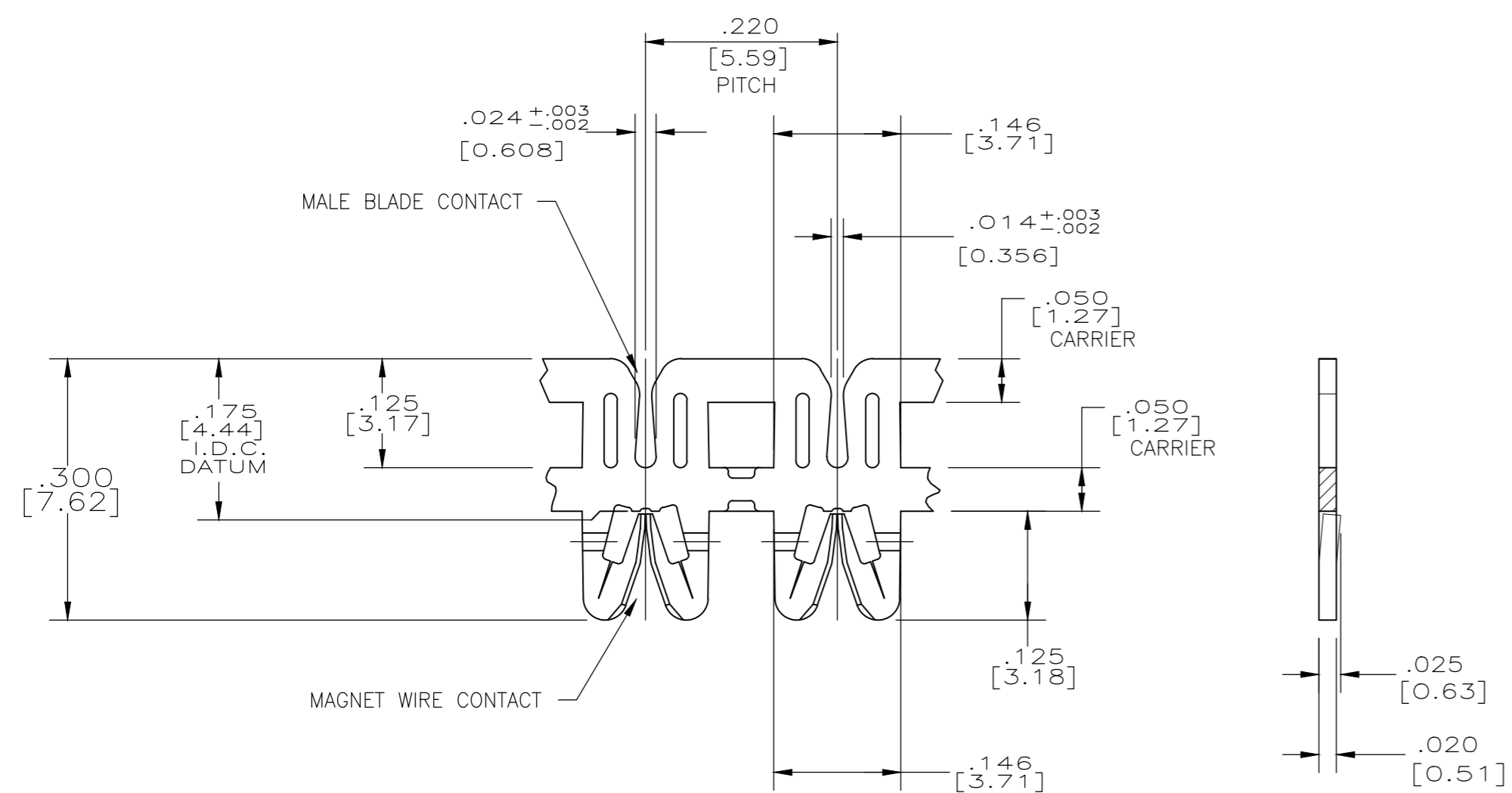
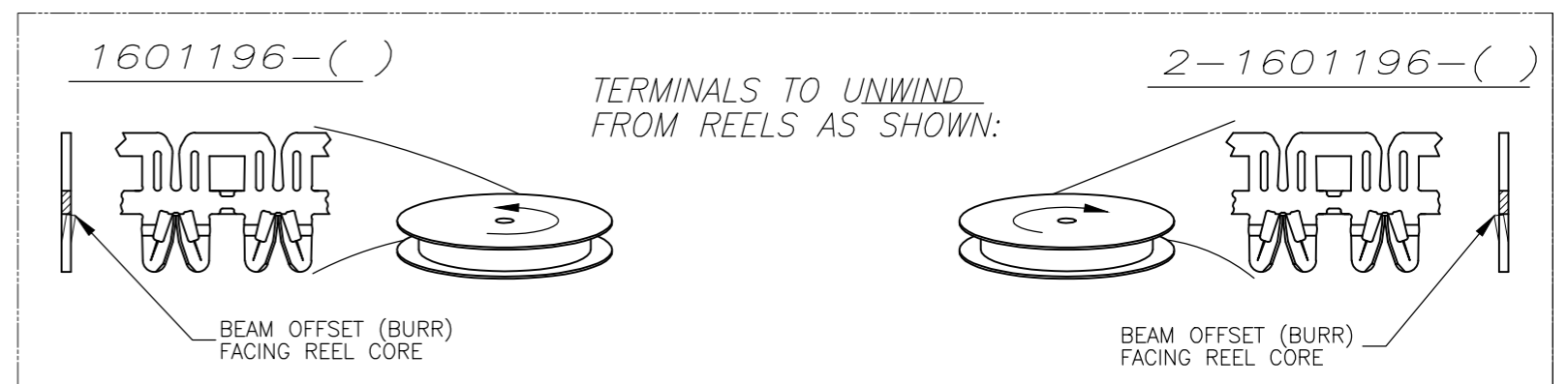
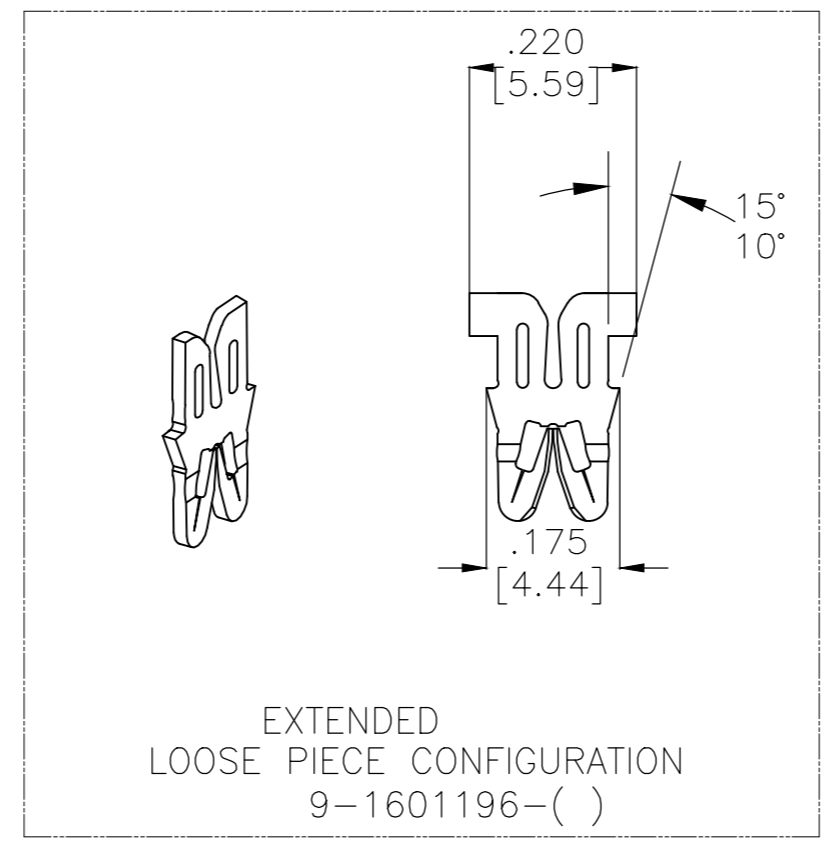
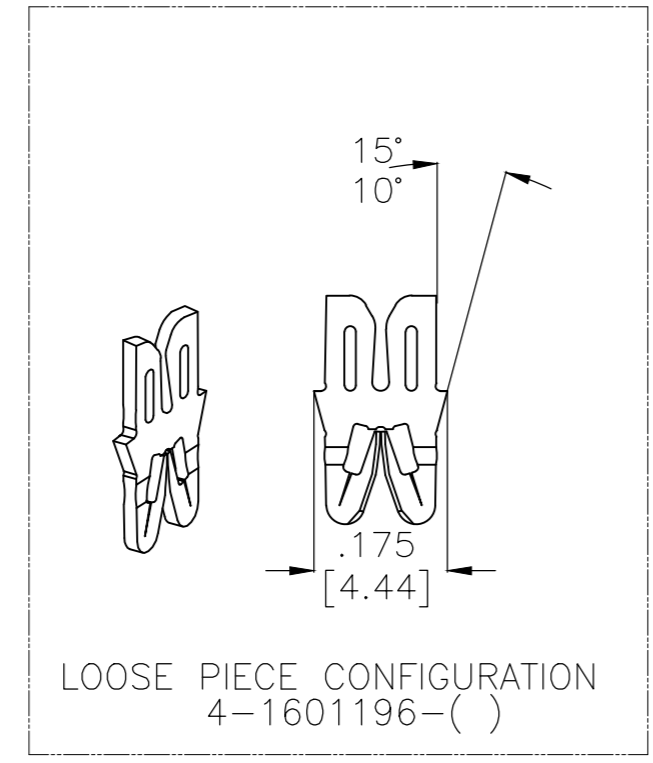
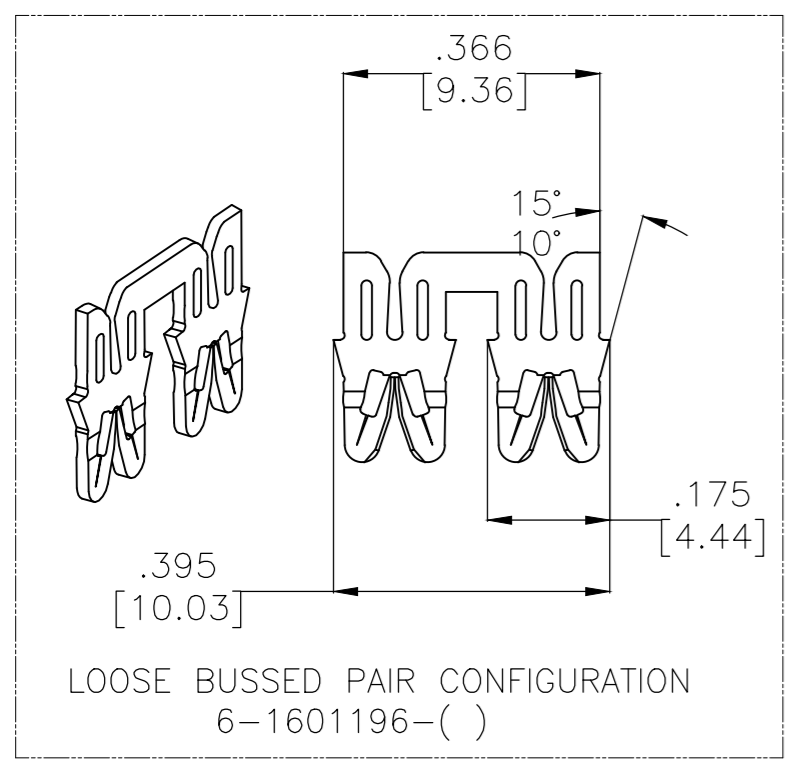
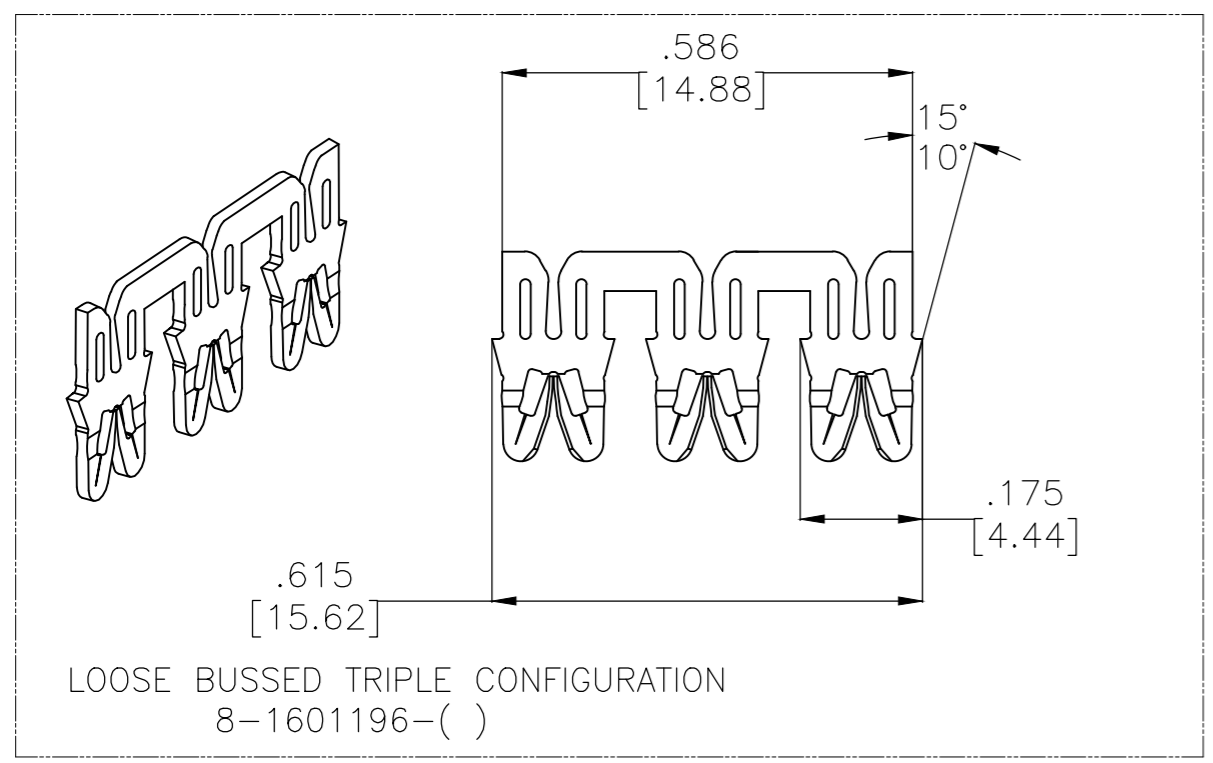


THIS DRAWING IS UNPUBLISHED. RELEASED FOR PUBLICATION
 © COPYRIGHT - By - ALL RIGHTS RESERVED.

REVISIONS					
P	LTR	DESCRIPTION	DATE	DWN	APVD
B4		RELEASE PER ECR-19-006455	26APR2019	JH	PKS



- 1 SPECIFICATIONS:
MAGNET WIRE #18 - #34 AWG,
.006"(0.16MM)-.040"(1.02MM) DIA COPPER.
OTHER SIZES MAY BE ACCOMMODATED,
CONSULT TYCO ELECTRONICS FOR APPROVAL.
MALE BLADE .020" (0.5mm) THICK BRASS
- 2 POCKET RECOMMENDATION: #1601426
- 3 TERMINAL APPLICATION TO COMPLY WITH TYCO ELECTRONICS SPECIFICATION 114-13166 FIGURE 11.
- 4 PRELIMINARY - NOT FOR PRODUCTION
- 5 TWO (2) TERMINALS SHOWN FOR ILLUSTRATION PURPOSES ONLY.
- 6 PRE-PRODUCTION - FASR REQUIRED.



N/A	POST TIN OVER NICKEL	4-6-1601196-3
N/A	POST TIN OVER NICKEL	4-4-1601196-3
N/A	UNPLATED	4-9-1601196-1
N/A	UNPLATED	4-8-1601196-1
N/A	UNPLATED	4-6-1601196-1
CORRUGATED REEL	UNPLATED	2-1601196-1
PLASTIC REEL	POST TIN OVER NICKEL	1601196-3
CORRUGATED REEL	POST TIN OVER NICKEL	1601196-2
CORRUGATED REEL	UNPLATED	1601196-1
REEL	FINISH	PART NUMBER

THIS DRAWING IS A CONTROLLED DOCUMENT.		DWN MICHAEL S. FEHER 25MAY2004		
DIMENSIONS: mm [INCHES]		CHK GENE JACONO 25MAY2004		
TOLERANCES UNLESS OTHERWISE SPECIFIED:		APVD GENE JACONO 25MAY2004	NAME STANDARD RANGE HIGH CARRIER WIRE TO BLADE SIAMEZE TERMINAL	
0 PLC ± - 1 PLC ± - 2 PLC ± .01[0.25] 3 PLC ± .005[0.13] 4 PLC ± - ANGLES ± 2°		PRODUCT SPEC 108-2085	RESTRICTED TO	
MATERIAL BRASS, SPRING HARD		FINISH SEE TABLE	WEIGHT 0.10	SIZE A2
		CUSTOMER DRAWING		SCALE 1:1
		CAGE CODE 00779		DRAWING NO 1601196
		SHEET 1 OF 1		REV B4

单击下面可查看定价，库存，交付和生命周期等信息

[>>TE Connectivity\(泰科\)](#)