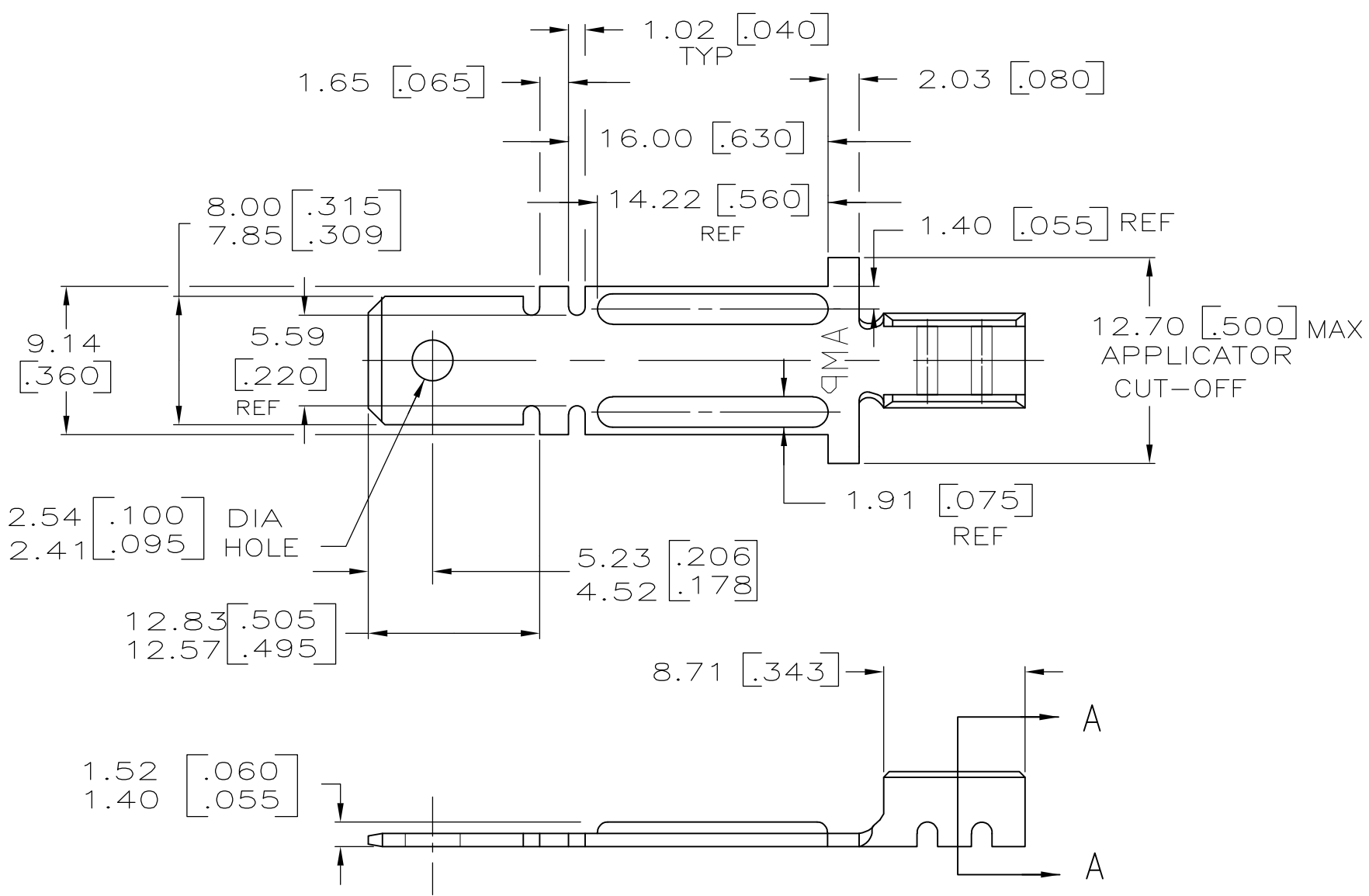
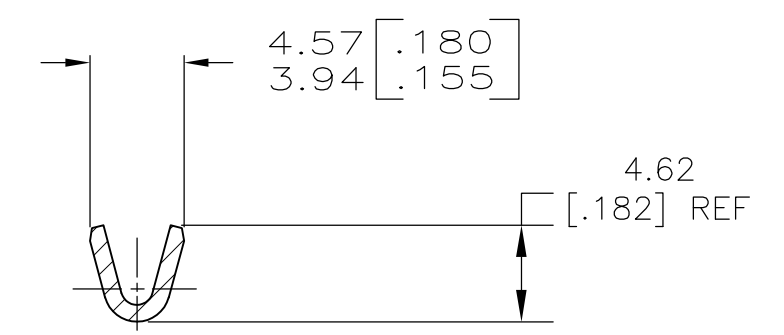


LOC	DIST	REVISIONS					
AF	50	P	LTR	DESCRIPTION	DATE	DWN	APVD
			A1	REVISED PER ECR-08-005757	07MAR08	HMR	KR



- 1 DIMENSIONS IN BRACKETS ARE IN INCHES.
- 2 CONTINUOUS STRIP ON REELS.
- 3 SEE SHEET 2 FOR SUGGESTED LOCKING IN CERAMIC.



SECTION A-A

NICKEL	CR STEEL	[22-15] 0.30-1.45 MM DIA NI-CHROME	1742583-1
FINISH	MATERIAL	WIRE SIZE	PART NO.
THIS DRAWING IS A CONTROLLED DOCUMENT.		DWN M.S. FEHER 23APR2007	Tyco Electronics Corporation Harrisburg, PA 17105-3608
DIMENSIONS: mm [INCHES]		CHK J. KNOLL 23APR2007	
		APVD J. KNOLL 23APR2007	NAME
TOLERANCES UNLESS OTHERWISE SPECIFIED:		PRODUCT SPEC	TAB, FASTON, .312 SERIES
0 PLC ± -		APPLICATION SPEC	SIZE
1 PLC ± -		114-2097	CAGE CODE
2 PLC ± -		WEIGHT	DRAWING NO
3 PLC ± 0.25 [.010]		-	RESTRICTED TO
4 PLC ± -		A3 00779	1742583
ANGLES ± -		CUSTOMER DRAWING	SCALE
MATERIAL SEE TABLE	FINISH SEE TABLE		3:1
			SHEET
			1 OF 2
			REV
			A1

4

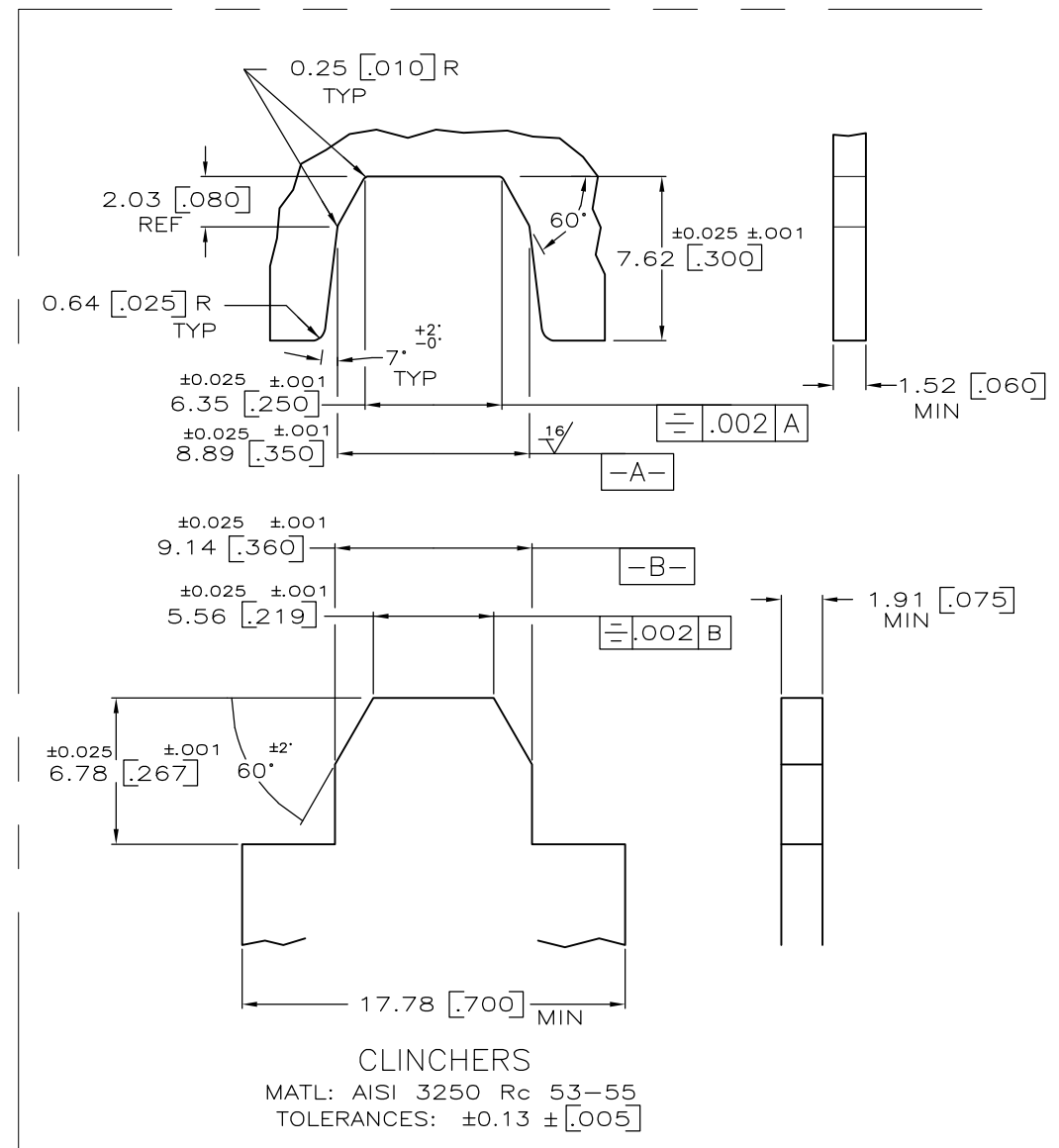
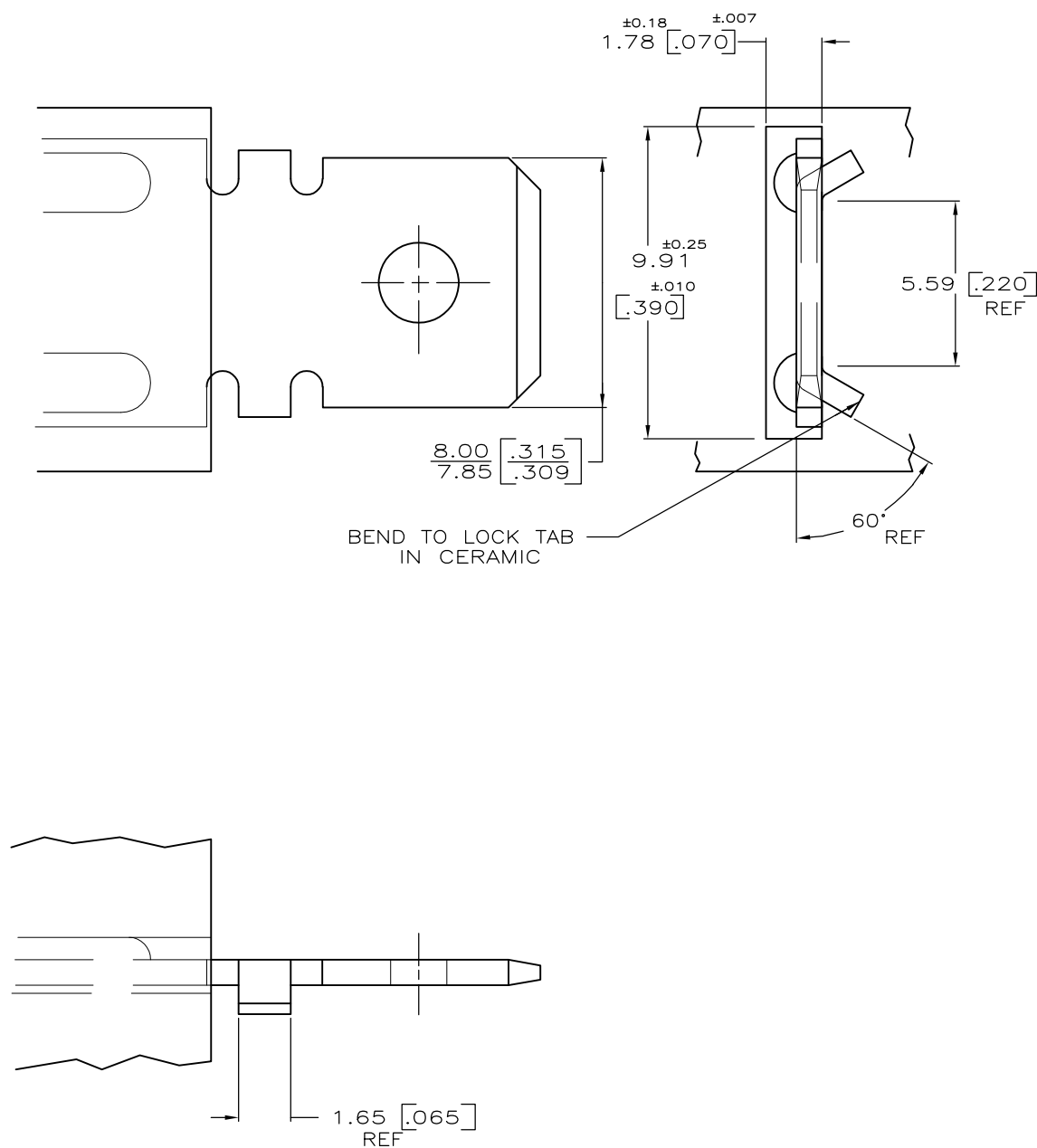
3

2

1

THIS DRAWING IS UNPUBLISHED. RELEASED FOR PUBLICATION
 © COPYRIGHT BY TYCO ELECTRONICS CORPORATION. ALL RIGHTS RESERVED.

LOC	DIST	REVISIONS			
P	LTR	DESCRIPTION	DATE	DWN	APVD
AF	50	SEE SHEET 1	-	-	-



THIS DRAWING IS A CONTROLLED DOCUMENT.		DWN M.S. FEHER 23APR2007	Tyco Electronics Tyco Electronics Corporation Harrisburg, PA 17105-3608	
DIMENSIONS: mm [INCHES]		CHK J. KNOLL 23APR2007	NAME	
TOLERANCES UNLESS OTHERWISE SPECIFIED:		APVD J. KNOLL 23APR2007	TAB, FASTON, .312 SERIES	
MATERIAL SEE SHEET1		FINISH SEE SHEET1	PRODUCT SPEC -	RESTRICTED TO -
APPLICATION SPEC 114-2097		WEIGHT -	SIZE A3	CAGE CODE 00779
CUSTOMER DRAWING		DRAWING NO C-1742583	SCALE 5:1	SHEET 2 OF 2
			REV A1	

单击下面可查看定价，库存，交付和生命周期等信息

[>>TE Connectivity\(泰科\)](#)