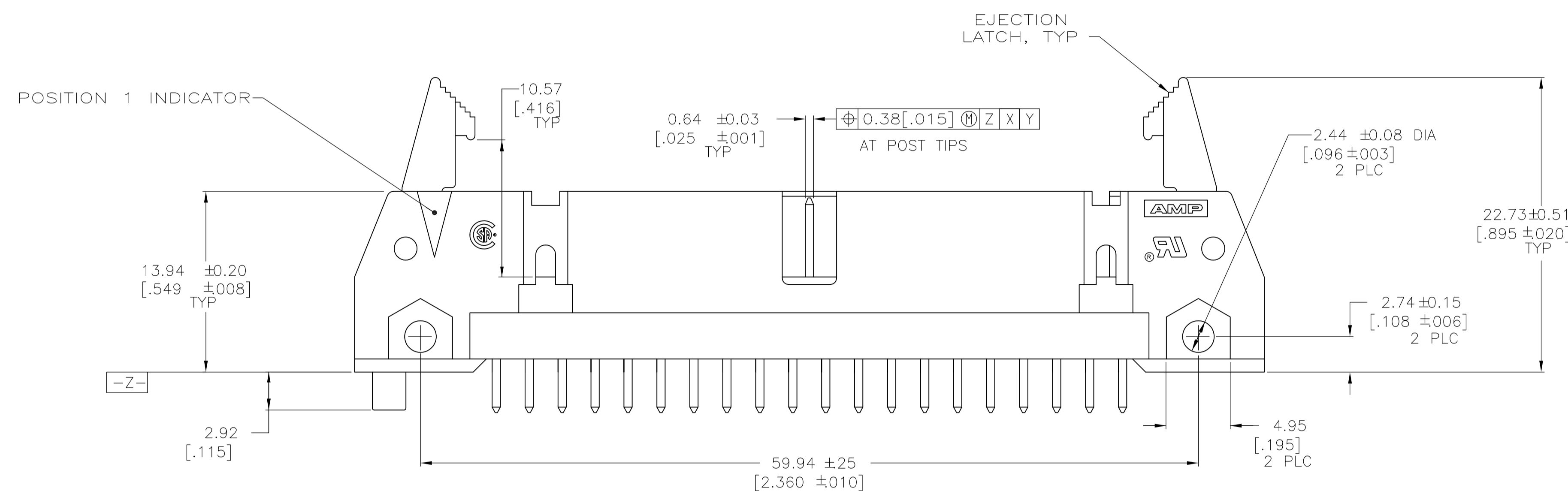
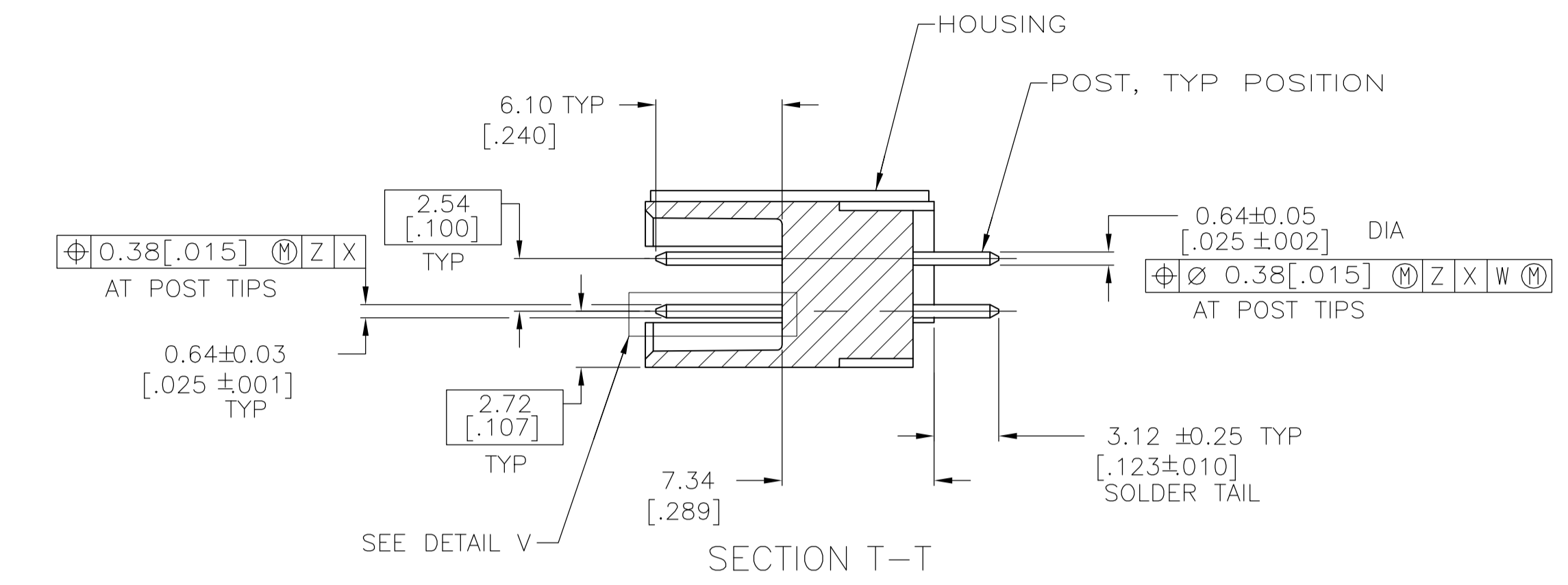
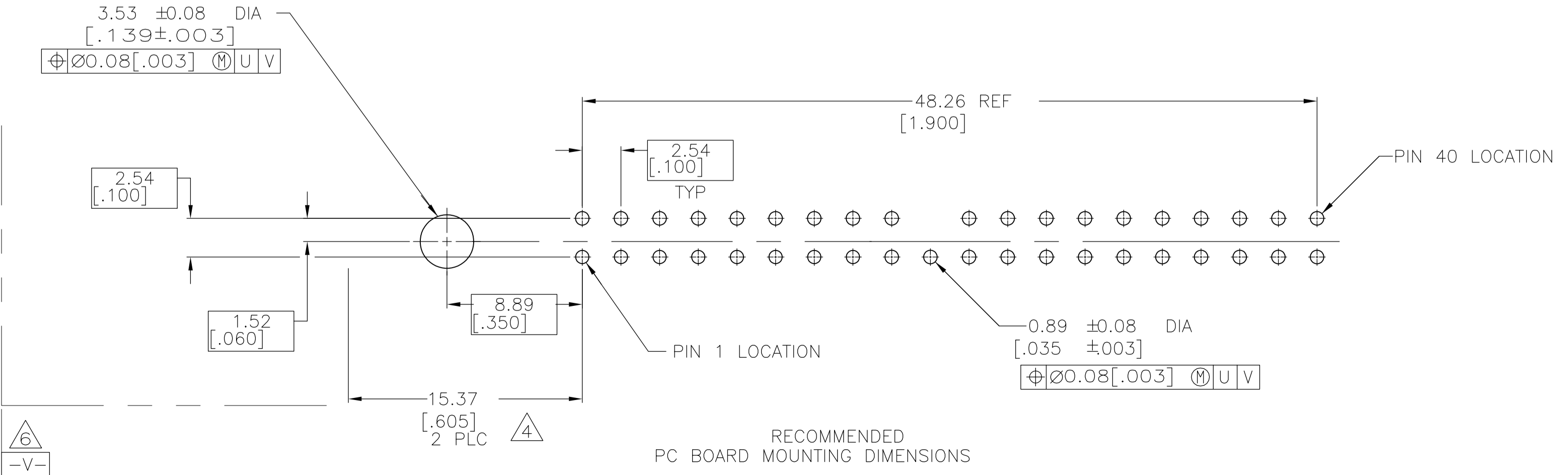
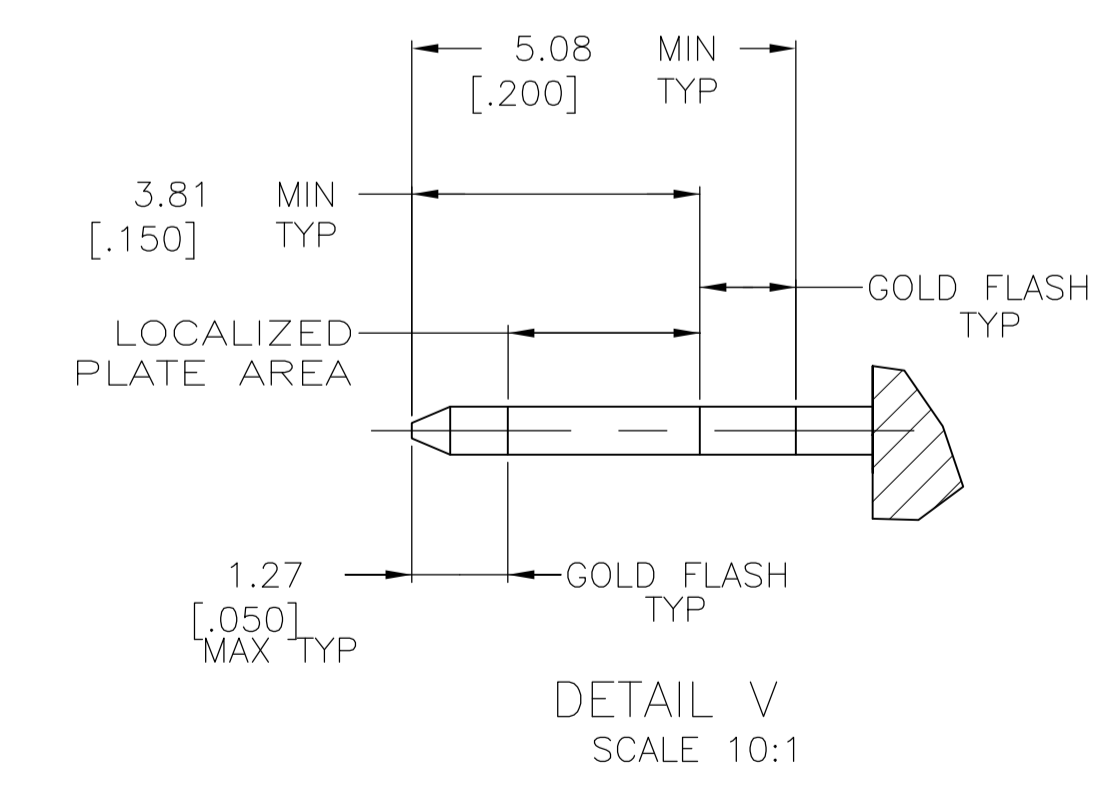
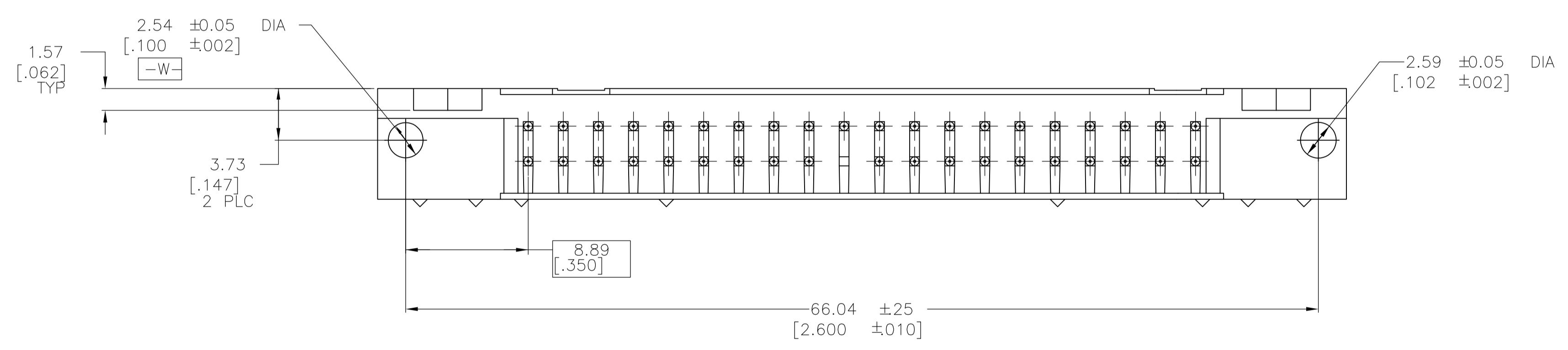


EJECTION LATCHES OMITTED IN THIS VIEW FOR CLARITY



- 1 POST OMITTED IN POSITION 20.
- 2 COORDINATE DIMENSION APPLIES FROM BASIC LOCATION.
- 3 POSTS: GOLD FLASH OVER PALLADIUM-NICKEL PLATE, 0.38µm[.000015] MIN TOTAL ON THE LOCALIZED PLATE AREA, 2.54µm[.000100] MIN TIN PLATE ON THE SOLDER-TAILS, 1.27µm[.000050] MIN NICKEL UNDERPLATE ON THE ENTIRE POST.
-OR-
0.38µm[.000015] MIN GOLD PLATE ON THE LOCALIZED PLATE AREA, 2.54µm[.000100] MIN TIN PLATE ON THE SOLDER-TAILS, 1.27µm[.000050] MIN NICKEL UNDERPLATE ON THE ENTIRE POST.
- 4 DISTANCE REQUIRED BY EJECTION LATCHES IN THE OPEN POSITION.
- 5 HOUSING: GLASS FILLED POLYESTER, UL 94V-0 RATED. CONTACT: PHOSPHOR BRONZE.
- 6 DATUMS U & V TO BE ESTABLISHED BY CUSTOMER.



RECOMMENDED PC BOARD MOUNTING DIMENSIONS

| | | |
|-------|-----------|-------------|
| BLUE | 40 | 6489700-2 |
| BLACK | 40 | 6489700-1 |
| COLOR | NO OF POS | PART NUMBER |

| | | | |
|--|----------|---------------------------|---|
| THIS DRAWING IS A CONTROLLED DOCUMENT. | | DIN J. REITZEL 13SEP01 | Tyco Electronics Corporation Harrisburg, PA 17105-3608 |
| DIMENSIONS: mm [INCHES] | | CIK S. BOLASH 13SEP01 | |
| TOLERANCES UNLESS OTHERWISE SPECIFIED: | | APVD S. GOOD 13SEP01 | NAME HEADER ASSEMBLY, UNIVERSAL, AMP LATCH |
| 0 PLC ± - | | PRODUCT SPEC 108-40018 | |
| 1 PLC ± - | | APPLICATION SPEC | SIZE CASE CODE DRAWING NO |
| 2 PLC ± - | | RESTRICTED TO | A1 00779 C=6489700 |
| 3 PLC ± ± 0.13 [.005] | | SCALE 4:1 | SHEET 1 OF 1 |
| 4 PLC ± - | | REV D | |
| ANGLES ± - | | | |
| MATERIAL 5 | FINISH 3 | CUSTOMER DRAWING | |

单击下面可查看定价，库存，交付和生命周期等信息

[>>TE Connectivity\(泰科\)](#)