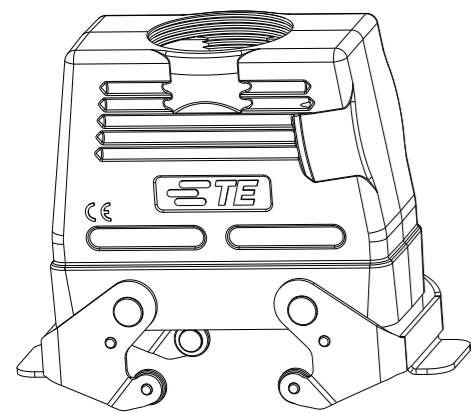
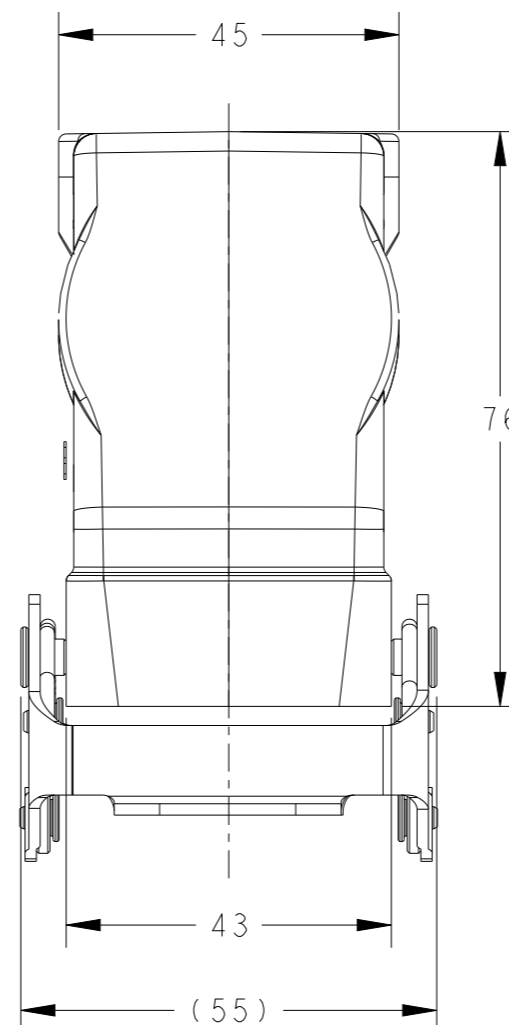
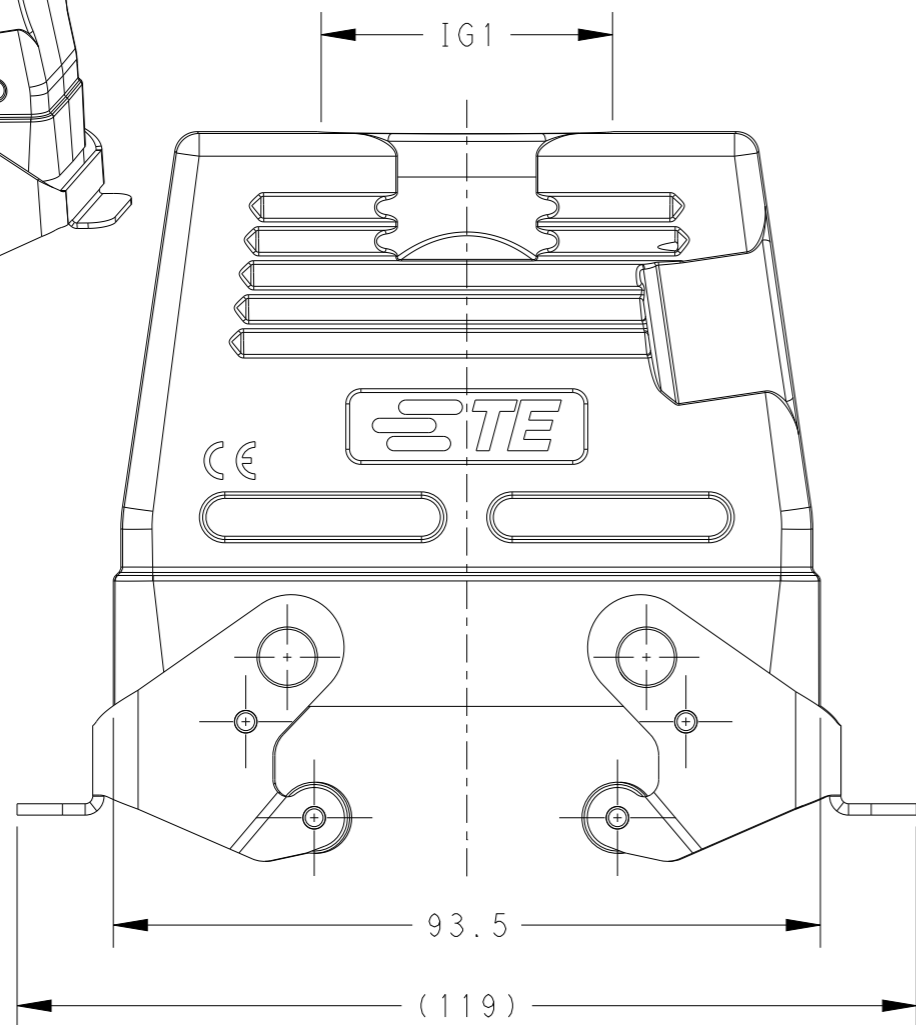


REVISIONS

P	LTR	DESCRIPTION	DATE	DWN	APVD
	A	INITIAL	26MAY2015	DW	CW
	B	ECR-20-008190	18AUG2020	WQR	CW
	B1	ECR-21-105138	29JUN2021	WQR	CW

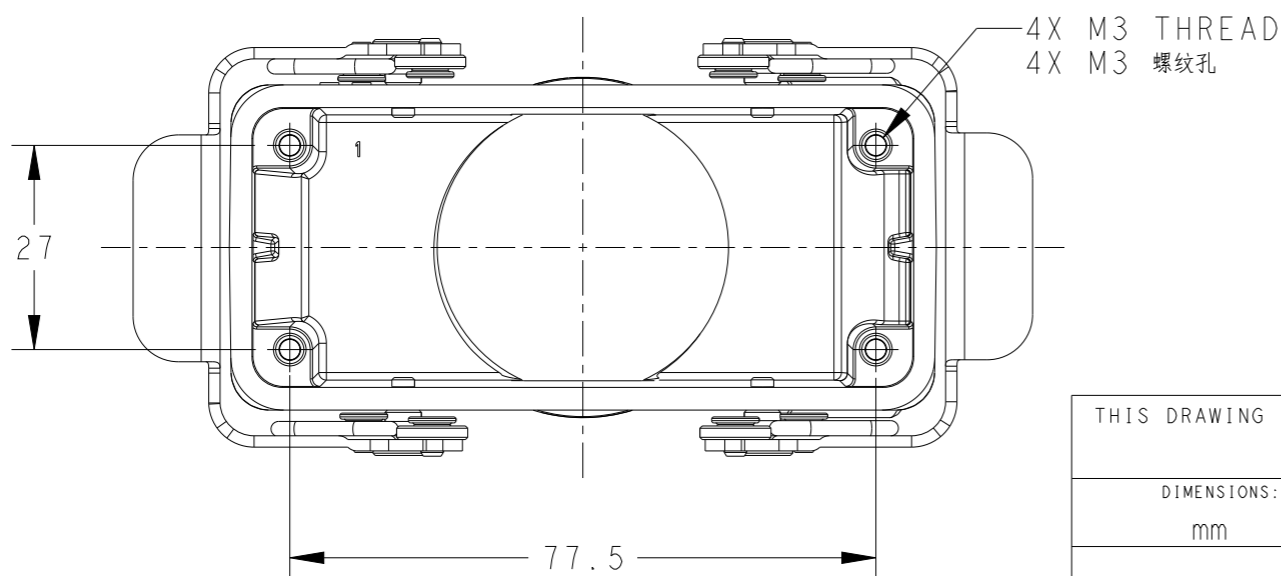


SCALE 1:2



NOTES:
 1. TECHNICAL CHARACTERISTICS:
 HOOD MATERIAL: DIE CAST ALUMINIUM ALLOY
 SURFACE: POWDER COATED, GREY
 DEGREE OF PROTECTION: IP65 (MATED)

注释:
 1. 技术参数:
 上壳材料: 铝合金
 表面处理: 粉末涂层, 灰色
 防护等级: IP65(配合)



T1280163121-000	H16B-TGBHS-PG21	HIGH CONSTRUCTION	PG21
T1280163129-000	H16B-TGBHS-PG29		PG29
T1280163125-000	H16B-TGBHS-M25		M25
T1280163132-000	H16B-TGBHS-M32		M32
T1280163140-000	H16B-TGBHS-M40		M40
PART NUMBER	DESCRIPTION	TYPE	IG1

THIS DRAWING IS A CONTROLLED DOCUMENT.

DIMENSIONS:	TOLERANCES UNLESS OTHERWISE SPECIFIED:
mm	
	0 PLC ±-
	1 PLC ±-
	2 PLC ±-
	3 PLC ±-
	4 PLC ±-
	ANGLES ±-
MATERIAL	FINISH
-	-
-	-

DWN	26MAY2015
David Wang	
CHK	26MAY2015
Chris Wang	
APVD	26MAY2015
Xiang Xu	
PRODUCT SPEC	108-137013
APPLICATION SPEC	114-137013
WEIGHT	-
Customer Drawing	

		TE Connectivity	
		NAME H16B-TGBHS-M/PG	
SIZE	CAGE CODE	DRAWING NO	RESTRICTED TO
A3	00779	©-T12801631XX000	-
SCALE 1:1		SHEET 1 OF 1	REV B1

单击下面可查看定价，库存，交付和生命周期等信息

[>>TE Connectivity\(泰科\)](#)