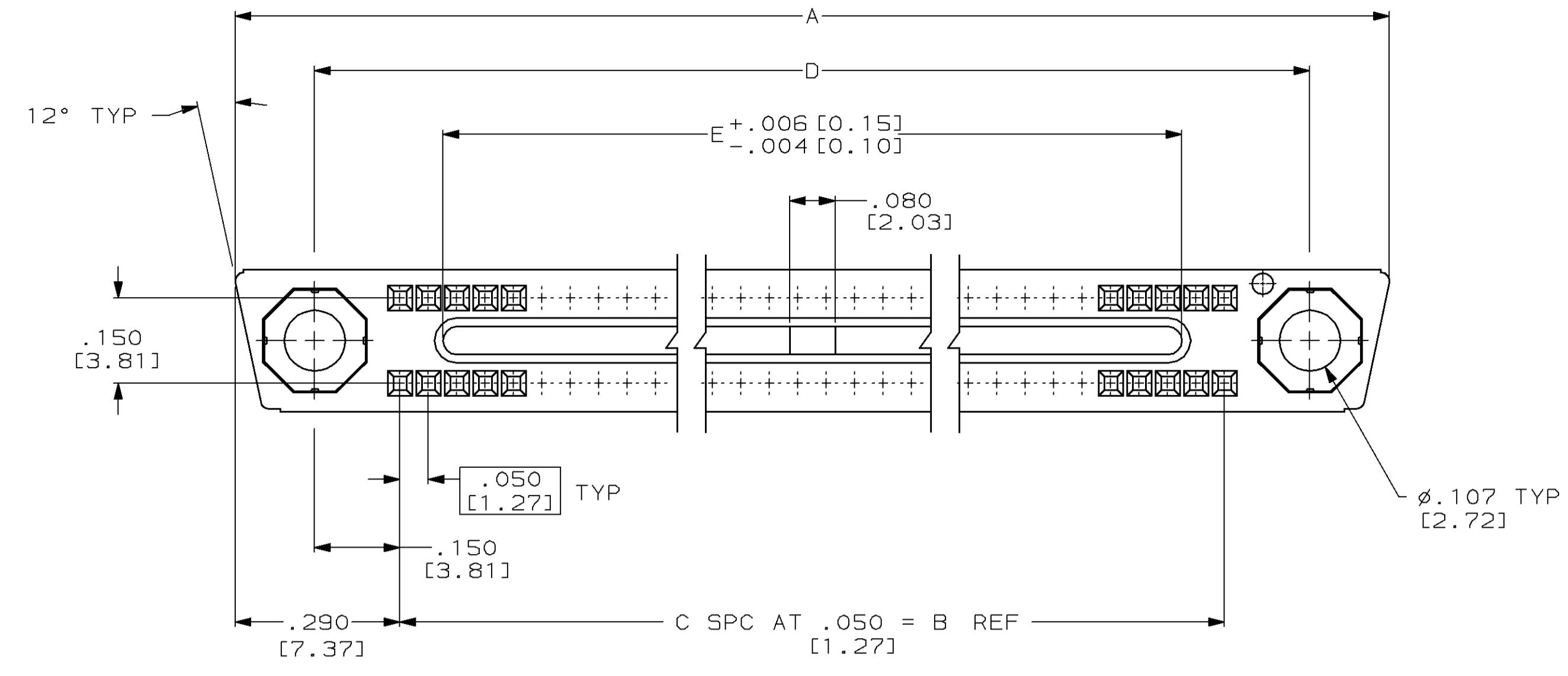
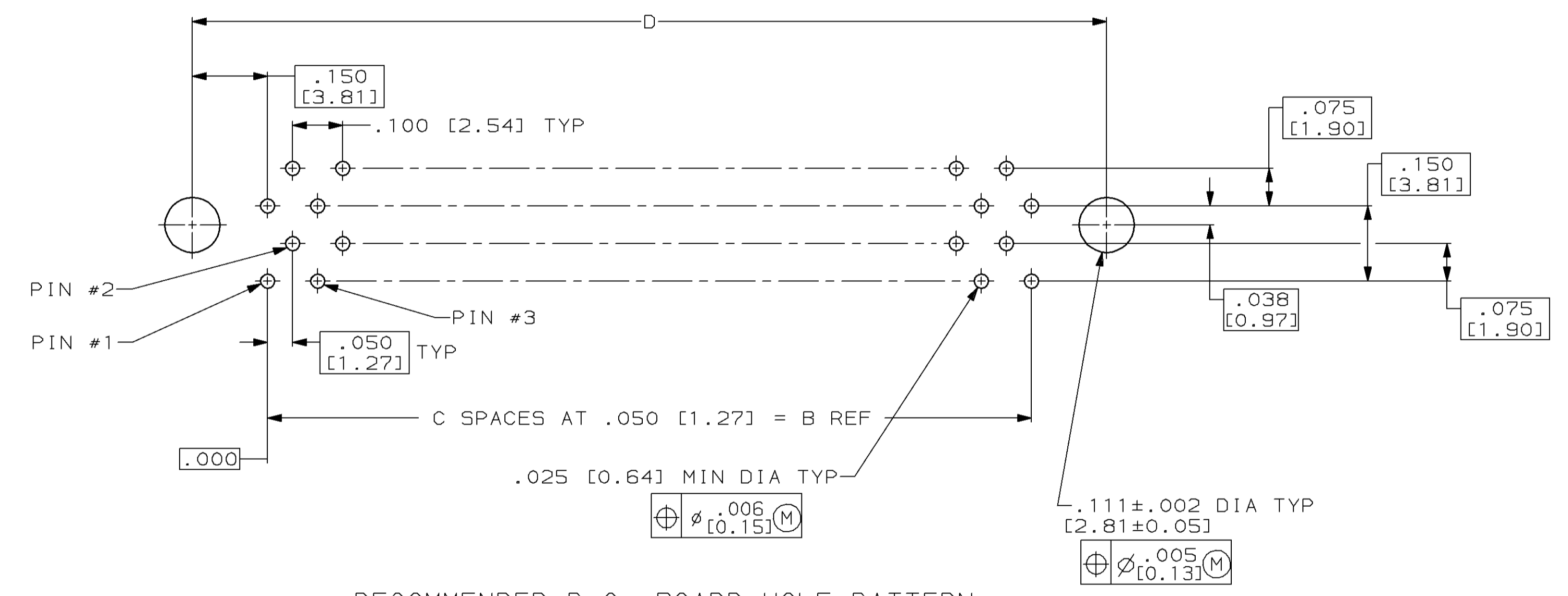
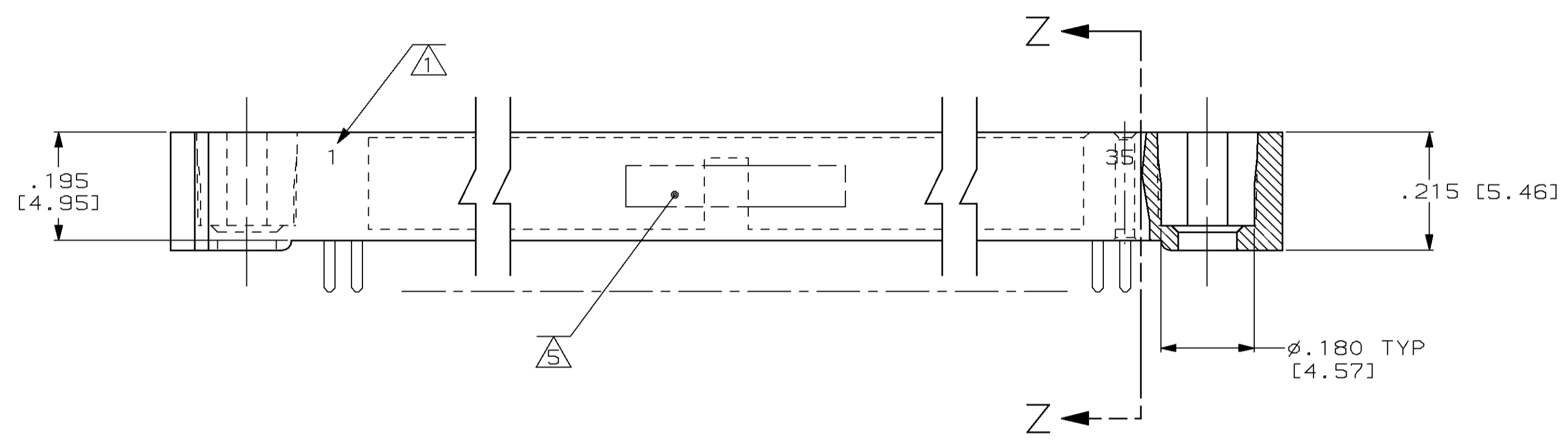


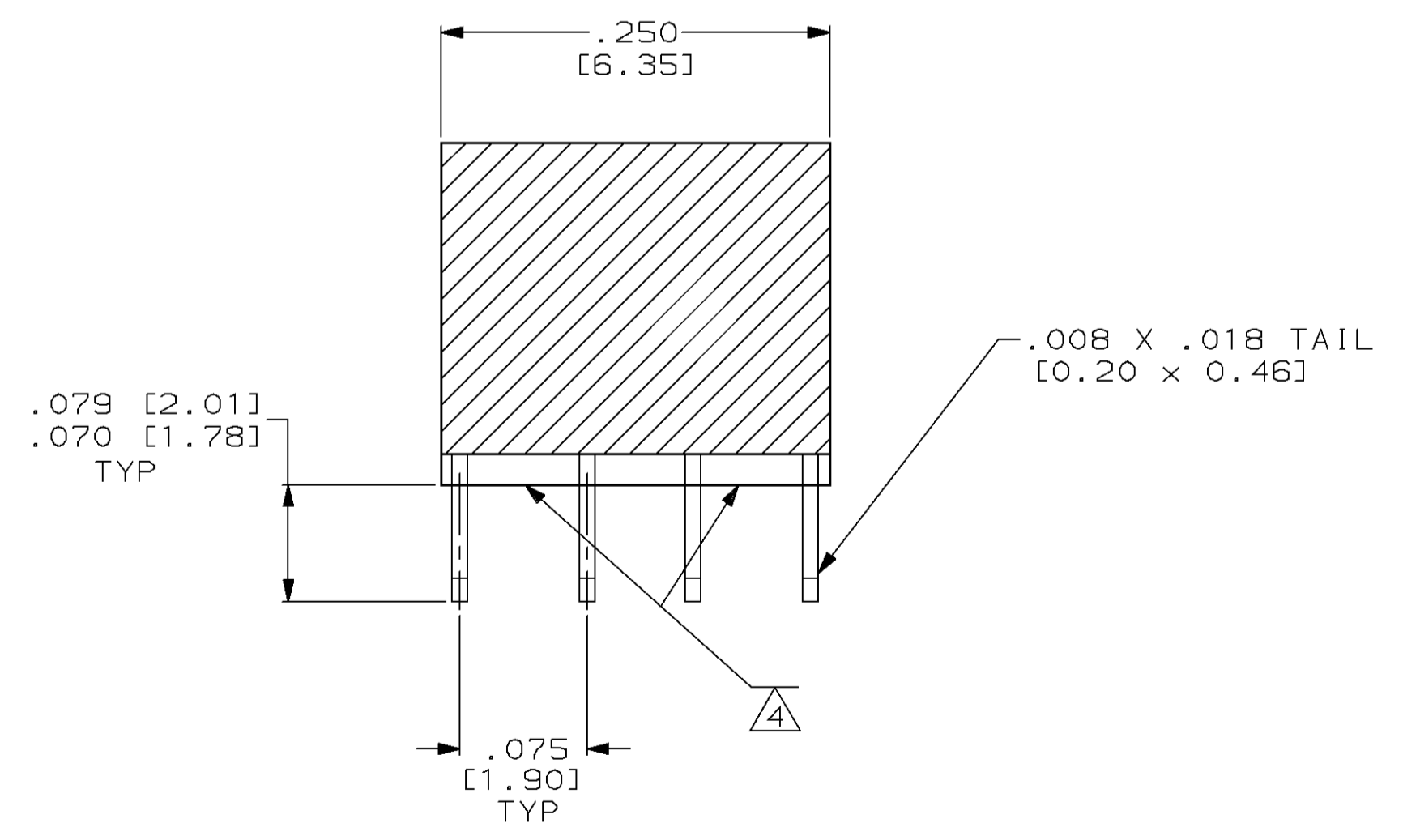
| PROJ |    | LOC | Q1ST | REVISIONS |      |     |                           |         |      |
|------|----|-----|------|-----------|------|-----|---------------------------|---------|------|
| CODE | DF | F0  | P    | F         | ZONE | LTR | DESCRIPTION               | DATE    | APPD |
|      |    |     |      |           |      |     | O REL PER NPR 92-0446 TA  | 2-2-93  | DG   |
|      |    |     |      |           |      |     | A REV PER 0600-3448-95 TA | 1-17-96 | DG   |



- 1. NUMBERS INDICATING END POSITIONS MARKED THIS SIDE ONLY.
- 2. MEETS ALL APPLICABLE REQUIREMENTS OF MIL-C-55302.
- 3. HOUSING MAT'L: LIQUID CRYSTAL POLYMER, COLOR: GRAY.
- 4. EPOXY IS ADDED TO BOTTOM OF HOUSING FOR INCREASED CONTACT RETENTION.
- 5. AMP, PART NUMBER AND DATE CODE MARKED APPROX. IN THIS AREA.



RECOMMENDED P.C. BOARD HOLE PATTERN  
(CONNECTOR SIDE)



SECTION Z-Z  
SCALE 10:1

|  |               |               |    |                          |               |  |             |
|--|---------------|---------------|----|--------------------------|---------------|--|-------------|
| 1 - 35   | 1.550 [39.37] | 2.000 [50.80] | 34 | 1.700 [43.18]            | 2.290 [58.17] | 70   | 448285-1    |
| CAVITY I.D.  | E DIM         | D DIM         | C  | B DIM                    | A DIM         | POSN   | PART NUMBER |
| DO NOT SCALE PRINT. UNLESS SPECIFIED DIMENSIONS IN INCHES [mm] TOLERANCES ON: 2 PLC DEC ± - 3 PLC DEC ± .005 [0.13] ANGLES ± 0°30' |               |               |    | DR T. ALEXANDER 2-1-93   |               | AMP INCORPORATED Harrisburg, Pa. 17105                   |             |
| MATERIAL HOUSING: 3  |               |               |    | APPD 2-2-93 D. GUTTER    |               | NAME RECEPTACLE ASS'Y, MINI-BOX, WITH LOW FORCE CONTACTS |             |
| FINISH .000050 GOLD IN CONTACT AREA, TIN-LEAD ON TAILS   |               |               |    | APPD 2-2-93 T. ALEXANDER |               | SIZE D 00779 DRAWING NO 448285                           |             |
| SCALE 5:1  |               |               |    | APPLICATION SPEC -       |               | SHEET 1 OF 1   |             |

单击下面可查看定价，库存，交付和生命周期等信息

[>>TE Connectivity\(泰科\)](#)