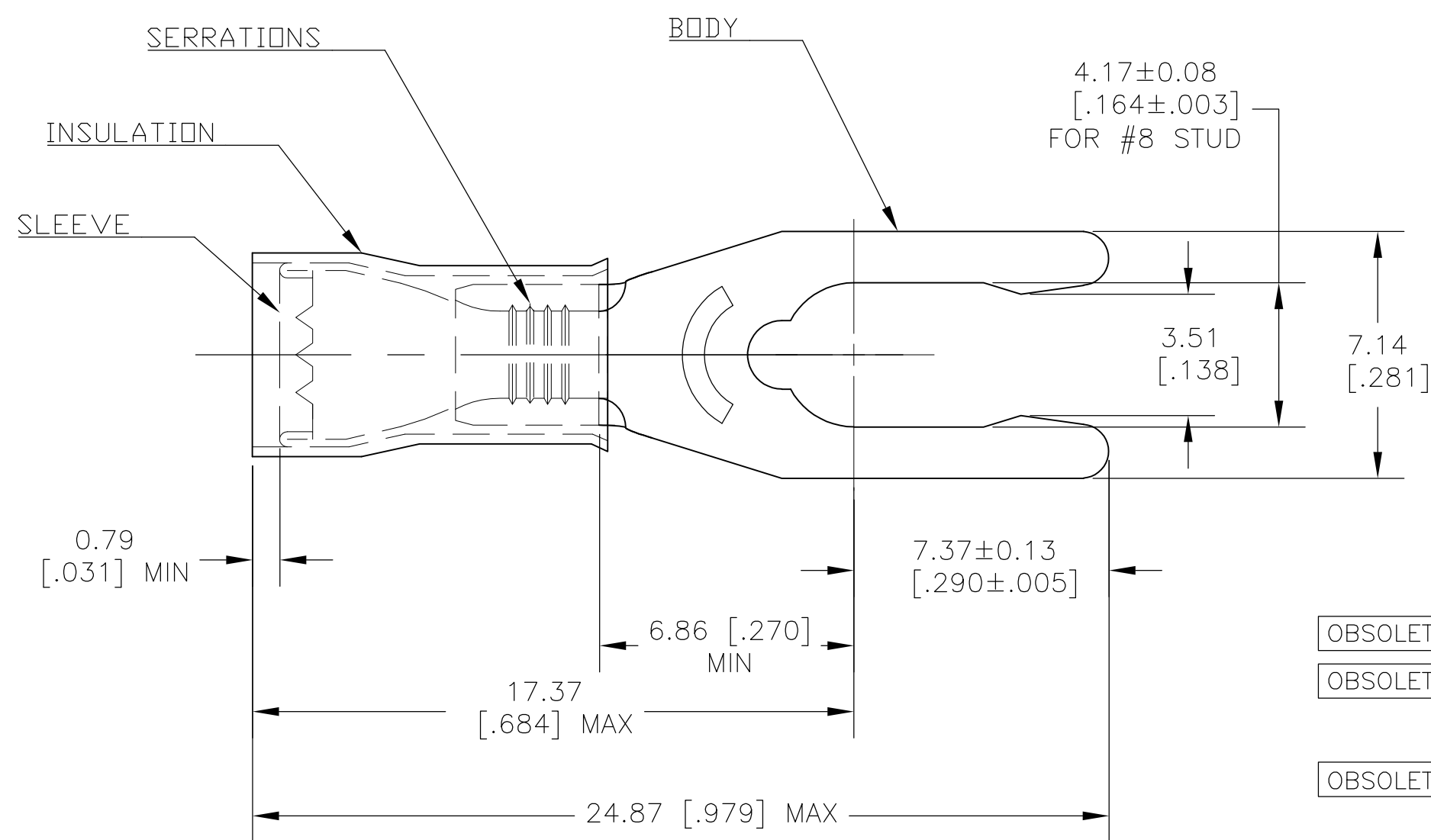


THIS DRAWING IS UNPUBLISHED. RELEASED FOR PUBLICATION
 © COPYRIGHT - By - ALL RIGHTS RESERVED.

LOC	DIST	REVISIONS					
		P	LTR	DESCRIPTION	DATE	DWN	APVD
G	14		H2	REVISED PER ECO-11-004820	11MAR11	RK	HMR

- 1 WIRE INSULATION DIA, SEE TABLE "A"
- 2 TONGUE MATL THK, 0.789±0.05 [.031±.002].
- 3 BODY: PHOS BRONZE PER ASTM B103
INSULATION: NYLON
SLEEVE: COPPER PER ASTM B152
- 4 BODY: TIN PLATE PER ASTM B545
SLEEVE: TIN PLATE PER ASTM B545
INSULATION: COLOR-BLUE



	.115-.170	100	LOOSE PIECE, BOX	9-52421-1
	.105-.150	100	LOOSE PIECE, BOX	8-52421-1
OBSOLETE	.115-.170	100	ON TAPE, SM BOX	52421-5
OBSOLETE	.115-.170	1000	ON TAPE, LG BOX	52421-4
	.115-.170	5000	ON TAPE, REEL	52421-3
OBSOLETE	.105-.150	5000	ON TAPE, REEL	52421-2
	.115-.170	--	LOOSE PIECE	52421-1
	.105-.150	--	LOOSE PIECE	52421
	DIM "A"	QTY	PACKAGE TYPE	PART NO

THIS DRAWING IS A CONTROLLED DOCUMENT.		DWN jr_ruth 14MAY10	STE TE Connectivity			
DIMENSIONS: MM [INCHES]		CHK TOM MICHIELUTTI 14MAY10				
TOLERANCES UNLESS OTHERWISE SPECIFIED:		APVD TOM MICHIELUTTI 14MAY10	NAME TERMINAL, PIDG, SPRING SPADE, WIRE SIZE: 16-14			
0 PLC ± - 1 PLC ± - 2 PLC ± 0.2 [.008] 3 PLC ± - 4 PLC ± - ANGLES ± 5°		PRODUCT SPEC -	APPLICATION SPEC -			
MATERIAL	FINISH	WEIGHT	SIZE	CAGE CODE	DRAWING NO	RESTRICTED TO
3	4	-	A3	00779	C-52421	-
CUSTOMER DRAWING			SCALE	SHEET	REV	
			6:1	1 OF 1	H2	

单击下面可查看定价，库存，交付和生命周期等信息

[>>TE Connectivity\(泰科\)](#)