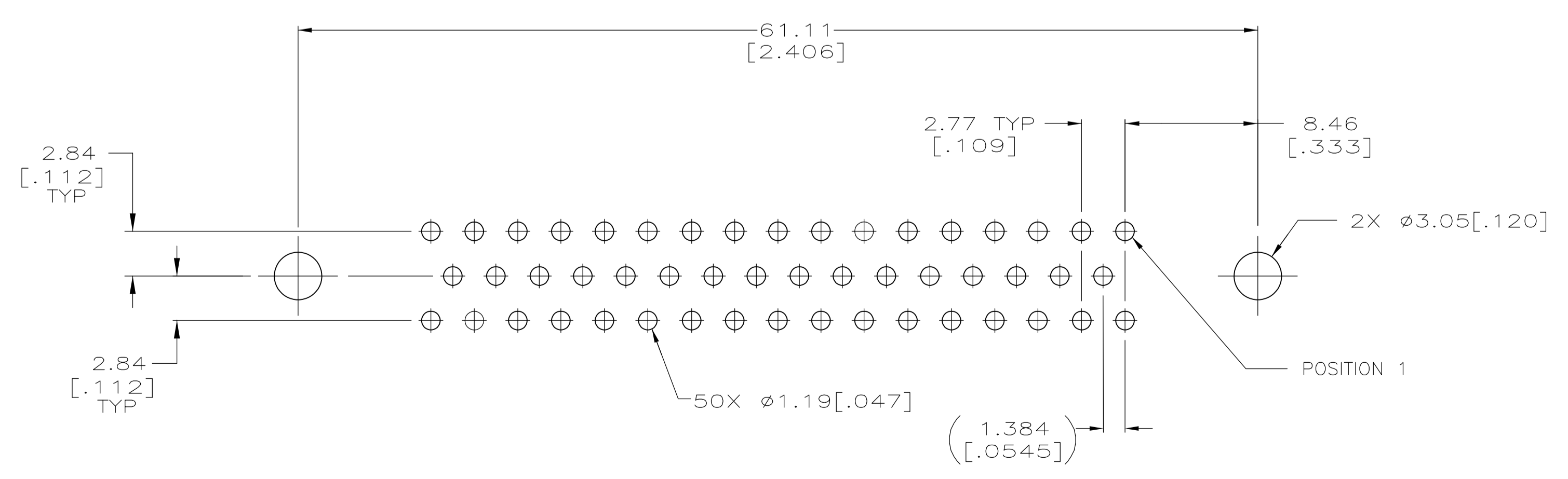
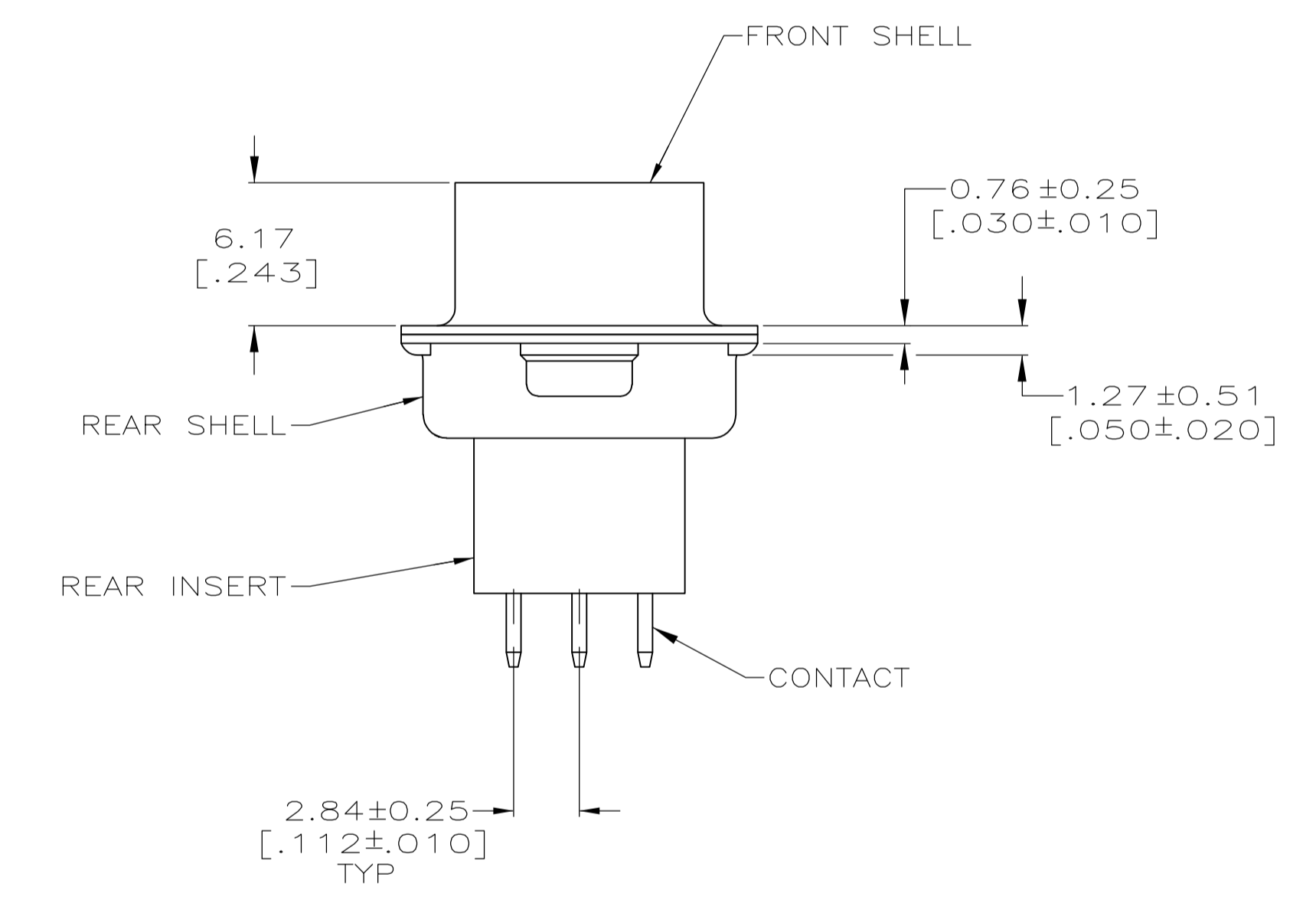
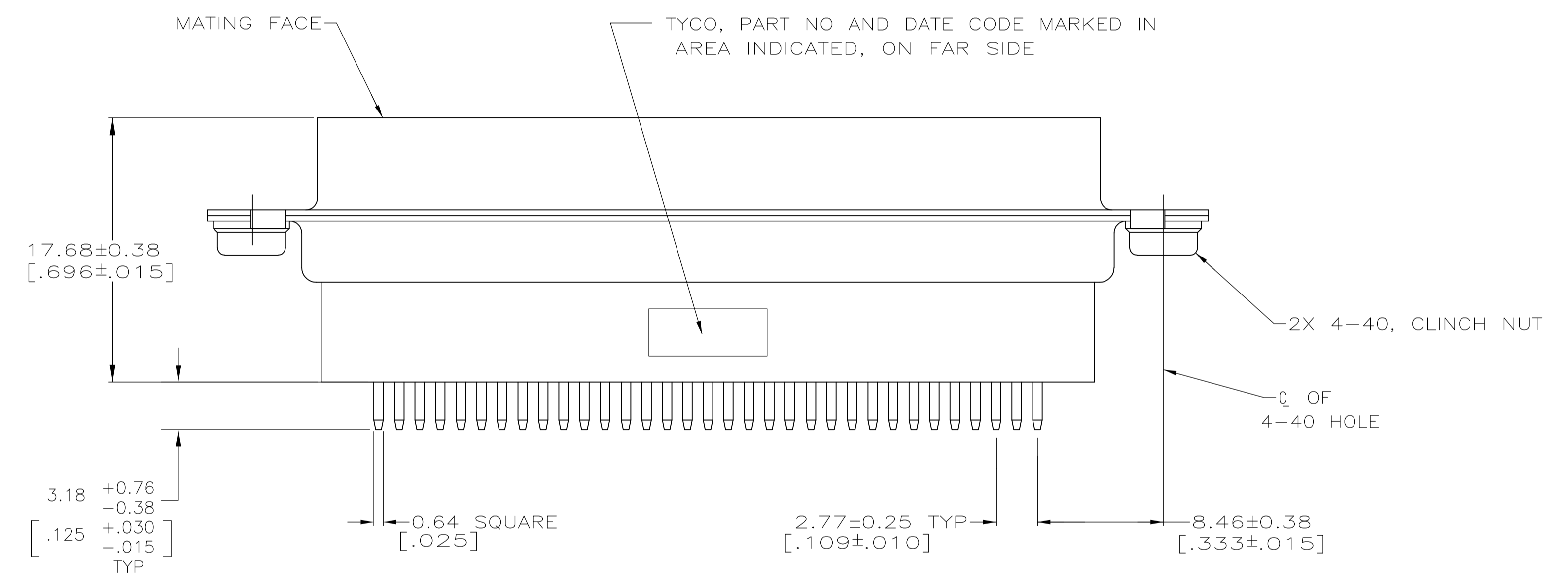


- 1 MOLDDED PARTS: GLASS-FILLED NYLON, UL 94V-0 RATED, COLOR BLACK.
 CONTACTS: PHOSPHOR BRONZE.
 SHELLS: CARBON STEEL.
 CLINCH NUTS: CARBON STEEL.
- 2 SHELLS: 5.08µm [.000200] MIN TIN OVER 2.54µm [.000100] MIN COPPER.
 CLINCH NUTS: 5.08µm [.000200] MIN ZINC WITH CLEAR CHROMATE COATING.
 CONTACTS: 0.76µm [.000030] MIN GOLD FOR A LENGTH OF 2.54 [.100] MIN FROM MATING END, 2.54µm [.000100] MIN TIN ON OPPOSITE END, BOTH OVER 1.27µm [.000050] MIN NICKEL.
 -OR-
 GOLD FLASH OVER PALLADIUM-NICKEL 0.76µm [.000030] MIN TOTAL, PLATED FOR A LENGTH OF 2.54 [.100] MIN FROM MATING END, 2.54µm [.000100] MIN TIN ON OPPOSITE END, BOTH OVER 1.27µm [.000050] MIN NICKEL.



5747302-1
PART NO

THIS DRAWING IS A CONTROLLED DOCUMENT.		DIN B. LATTUCA 16NOV05	Tyco Electronics Corporation Harrisburg, PA 17105-3608
DIMENSIONS: mm [INCHES]		CHK S. BOLASH 16NOV05	
TOLERANCES UNLESS OTHERWISE SPECIFIED:		APP'D M. WALMSLEY 16NOV05	NAME RECEPTACLE ASSEMBLY, SIZE 5, 50 POSN, VERTICAL, FRONT METAL SHELL, AMPLIMITE HD-20
0 PLC ± -		PRODUCT SPEC 108-40025	
1 PLC ± -		APPLICATION SPEC 114-40013	SIZE A1
2 PLC ± 0.13 [.005]		WEIGHT -	CAGE CODE 00779
3 PLC ± -		FINISH	DRAWING NO 5747302
4 PLC ± -		MATERIAL	RESTRICTED TO -
ANGLES ± -		1	CUSTOMER DRAWING
		2	SCALE NTS SHEET 1 OF 1 REV C

单击下面可查看定价，库存，交付和生命周期等信息

[>>TE Connectivity\(泰科\)](#)